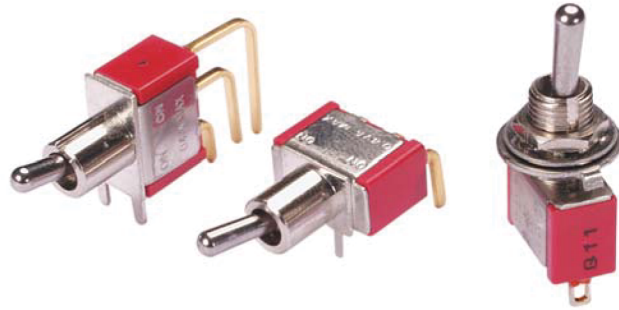


SERIES 34A Miniature Toggle Switches

FEATURES

- Save Space and Weight
- SPDT, DPDT, 3PDT, and 4PDT Circuitry
- Choice of Actuators, Bushings and Terminations
- UL Recognized

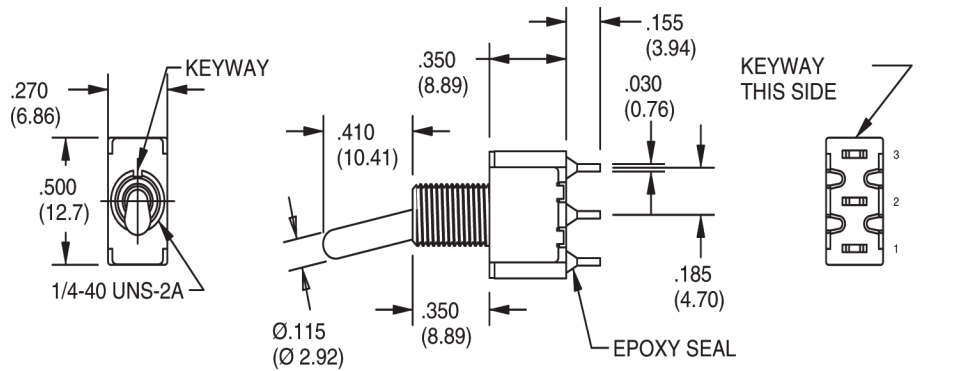


MODELS In inches (and millimeters)

SPDT

| MODEL NO. | SWITCH POSITION | | |
|-------------|-----------------|------|------|
| | ON | NONE | ON |
| SP1 | ON | NONE | ON |
| SP2 | ON | NONE | (ON) |
| SP3 | ON | OFF | (ON) |
| SP4 | (ON) | OFF | (ON) |
| SP5 | ON | OFF | (ON) |
| TERM. COMM. | 2-3 | OPEN | 2-1 |

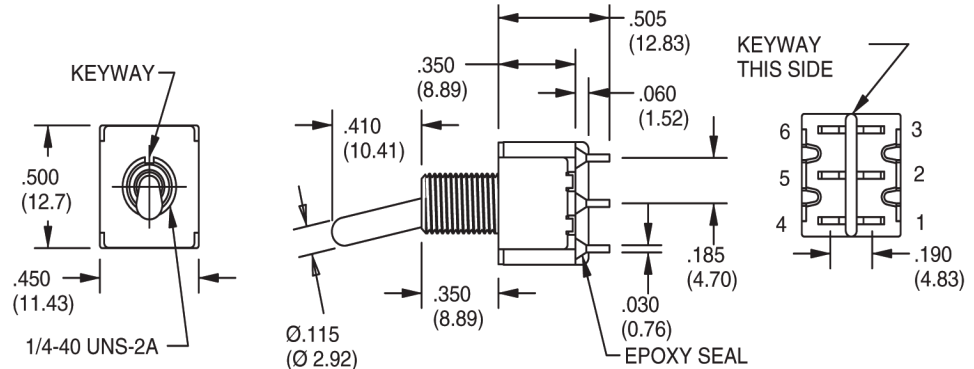
()=MOMENTARY



DPDT

| MODEL NO. | SWITCH POSITION | | |
|-------------|-----------------|------|----------|
| | ON | NONE | ON |
| DP1 | ON | NONE | ON |
| DP2 | ON | NONE | (ON) |
| DP3 | ON | OFF | (ON) |
| DP4 | (ON) | OFF | (ON) |
| DP5 | ON | OFF | (ON) |
| TERM. COMM. | 2-3, 5-6 | OPEN | 2-1, 5-4 |

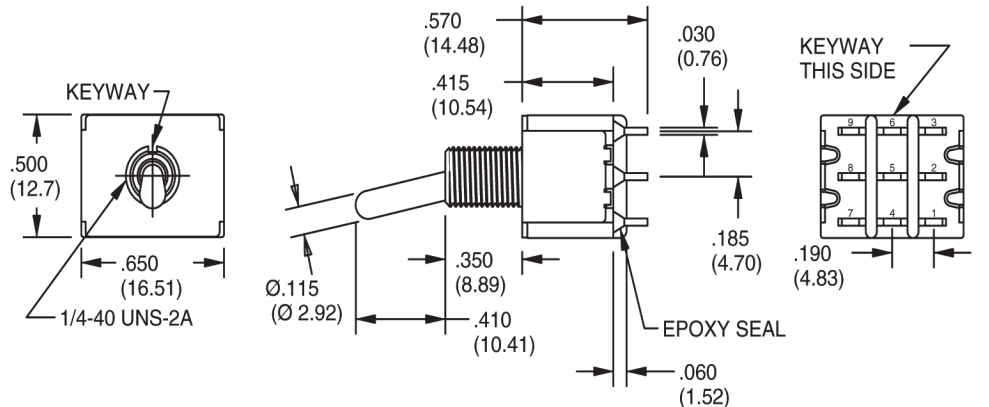
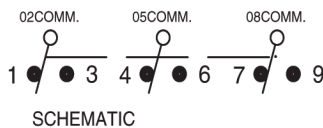
()=MOMENTARY



3PDT

| MODEL NO. | SWITCH POSITION | | |
|-------------|-----------------|------|--------------|
| | ON | NONE | ON |
| 3P1 | ON | NONE | ON |
| 3P2 | ON | NONE | (ON) |
| 3P3 | ON | OFF | ON |
| 3P4 | (ON) | OFF | (ON) |
| 3P5 | ON | OFF | (ON) |
| TERM. COMM. | 2-3,5-6, 8-9 | OPEN | 2-1,5-4, 8-7 |

()=MOMENTARY



MODELS In inches (and millimeters)

4PDT

| MODEL NO. | SWITCH POSITION | | |
|-------------|----------------------|------|----------------------|
| 4P1 | ON | NONE | ON |
| 4P2 | ON | NONE | (ON) |
| 4P3 | ON | OFF | ON |
| 4P4 | (ON) | OFF | (ON) |
| 4P5 | ON | OFF | (ON) |
| TERM. COMM. | 2-3,5-6 8-9,11-12 | OPEN | 2-1,5-4 8-7,11-10 |

()=MOMENTARY

SCALE:1.5:1

KEYWAY THIS SIDE

Ø.115 (Ø 2.92)

EPOXY SEAL

SCHEMATIC

02COMM. 05COMM. 08COMM. 011COMM.

ACTUATOR OPTIONS In inches (and millimeters)

| | | | | |
|---|--|--|-----------------------------|--|
| <p>1 Std</p> | <p>2</p> | <p>3</p> | <p>4</p> | <p>5</p> |
| <p>6</p> <p>Use with Bushing Options T1, T2, T5 and T6 only.</p> | <p>7</p> <p>Use T7 Bushing Option only.</p> | <p>8</p> <p>Use T7 Bushing Option only.</p> | <p>9 Nylon Black</p> | <p>L THD. (STD.) N NON-THD</p> |

Actuators 1-5 shown with standard B1 bushing. Add .070 (1.78) for B3, subtract .020 (0.51) for B6 bushing.

BUSHING OPTIONS In inches (and millimeters)

| | | | | |
|--|--|------------------------------|-------------------------------|------------------|
| <p>B1 Thd (Std) B2 Non-Thd</p> | <p>B3 Thd B4 Non-Thd</p> | <p>B5 High Torque</p> | <p>B6 High Torque</p> | |
| <p>B7 Long</p> | | <p>B8 Metric</p> | <p>B9 Splash-Proof</p> | |
| <p>T1</p> | <p>T2</p> | <p>T5</p> | <p>T6</p> | <p>T7</p> |

PANEL MOUNTING In inches (and millimeters)

| | |
|-----------------------|--|
| <p>1/4" BUSHING</p> | |
| <p>15/32" BUSHING</p> | |
| <p>METRIC BUSHING</p> | |

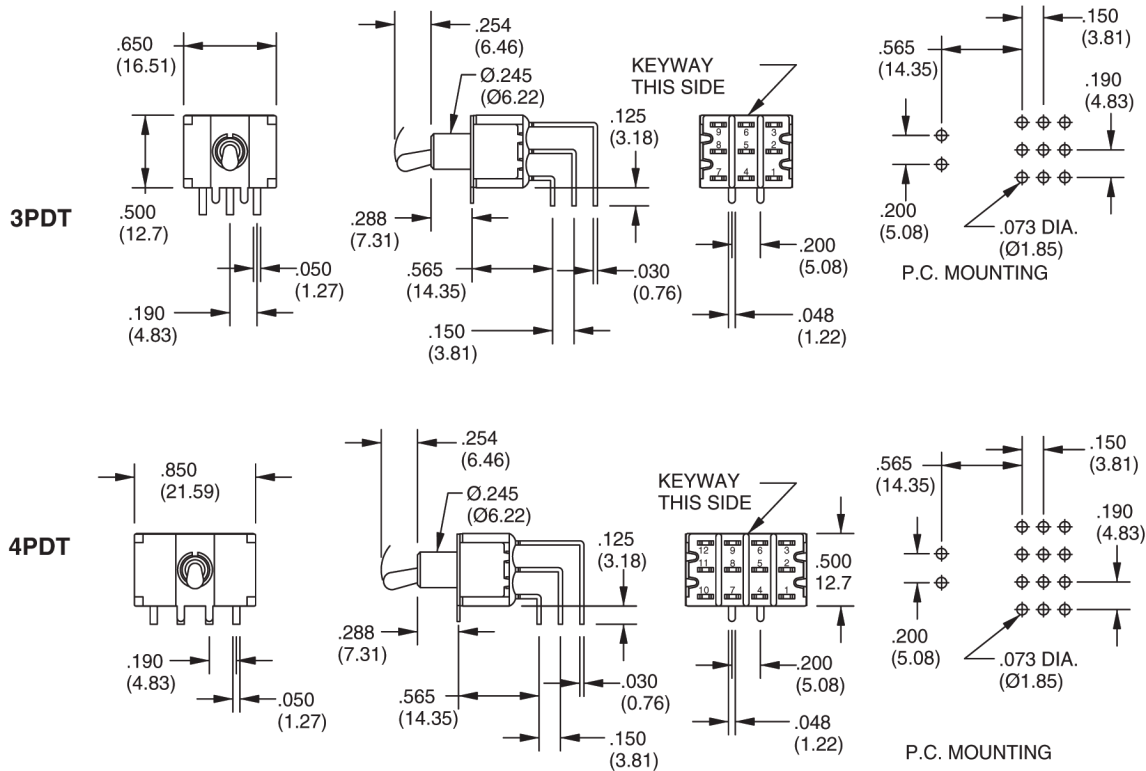
Toggle Switches

TERMINATION OPTIONS In inches (and millimeters)

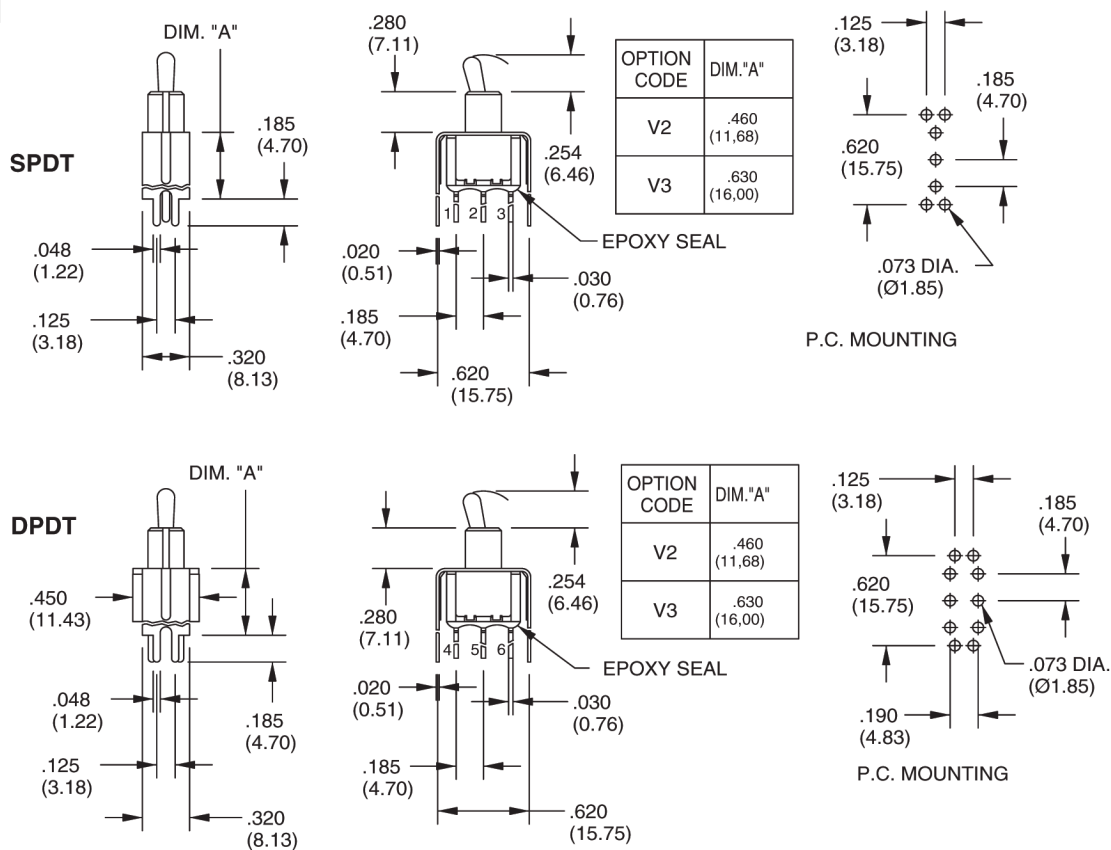
| <p>M1 Solder Lug (Std)</p> <p>THK. .030 (0.76)</p> | <p>M2 P.C. Mount</p> <p>THK. .030 (0.76)</p> | <p>M3 P.C. Mount, Quick Connect</p> <p>.030 (0.76) THK.</p> | <p>WX</p> <table border="1"> <thead> <tr> <th>OPTION CODE</th> <th>DIM. "A"</th> </tr> </thead> <tbody> <tr> <td>W1</td> <td>.750(19.05)</td> </tr> <tr> <td>W2</td> <td>.964(24.48)</td> </tr> <tr> <td>W3</td> <td>.425(10.80)</td> </tr> <tr> <td>W4</td> <td>1.062(26.97)</td> </tr> </tbody> </table> <p>WIRE WRAP</p> | OPTION CODE | DIM. "A" | W1 | .750(19.05) | W2 | .964(24.48) | W3 | .425(10.80) | W4 | 1.062(26.97) |
|--|---|--|--|-------------|----------|----|-------------|----|-------------|----|-------------|----|--------------|
| OPTION CODE | DIM. "A" | | | | | | | | | | | | |
| W1 | .750(19.05) | | | | | | | | | | | | |
| W2 | .964(24.48) | | | | | | | | | | | | |
| W3 | .425(10.80) | | | | | | | | | | | | |
| W4 | 1.062(26.97) | | | | | | | | | | | | |
| <p>M6 Right Angle P.C. Mount, Horizontal Actuation</p> <p>SPDT</p> <p>DPDT</p> <p>KEYWAY THIS SIDE</p> <p>P.C. MOUNTING</p> | | | | | | | | | | | | | |
| <p>M7 Right Angle P.C. Mount, Vertical Actuation</p> <p>SPDT</p> <p>DPDT</p> <p>KEYWAY THIS SIDE</p> <p>P.C. MOUNTING</p> | | | | | | | | | | | | | |

TERMINATION OPTIONS In inches (and millimeters)

M7 Right Angle P.C. Mount, Vertical Actuation



V2-V3 Vertical Bracket P.C. Mount



SPECIFICATIONS

RATINGS

Contact Rating: Q option - 5A with resistive load @ 125VAC or 28 VDC; 2A with resistive load @ 250 VAC. R option-0.4 VA max @ 20 Vmax (AC or DC)
Electrical Life: 40,000 make-and-break cycles at full load

Contact Resistance: 10 milliohms max. initial @ 2-4 VDC, 100 mA for both gold & silver contacts
Insulation Resistance: 1,000 megaohms minimum
Dielectric Strength: 1,000 V RMS @ sea level
Operating Temperature: -30°C to 85°C

UL Recognition: File number is E35289

MATERIALS

Case: Diallyl phthalate (DAP) (UL94V-0)
Toggle Handle: Brass, chrome-plated
Bushing: Brass, nickel-plated
Housing: Stainless steel

ORDERING INFORMATION

34ASP12B4M2RT

Series 34A Miniature Toggle Switch
 Model: SPDT: SP1, SP2, SP3, SP4, SP5,
 DPDT: DP1, DP2, DP3, DP4, DP5
 3PDT: 3P1, 3P2, 3P3, 3P4, 3P5
 4PDT: 4P1, 4P2, 4P3, 4P4, 4P5
 (See Model options)
 Actuator Options: 1, 2, 3, 4, 5, 6, 7, 8, 9, L, N
 (See Actuator options.)
 Bushing Options: B1, B2, B3, B4, B5, B6, B7, B8, B9, T1, T2, T5, T6
 (See Bushing options.)

RoHS Compliant

Contact: R: Copper alloy, gold plate over nickel plate;
 Q: Copper alloy, silver plated;
 G: Copper alloy over gold plate over silver plate

Termination Options: M1, M2, M3, M6, M7, V2, V3, W1, W2, W3, W4
 (See Termination options.)

Toggle Switches

HARDWARE In inches (and millimeters)

NUTS

| Series 34A (Std) | Dress Nut | For Actuator Options 7, 8 (Std) | Knurled Nut (Sealed) |
|---|---|---|--|
| .180 DIA (ø4.56) .312 (7.92) 1/4-40UNS .062 (1.57) HDW2 | .352 (8.94) .372 DIA (ø9.45) 1/4-40UNS .118 (3.00) HDW3 | .562 (14.27) 15/32-32NS .078 (1.98) HDW4 | .638 DIA (ø16.21) 15/32-32NS .174 (4.42) HDW5 |

| LOCKING RINGS | LOCK WASHERS | | | | | | | | |
|---|---|---------------------------|--|---|---|------------------|---------------------------|--|---|
| <table border="1"> <thead> <tr> <th>Series 34A (Std)</th> <th>For Actuator Options 7, 8</th> </tr> </thead> <tbody> <tr> <td> .476 DIA (ø12.1) .252 DIA (ø6.40) .109 DIA (ø2.76) .063 (1.60) HDW15 </td> <td> .476 DIA (ø12.1) .031 (0.78) .252 DIA (ø6.40) .109 DIA (ø2.76) .063 (1.60) HDW16 </td> </tr> </tbody> </table> | Series 34A (Std) | For Actuator Options 7, 8 | .476 DIA (ø12.1) .252 DIA (ø6.40) .109 DIA (ø2.76) .063 (1.60) HDW15 | .476 DIA (ø12.1) .031 (0.78) .252 DIA (ø6.40) .109 DIA (ø2.76) .063 (1.60) HDW16 | <table border="1"> <thead> <tr> <th>Series 34A (Std)</th> <th>For Actuator Options 7, 8</th> </tr> </thead> <tbody> <tr> <td> .42B DIA (ø10.86) .251 DIA (ø6.38) THK (0.52) .02 HDW11 </td> <td> .620 DIA (ø15.74) .473 DIA (ø12.02) (0.52) .02 THK HDW12 </td> </tr> </tbody> </table> | Series 34A (Std) | For Actuator Options 7, 8 | .42B DIA (ø10.86) .251 DIA (ø6.38) THK (0.52) .02 HDW11 | .620 DIA (ø15.74) .473 DIA (ø12.02) (0.52) .02 THK HDW12 |
| Series 34A (Std) | For Actuator Options 7, 8 | | | | | | | | |
| .476 DIA (ø12.1) .252 DIA (ø6.40) .109 DIA (ø2.76) .063 (1.60) HDW15 | .476 DIA (ø12.1) .031 (0.78) .252 DIA (ø6.40) .109 DIA (ø2.76) .063 (1.60) HDW16 | | | | | | | | |
| Series 34A (Std) | For Actuator Options 7, 8 | | | | | | | | |
| .42B DIA (ø10.86) .251 DIA (ø6.38) THK (0.52) .02 HDW11 | .620 DIA (ø15.74) .473 DIA (ø12.02) (0.52) .02 THK HDW12 | | | | | | | | |