

NR / NRU Liquid-Level Controllers

You are in: [Crouzet Products](#) / [Automation Controls](#) / [Control Relays](#) / [Liquid Level Controllers](#) / [NR\(U\)](#)

PRODUCT FEATURES

NRU Series Liquid-Level Control

- Pump-up controller
- 8-pin, 11-pin, or DIN mount options
- Sensitivity adjustable from 4.7K to 47K Ohms
- 10 amp SPDT output relay

NR Series Liquid-Level Control

- Pump-down controller
- 8-pin, 11-pin, or DIN mount options
- Sensitivity adjustable from 4.7K to 47K Ohms
- 10 amp SPDT output relay



NRU Series Liquid-Level Controllers (Pump-Up)

Mounting Style	Input Power	Output	Series	Part number
Din Mount	24 V AC	SPDT	NRU	DNRU24A
Din Mount	48 V AC	SPDT	NRU	DNRU48A
Din Mount	110 V AC	SPDT	NRU	DNRU110A
Din Mount	220 V AC	SPDT	NRU	DNRU220A
11 Pin-in	24 V AC	SPDT	NRU	LNRU24A
11 Pin-in	48 V AC	SPDT	NRU	LNRU48A
11 Pin-in	110 V AC	SPDT	NRU	LNRU110A
11 Pin-in	220 V AC	SPDT	NRU	LNRU220A
8 Pin-in	24 V AC	SPDT	NRU	PNRU24A
8 Pin-in	48 V AC	SPDT	NRU	PNRU48A
8 Pin-in	110 V AC	SPDT	NRU	PNRU110A
8 Pin-in	220 V AC	SPDT	NRU	PNRU220A

NR Series Liquid-Level Controllers (Pump-Down)

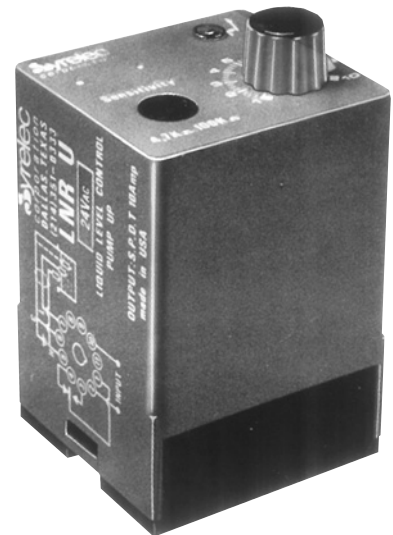
Mounting Style	Input Power	Output	Series	Part number
Din Mount	24 V AC	SPDT	NR	DNR24A
Din Mount	48 V AC	SPDT	NR	DNR48A
Din Mount	110 V AC	SPDT	NR	DNR110A
Din Mount	220 V AC	SPDT	NR	DNR220A
11 Pin-in	24 V AC	SPDT	NR	LNR24A
11 Pin-in	48 V AC	SPDT	NR	LNR48A
11 Pin-in	110 V AC	SPDT	NR	LNR110A
11 Pin-in	220 V AC	SPDT	NR	LNR220A

8 Pin-in	24 V AC	SPDT	NR	<u>PNR24A</u>
8 Pin-in	48 V AC	SPDT	NR	<u>PNR48A</u>
8 Pin-in	110 V AC	SPDT	NR	<u>PNR110A</u>
8 Pin-in	220 V AC	SPDT	NR	<u>PNR220A</u>

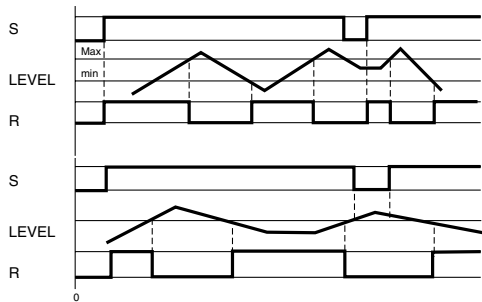
NRU SERIES

LIQUID LEVEL CONTROL PUMP UP

UL listed CSA recognized



- LED Relay Indicator
- Three Styles
- Pump Up Control
- 4.7 kΩ to 100 kΩ Sensitivity
- 10 Amp SPDT Relay



SPECIFICATIONS:

Input Power	.24, 48, 110, 220 VAC, ±15% (50/60 Hz)	
Maximum voltage	24 VAC: 1.5 VA	
	48 VAC: 1.7 VA	
	110 VAC: 2 VA	
	220 VAC: 2 VA	
Output	SPDT Relay	
Contact material	AgCdO	
Maximum loading	10A AC resistive	8A DC resistive
Maximum switching voltage	250 VAC	250 VDC
Maximum power rating	2500 VA	80 W
Electrical life	2 x 10 ⁶ at 2200 VA resistive load	
Mechanical life	3 x 10 ⁷ operations	
Probe isolation	Electrodes: 2000 VAC	
Probe sensitivity	4.7 K to 100 K ohms	
Probe voltage	24 VAC, 60 Hz	
Probe current	.2 mA max.	
Operating temperature	+14°F to +140°F	-10°C to +60°C
Weight	.7 oz. (200g)	

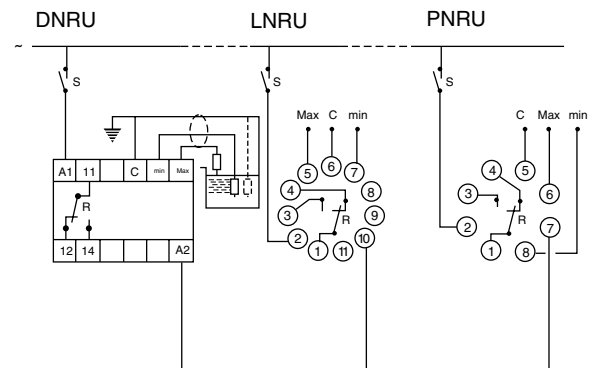
Note: The cable for probes (max 300ft) should be run in separate conduit. A shielded cable is recommended.

Control of conductive liquids (tap water, sea water, sewage, chemical solutions, coffee, ice cream, etc.)

The relay is energized when the level falls below the low level probe. It de-energizes when the high level probe is reached. The NRU will also control a single level. In this case, a single probe is used and the relay operates when the probe is not immersed. The Max terminal is connected to common with a jumper.

In either case, a common electrode is needed if the container is non-conductive.

WIRING DIAGRAM:

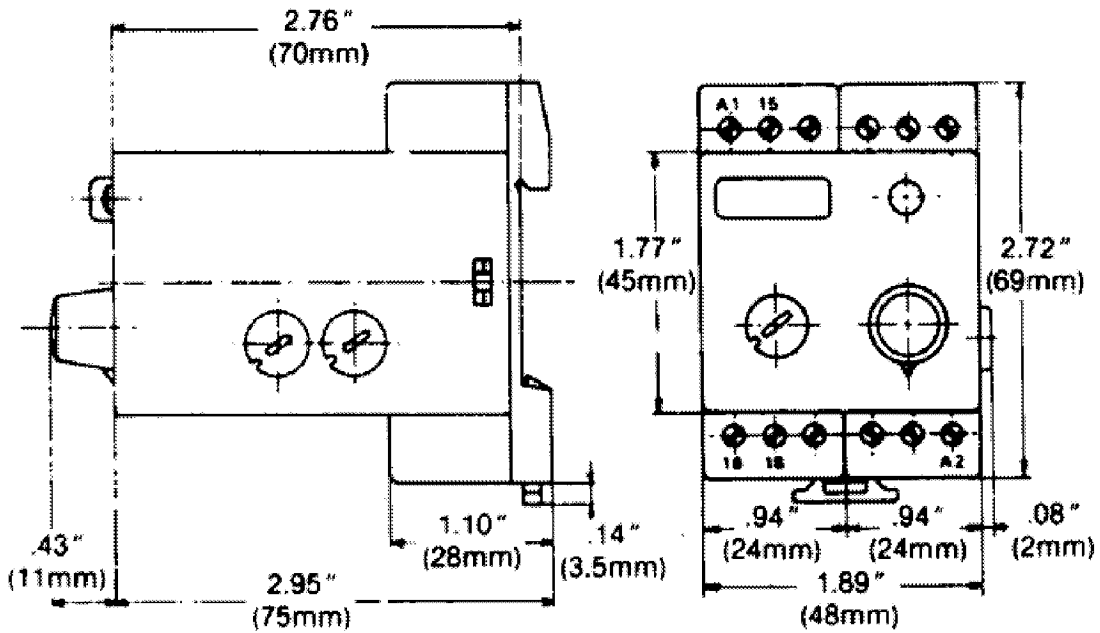


ORDERING INFORMATION:



DIMENSIONS:

D - DIN-Rail



L & P - Sockets

