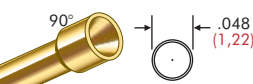
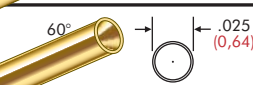
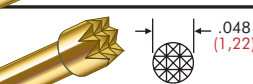
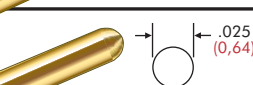
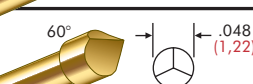
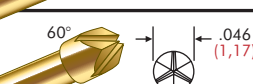
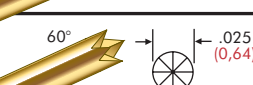


BeCu PLUNGERS

	$\leftarrow .048 \text{ (1,22)}$	A <small>NEW</small>
	$\leftarrow .025 \text{ (0,64)}$	G <small>NEW</small>
	$\leftarrow .048 \text{ (1,22)}$	H
	$\leftarrow .025 \text{ (0,64)}$	J <small>NEW</small>
	$\leftarrow .048 \text{ (1,22)}$	T
	$\leftarrow .046 \text{ (1,17)}$	TX
	$\leftarrow .025 \text{ (0,64)}$	U

STEEL PLUNGERS

	$\leftarrow .025 \text{ (0,64)}$	M <small>NEW</small>
	$\leftarrow .048 \text{ (1,22)}$	NT
	$\leftarrow .048 \text{ (1,22)}$	R <small>NEW</small>
	$\leftarrow .025 \text{ (0,64)}$	S
	$\leftarrow .025 \text{ (0,64)}$	SP
	$\leftarrow .025 \text{ (0,64)}$	SW <small>NEW</small>
	$\leftarrow .025 \text{ (0,64)}$	SWS
	$\leftarrow .025 \text{ (0,64)}$	U
	$\leftarrow .018 \text{ (0,46)}$ $\leftarrow .025 \text{ (0,64)}$	UR

PROBE SPECIFICATIONS

Minimum Centers: .075 (1,91)
 Current Rating: 3 amps continuous
 Spring Force: 3.0, 5.0, 7.0 or 10.0 oz. @ .170 (4,32) travel
 Contact Resistance: < 15 mΩ
 Working Travel: .170 (4,32)

Rated Force oz (gms)	Preload oz (gms)
3.0 (85)*	1.2 (34)
5.0 (142)	2.0 (57)
7.0 (198)	2.9 (82)
10.0 (283)	3.3 (94)

*3.0 oz spring available in S-075 Series only

RECEPTACLE SPECIFICATIONS

Connections:
 R(X)L-1-CR: Crimp
 R(X)L-1-SC: Solder Cup
 R(X)L-1-WW: Wire Wrap, .025 (0,64) square post, .429 (10,90) or .694 (17,63) length
 R(X)L-1-RP: Round Post .025 (0,64) diameter .375 (9,53) length

Recommended Wire: 24-28 gage
Drill Size: 1,45mm
Mounting Hole Size: .055/.057 (1,40/1,45)

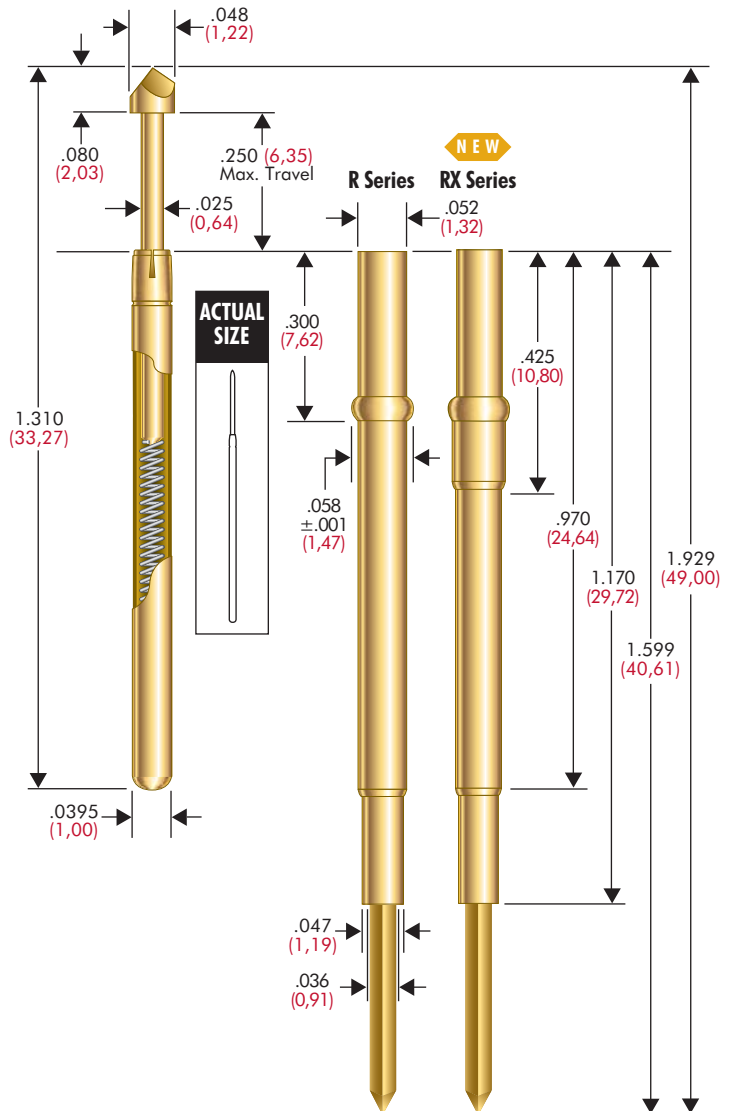
MATERIALS

Barrel: G2
 Spring: Music wire, nickel plated
 Plunger: Full-hard beryllium copper or steel, gold plated over nickel
 Receptacle: Standard: Nickel/silver, gold plated post
 High Performance, gold plated, gold plated post

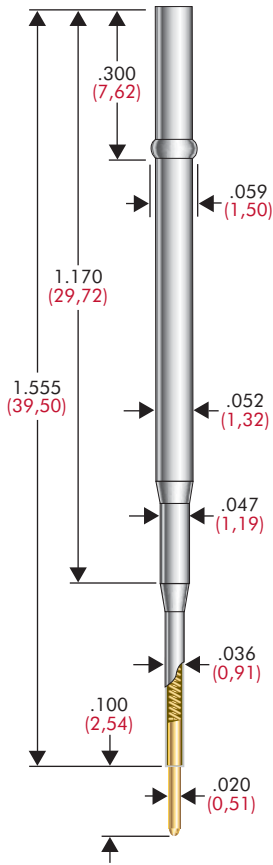
STEEL PLUNGERS (Continued)

	$\leftarrow .048 \text{ (1,22)}$	VLT <small>NEW</small>
	$\leftarrow .048 \text{ (1,22)}$	VT
	$\leftarrow .048 \text{ (1,22)}$	Y

ICT 075 PROBE AND RECEPTACLE



R-75-J-DE



For more information, see page 62.

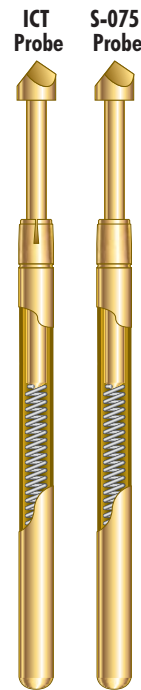
Transitioning to the new S-075 Probe Series

With the publication of this seventh edition of our catalog, IDI will begin the process of transitioning our customers to the new 100 and 75 mil Probe Series. Two sizes are affected:

- Size S-25 probes (page 36) will now transition from our Series S-25 to the new Series S-100
- Size SL-1 probes (page 30) will now transition from our Series SL-1 to the new Series S-075
- Rotator probes are not included in the transition.

Q: What is the S-075 probe?

A: These two new designs are simply the Titanium Pro ICT probe without the bifurcated beams. All of the components are identical, yet the barrel is not bifurcated or split during the manufacturing process. Customers who are not able to use the ICT probe due to rugged or low-force applications may thus still benefit from some elements of its design.



Q: What is the benefit to IDI customers?

A: The S-075 series probes will outperform the SL-1 or SXL-1 series of probes. Because they share many of the attributes of the advanced ICT-075 probes, the S-075 probes have similar electrical characteristics, improved spring capacity and greater plunger strength.

Q: What spring forces are offered?

A: The 3 ounce spring force offered on this page is only available in the S-075 series and not in the ICT-075 Series. Due to the wiping action, a spring force below 5 ounces in an ICT-075 probe has difficulty returning the plunger to the fully extended position.

Q: How will the transition work?

- As our inventory of each SL-1 tip style is exhausted, we will begin to offer that tip style in the S-075. This means that the transition will be occurring on a tip style by tip style basis.
- The S-075 series probes are only available after the plungers for the SL-1 probes have been consumed. Check the IDI website, www.idinet.com, for the latest information on tip style availability.

HOW TO ORDER: SPRING CONTACT PROBE

ICT	075	T	5.0	G	S
SERIES	SIZE	TIP STYLE	SPRING FORCE	PLATING OPTION	STEEL PLUNGER OPTION

SERIES:
ICT: High Performance
S: Standard

SPRING FORCE:
 3.0 oz. @ .170 (4,32) travel*
 5.0 oz. @ .170 (4,32) travel
 7.0 oz. @ .170 (4,32) travel
 10.0 oz. @ .170 (4,32) travel

* S-075 Series only

CRIMPING PLIERS: CPRL1
INSERTION TOOL: RTRL1

RECEPTACLE

RL	1	WW	429
SERIES	SIZE	TERMINATION	POST LENGTH

SERIES:
RL: High Performance
RXL: Improved Pointing Accuracy, High Performance
RS: Standard
RSX: Improved Pointing Accuracy, Standard

TERMINATIONS:
CR: Crimp
SC: Solder Cup
WW: Wire Wrap
RP: Round Post

POST LENGTH:
WW: 429 or 694
RP: 375

View updates of this information at <http://www.idinet.com>

Specifications subject to change without notice. Dimensions in inches (millimeters)