

3M™ CF Card Header

CompactFlash™ Type II, Long Guides, Surface Mount

7E50 Series



- Headers mate with both CompactFlash™ Type I and Type II cards
- Polarization options for top or bottom boardmount
- Extended guide rails enable accurate and easy card insertion
- Metal brace provides stability for ejector attachment option
- Single row surface mount solder tails facilitate auto placement and IR soldering
- Optional 2 mm board standoff enables board population
- Meets CFA standards for known compatibility and reliability
- Multiple styles of ejector available
- See Regulatory Information Appendix (RIA) for chemical compliance information

Date Modified: November 5, 2007

TS-2083-D
Sheet 1 of 4

Physical

Insulation

Material: High Temperature Thermoplastic
Flammability: UL 94V-0
Color: Beige

Contact

Material: Copper Alloy

Plating

Underplating: 2.03 μm [80 $\mu\text{''}$] Nickel
Wiping Area: 0.38 μm [15 $\mu\text{''}$] or 0.76 μm [30 $\mu\text{''}$] Gold
Solder Tails: 3.81 μm [150 $\mu\text{''}$] Matte Tin or Gold Flash

Marking: 3M Logo

Electrical

Current Rating: 0.5 A
Insulation Resistance: 10^3 M Ω at 500 V_{DC}
Withstanding Voltage: 500 V_{AC} for 1 minute

Environmental

Temperature Rating: -40°C to +85°C
Process Rating: Maximum 260 C (per J-STD-020C)
Moisture Sensitivity Level: 1 (per J-STD-020C)

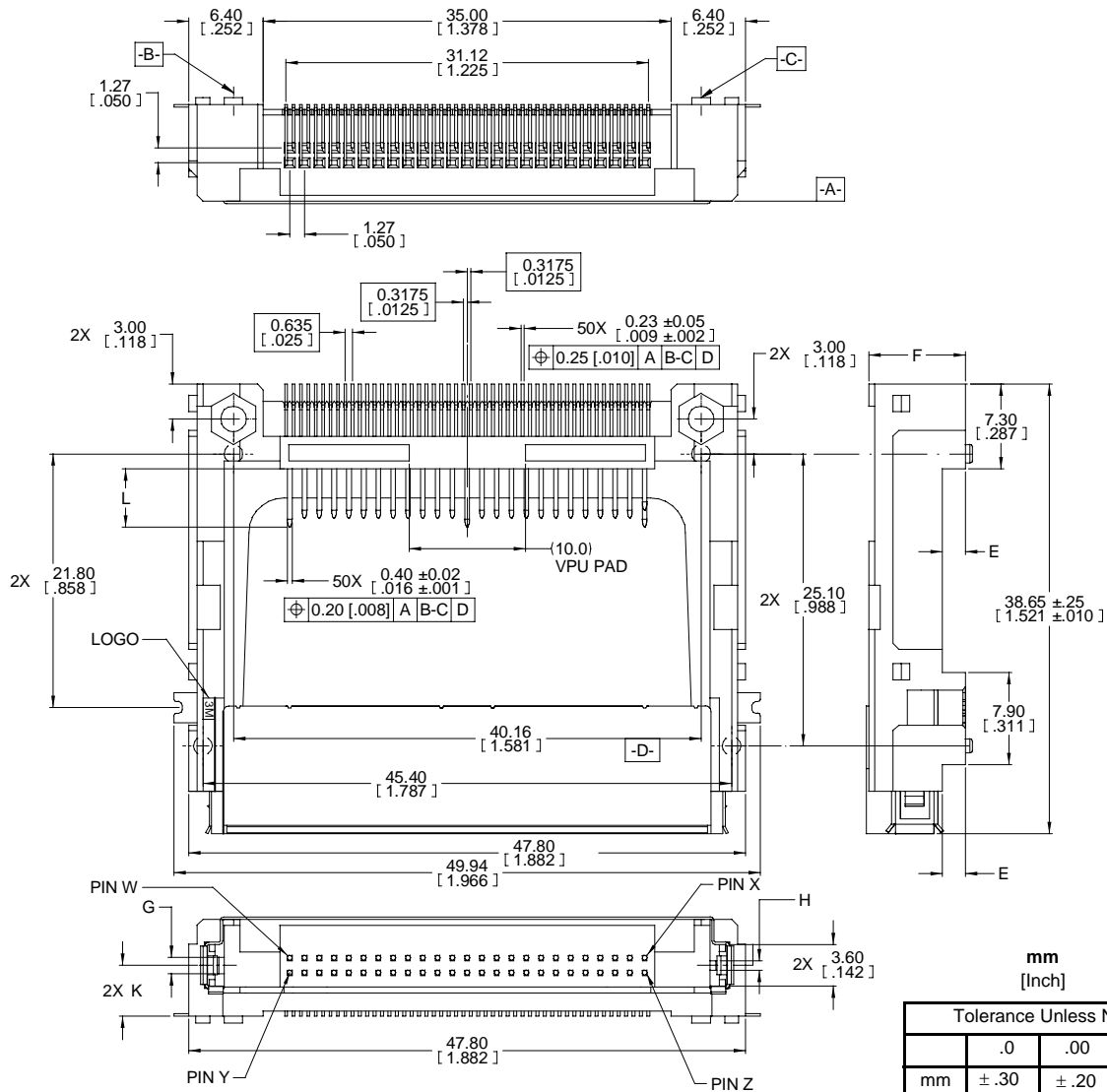
CompactFlash is a registered trademark of Sandisk Corporation.

3M™ CF Card Header

CompactFlash™ Type II, Long Guides, Surface Mount

7E50 Series

Pin Function	L, Pin length Dim	Pin Position
Detect	3.50 mm [.138 "]	25, 26
General Use	4.25 mm [.167 "]	All other pins
Power	5.00 mm [.197 "]	1, 13, 38, 50



Note: See TS-2154 for applicable ejectors.

Ordering Information

N7E50 - X516XX - XX - WF (RIA E1 & C1 apply)

M = CF I & II, 31.60 mm, Normal Type, Metal Guide
 N = CF I & II, 31.60 mm, Inverse Type, Metal Guide
 H = CF I & II, 31.60 mm, Normal Type, Metal Guides (2.00 mm Standoff Only)

Plating Options:
 RA = 0.38 μm [15 μ"] Gold with matte tin tail
 RB = 0.76 μm [30 μ"] Gold with matte tin tail
 EA = 0.38 μm [15 μ"] Gold with Au Flash tail
 EB = 0.76 μm [30 μ"] Gold with Au Flash tail

Board Standoff:
 40 = None
 50 = 2.00 mm [.079"]

Packaging Options:
 Blank = Trays
 WF = Tape and Reel

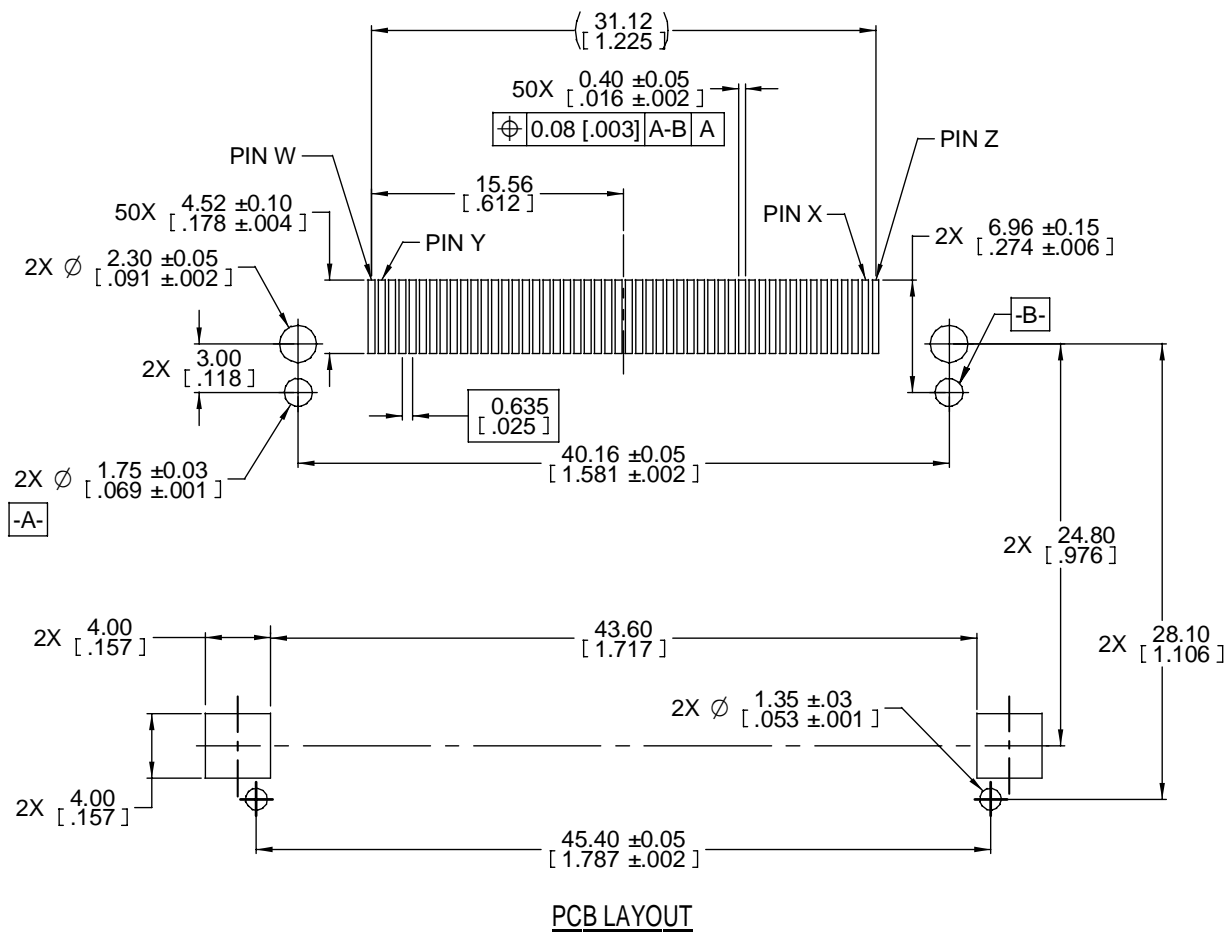
TS-2083-D
 Sheet 2 of 4

3M™ CF Card Header

CompactFlash™ Type II, Long Guides, Surface Mount

7E50 Series

Part Number	E mm [inch]	F mm [inch]	G mm [inch]	H mm [inch]	K mm [inch]	Pin W	Pin X	Pin Y	Pin Z
N7E50-M516XX-40	0.00 [.000]	6.30 [.248]	1.40 [0.55]	0.80 [.031]	2.35 [.093]	Pin 1	Pin 25	Pin 26	Pin 50
N7E50-M516XX-50	2.00 [.079]	8.30 [.328]	1.40 [.055]	0.80 [.031]	4.35 [.171]	Pin 1	Pin 25	Pin 26	Pin 50
N7E50-N516XX-40	0.00 [.000]	6.30 [.248]	0.80 [.031]	1.40 [.055]	3.95 [.156]	Pin 50	Pin 26	Pin 25	Pin 1
N7E50-N516XX-50	2.00 [.079]	8.30 [.328]	0.80 [.031]	1.40 [.055]	5.95 [.234]	Pin 50	Pin 26	Pin 25	Pin 1
N7E50-H516XX-50	2.00 [.079]	7.90 [.311]	1.40 [.055]	0.80 [.031]	4.15 [.163]	Pin 1	Pin 25	Pin 26	Pin 50



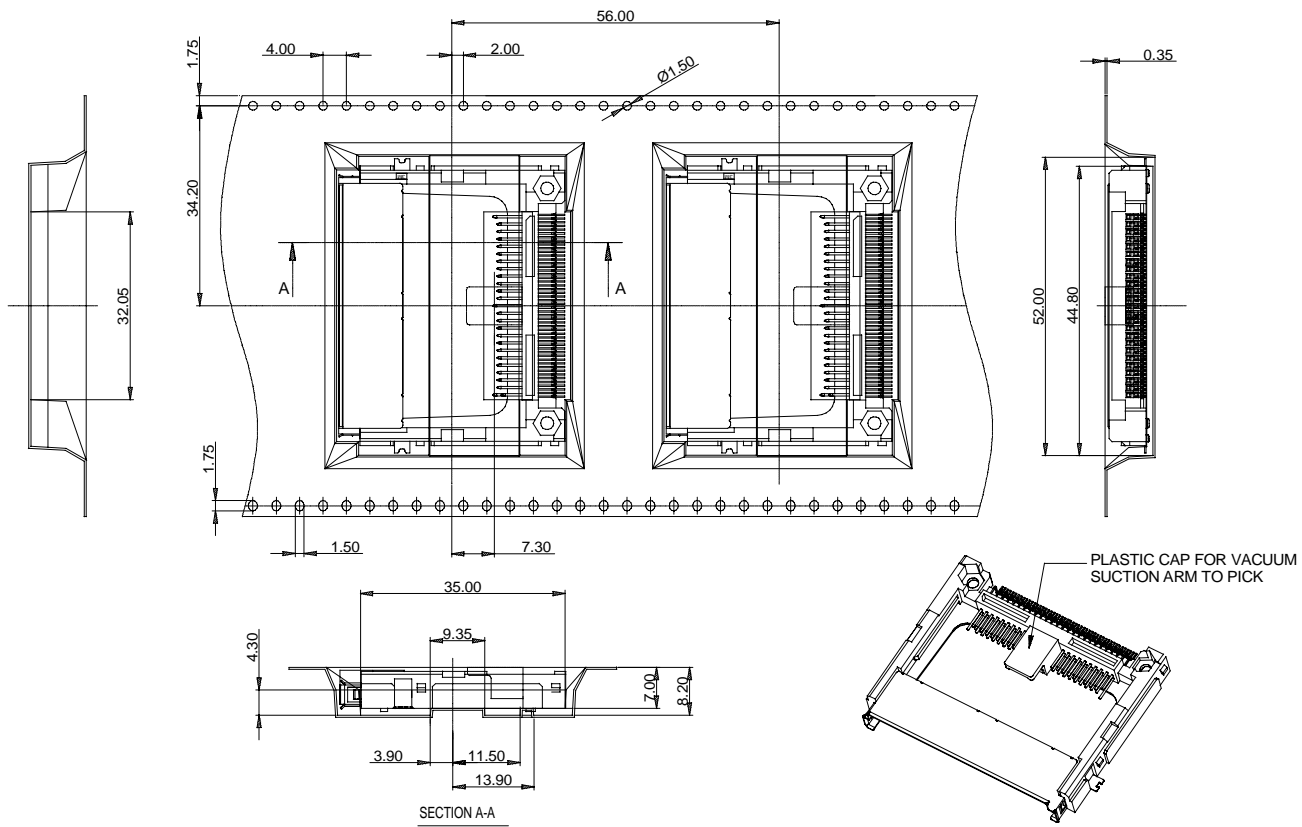
TS-2083-D
Sheet 3 of 4

3M™ CF Card Header

CompactFlash™ Type II, Long Guides, Surface Mount

7E50 Series

Tape and Reel Detail



Notes:

1. Material: PS film
2. Qty: 100 ;cs/reel 4 reels/box
3. Carton size: 725 mm x 375 mm x 320 mm
4. Vacuum cap for suction type pick-n-place equipment

TS-2083-D
Sheet 4 of 4