

**Direct Links** ...

- Cross Reference
- RoHS/LF P/N search
- Document & Drawing search
- Application tooling

**Services** ...

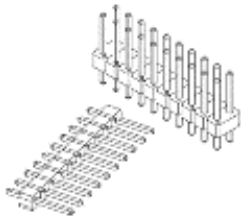
- Contact us
- Distributor list
- Pricing request
- Order samples

**Literature** ...

- Brochures & catalogs
- Product documentation
- Technical library

**68016-436HLF**

Assistant



**68016-436HLF - BergStik®**

**Unshrouded header, Through Hole, Single row, 36 Positions, 2.54 mm Pitch, Right Angle, 5.84 mm (0.23 in.) Mating, 3.05 mm (0.12 in.) Tail**

ACTIVE

Customer Drawing



Electronics division

- Email Datasheet
- Print Datasheet

**FCI Brings You More**

- Contact our sales/technical support
- Sample request
- Price request
- Check distributor stock

**Mating Half**



**75915-336LF** 36 Position PCB Mounted Receptacle Through Mount, Top Entry, Single Row



**76341-336LF** 36 Position PCB Mounted Receptacle Through Mount, Top Entry, Single Row



**71607-336LF** 36 Position Horizontal Card Connector, Surface Mount, Single row

**Download document**

**Technical Resources**

- > 3D IGES
- > RoHS qualification documents
- > Product Specification

**Literature**

- > Basics+ Product Focus
- > Basics+ Brochure
- > Connectors for Medical Devices Brochure
- > Products for MicroTCA and AdvancedMC modules Brochure
- > Connector Overview Brochure
- > Bergstik PIP Brochure

**Application Tooling**

- > Asia Pacific Application Tooling
- > Americas Application Tooling
- > Europe Application Tooling

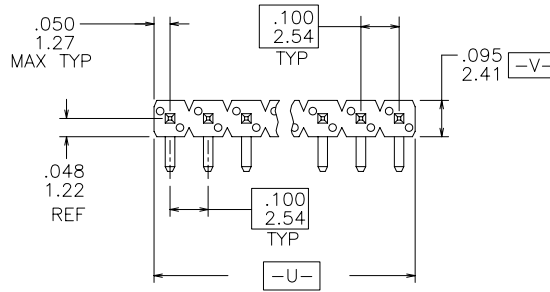
**Specifications**

<b>General</b>	
Number of contacts (per row)	36
Number of contacts (Total)	36
Number of rows	1
Orientation	Right Angle
Packaging	Bulk Packaging
Attachment type (Board)	Through Hole
<b>Dimensional</b>	
Length (Tail)	3.05 mm (0.12 in.)
Mating length	5.84 mm (0.23 in.)
<b>Electrical</b>	
Current rating	3 amp Continuous
Resistance (Insulation)	5000 M ohms
Voltage rating	1500V AC rms
<b>Mechanical</b>	
Retention force	8.88N (2 lbf)
<b>Mounting</b>	
Retention feature (Board)	No
Solder process	Vapor-phase IR reflow soldering processes Compatible with Wave
<b>Physical</b>	
Color (Housing)	Black
Material (Contact)	Phospor Bronze
Material (Housing)	High Temperature Black Thermoplastic
Plating (Contact area)	Tin
Plating (Tail)	Tin
Underplating (Contact)	1.27 µm (50 µin.) Nickel
Flammability rating	UL 94 V-0
Temperature (Range)	-65°C to +125°C
<b>Approvals / Certifications</b>	
Approvals / Certifications	UL and CSA Approved
<b>Other Features</b>	
Comments	Sample kit 950501-016
Literature	950559-001

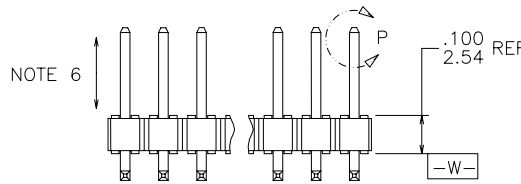
PRODUCT NUMBER

XXXXX-YYY HTLF

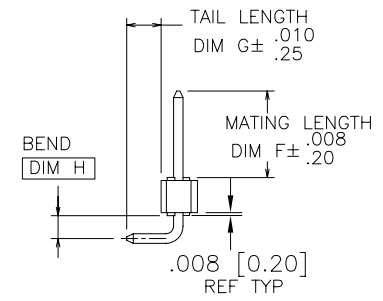
- LEAD FREE OPTION  
SEE NOTE 1,8
- TUBE PACKAGING OPTION  
SEE NOTE 1
- HIGH TEMPERATURE PLASTIC  
SEE NOTE 1
- NO OF POSITIONS  
SEE NOTE 1
- PIN PLATING  
SEE SHEET 2
- BASE PART NO.



TOP VIEW



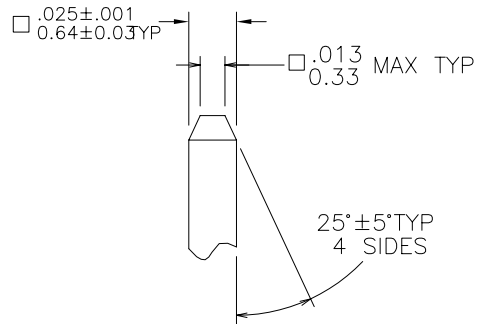
SIDE VIEW



END VIEW

⊕	⌀.020/0.51	M	U	M	V	S	W
---	------------	---	---	---	---	---	---

NOTE 4



DETAIL P  
TYP BOTH ENDS

mat'l. code SEE NOTES 2 & 3		surface ISO 1302 ✓		tolerance ISO 406 ISO 1101		projection INCH/MM		product family BERGSTIK		
ltr		ecn no		dr		date		tolerances unless otherwise specified		
AM	V20790	GIP	04/23/02	angles	linear	.xx±.01/0.3	title BERGSTIK® II HEADER .100/2.54cc SR R/A			
AN	V21800	TAB	12/17/02			.xxx±.005/0.13	dwg no 68015			
AP	M04-0234	MHT	12/29/04	0'±2'		.xxx±.0020/0.051	sheet 1 of 4 size A3			
AR	M05-0072	MHT	5/03/05	dr	T.BREWBAKER	01/31/95	type Product Customer Drawing			
AS	M06-0268	MHT	7/17/06	enfr	T.HANNA	01/31/95				
AT	M06-0346	MHT	9/04/06	chr	T.HANNA	01/31/95				
sheet index		revision		AT	AT	AT	AT			
sheet		sheet		1	2	3	4			

PIN PLATING CODES:	
XXXX-1YY	30u"/0.76u MIN (SEE NOTE 9) OVER 50u"/1.27u MIN Ni
XXXX-2YY	15u"/0.38u MIN (SEE NOTE 9) OVER 50u"/1.27u MIN Ni
XXXX-3YY	50u"/1.27u MIN Au OVER 50u"/1.27u MIN Ni
XXXX-4YY	100u"/2.54u MIN Sn OVER 50u"/1.27u MIN Ni (SEE NOTE 10)
XXXX-4YYHLF	
XXXX-5YY	15u"/0.38u MIN (SEE NOTE 9) OVER 50u"/1.27u MIN Ni
XXXX-6YY	30u"/0.76u MIN (SEE NOTE 9) OVER 50u"/1.27u MIN Ni
XXXX-7YY	30u"/0.76u MIN Au OVER 50u"/1.27u MIN Ni
XXXX-8YY	15u"/0.38u MIN Au OVER 50u"/1.27u MIN Ni
XXXX-9YY	15u"/0.38u MIN GXT OVER 50u"/1.27u MIN Ni
XXXX-0YY	30u"/0.76u MIN GXT OVER 50u"/1.27u MIN Ni

3. PIN MATERIAL: PHOS-BRONZE.
4. MEASURED WITH PART IN RESTRAINED CONDITION.
5. TWO SIDES OF PIN TIPS NOT PLATED. TYPICAL BOTH ENDS.
6. 2LBS/0.9KG MIN PIN RETENTION IN EITHER DIRECTION.
7. MILITARY BERGSTIK HEADER  
P/N XXXXX-YYY-MIL  
NOT AVAILABLE.
8. THESE PRODUCTS MEETS EUROPEAN UNION DIRECTIVES AND OTHER COUNTRY REGULATION AS DESCRIBED IN GS-22-008.
9. PLATING OPTIONS:  
MAY BE EITHER GOLD OR GXT PLATED AT MANUFACTURER'S OPTION.
10. THIS PRODUCT HAS 100% TIN PLATING IN THE INTERFACE AND HAS NOT BEEN TESTED FOR WHISKER GROWTH IN ALL INTERCONNECT ENVIRONMENTS.

NOTES

1. PART NUMBER OPTIONS:

PIN PLATING CODES (SEE ABOVE)

HIGH TEMP. MATERIAL:

FOR HIGH-TEMPERATURE APPLICATIONS, SPECIFY AN "H" AT THE END OF THE PART NUMBER, AND PCT WILL BE SUPPLIED.

NUMBER OF POSITION:

ANY NUMBER OF POSITIONS FROM 1 THRU 36.

PACKAGING:

PACKAGED IN POLY BAGS.

EIGHT DIGIT PART NUMBERS FOLLOWED BY A "T" ARE PACKAGED IN TUBES. SEE SPECIFIC PART NUMBERS FOR AVAILABILITY.

LEAD FREE:

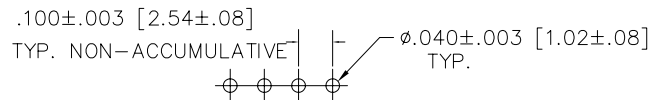
ADD "HLF" SUFFIX AT THE END OF PART NUMBER FOR LEAD FREE OPTION, NOT AVAILABLE FOR -5YY,-5YYH,-6YY & -6YYH.

2. BODY MATERIAL:

MANUFACTURER'S OPTION OF NYLON OR PCT, GLASS FIBER REINFORCED, FLAME RETARDENT PER UL-94V-0. COLOR: BLACK.

PART NUMBERS WITH "H" SUFFIX WILL WITHSTAND EXPOSURE TO 260°C PEAK TEMPERATURE FOR 20 SECONDS IN WAVE SOLDER, INFRA-RED OR VAPOR PHASE SOLDER PROCESS.

PART NUMBERS WITHOUT "H" SUFFIX WILL WITHSTAND EXPOSURE TO 260°C PEAK TEMPERATURE FOR WAVE SOLDER PROCESS.



RECOMMENDED HOLE PATTERN

mat'l. code SEE NOTES 2 & 3		surface ISO 1302 ✓		tolerance ISO 406 ISO 1101		projection ⊕		product family BERGSTIK	
ltr	ecn	no	dr	date		tolerances unless otherwise specified		title	
AT						angles	linear	BERGSTIK® II HEADER	
								.100/2.54cc SR R/A	
						0°±2'		scale 2:1	
				dr	T.BREWBAKER	01/31/95			dwg no
				enr	T.HANNA	01/31/95			sheet 2 of 4 size
				chr	T.HANNA	01/31/95			68015
				appd	T.HANNA	01/31/95			A3
sheet index	revision sheet							type Product Customer Drawing	

PRODUCT NUMBER	MATING LENGTH		TAIL LENGTH		BEND DIM		PACKAGING	LF OPTION
	DIM F	DIM F	DIM G	DIM G	DIM H	DIM H		
	ENGLISH	METRIC	ENGLISH	METRIC	ENGLISH	METRIC		
68015-YYY	0.230	5.84	0.090	2.29	0.060	1.52	POLY BAGS/TUBES	NOTE 1,8
68016-YYY	0.230	5.84	0.120	3.05	0.060	1.52	POLY BAGS/TUBES	
68023-YYY	0.135	3.43	0.305	7.75	0.135	3.43	POLY BAGS	
68417-YYY	0.230	5.84	0.390	9.91	0.060	1.52	POLY BAGS	
68423-YYY	0.318	8.08	0.120	3.05	0.060	1.52	POLY BAGS/TUBES	
68458-YYY	0.318	8.08	0.110	2.79	0.060	1.52	POLY BAGS	
68461-YYY	0.400	10.16	0.320	8.13	0.260	6.60	POLY BAGS	
68468-YYY	0.230	5.84	0.195	4.95	0.160	4.06	POLY BAGS	
68488-YYY	0.230	5.84	0.180	4.57	0.060	1.52	POLY BAGS	
68494-YYY	0.400	10.16	0.110	2.79	0.060	1.52	POLY BAGS	
68498-YYY	0.230	5.84	0.220	5.59	0.160	4.06	POLY BAGS	
68626-YYY	0.230	5.84	0.295	7.49	0.060	1.52	POLY BAGS	
68627-YYY	0.120	3.05	0.185	4.70	0.150	3.81	POLY BAGS	
68628-YYY	0.230	5.84	0.590	14.99	0.060	1.52	POLY BAGS	
68641-YYY	0.230	5.84	0.490	12.45	0.060	1.52	POLY BAGS	
68660-YYY	0.110	2.79	0.230	5.84	0.135	3.43	POLY BAGS	
68694-YYY	0.600	15.24	0.120	3.05	0.060	1.52	POLY BAGS	
68757-YYY	0.350	8.89	0.220	5.59	0.100	2.54	POLY BAGS	
68758-YYY	0.275	6.99	0.120	3.05	0.060	1.52	POLY BAGS	
68764-YYY	0.100	2.54	0.120	3.05	0.060	1.52	POLY BAGS	
68782-YYY	0.318	8.08	0.180	4.57	0.060	1.52	POLY BAGS	
68798-YYY	0.110	2.79	0.230	5.84	0.160	4.06	POLY BAGS	
69189-YYY	0.310	7.87	0.250	6.35	0.060	1.52	POLY BAGS	
71270-YYY	0.600	15.24	0.189	4.80	0.060	1.52	POLY BAGS	
72342-YYY	0.120	3.05	0.250	6.35	0.060	1.52	POLY BAGS	
78230-YYY	0.310	7.87	0.330	8.38	0.060	1.52	POLY BAGS	
78231-YYY	0.310	7.87	0.290	7.37	0.060	1.52	POLY BAGS	

mat'l. code SEE NOTES 2 & 3		surface ISO 1302 ✓	tolerance ISO 406 ISO 1101	projection ⊕	product family BERGSTIK
ltr	ecn	no	dr	date	tolerances unless otherwise specified
AT					linear .xx±.01/0.3
					linear .xxx±.005/0.13
					0'±2' .xxx±.0020/0.051
			dr	T.BREWBAKER	01/31/95
			enr	T.HANNA	01/31/95
			chr	T.HANNA	01/31/95
			appd	T.HANNA	01/31/95
sheet index	revision sheet				

title	BERGSTIK® II HEADER .100/2.54cc SR R/A
dwg no	68015
sheet	3 of 4
size	A3
type	Product Customer Drawing