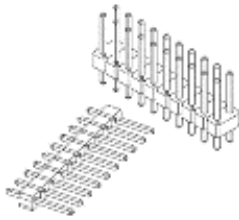


67996-472HLF

Assistant

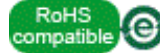


67996-472HLF - BergStik®

Unshrouded header, Through Hole, Double row, 72 Positions, 2.54 mm Pitch, Vertical, 5.84 mm (0.23 in.) Mating, 2.41 mm (0.095 in.) Tail

ACTIVE

[Customer Drawing](#)



Electronics division

[Email Datasheet](#) [Print Datasheet](#)

FCI Brings You More

- [Contact our sales/technical support](#)
- [Sample request](#)
- € [Price request](#)
- [Check distributor stock](#)

Direct Links ...>

Cross Reference

RoHS/LF P/N search

Document & Drawing search

Application tooling

Services ...>

Contact us

Distributor list

Pricing request

Order samples

Literature ...>

Brochures & catalogs

Product documentation

Technical library

Mating Half



[87606-336LF](#) 72 Position PCB Mounted Receptacle, Through Mount, Top Entry, Double Row



[76342-336LF](#) 72 Position PCB Mounted Receptacle Through Mount, Top Entry, Double Row



[71609-336LF](#) 72 Position Horizontal Card Connector, Surface Mount, Double row

Download document

Technical Resources

- [> 3D IGES](#)
- [> RoHS qualification documents](#)
- [> Product Specification](#)

Literature

- [> Basics+ Product Focus](#)
- [> Basics+ Brochure](#)
- [> Connectors for Medical Devices Brochure](#)
- [> Products for MicroTCA and AdvancedMC modules Brochure](#)
- [> Connector Overview Brochure](#)
- [> Bergstik PIP Brochure](#)

Application Tooling

- [> Asia Pacific Application Tooling](#)
- [> Americas Application Tooling](#)
- [> Europe Application Tooling](#)

Specifications

General	
Number of contacts (per row)	36
Number of contacts (Total)	72
Number of rows	2
Orientation	Vertical
Packaging	Bulk Packaging
Attachment type (Board)	Through Hole
Dimensional	
Length (Overall pin)	10.8 mm (0.425 in.)
Length (Tail)	2.41 mm (0.095 in.)
Mating length	5.84 mm (0.23 in.)
Electrical	
Current rating	3 amp Continuous
Resistance (Insulation)	5000 M ohms
Voltage rating	1500V AC rms
Mechanical	
Retention force	8.88N (2 lbf)
Mounting	
Retention feature (Board)	No
Solder process	Vapor-phase IR reflow soldering processes Compatible with Wave
Physical	
Color (Housing)	Black
Material (Contact)	Phospor Bronze
Material (Housing)	High Temperature Black Thermoplastic
Plating (Contact area)	Tin
Plating (Tail)	Tin
Underplating (Contact)	1.27 µm (50 µin.) Nickel
Flammability rating	UL 94 V-0
Temperature (Range)	-65°C to +125°C
Approvals / Certifications	
Approvals / Certifications	UL and CSA Approved
Other Features	
Comments	Sample kit 950501-016
Literature	950559-001

PRODUCT NUMBER

XXXXX-YYY HPLF

LEAD FREE OPTION
SEE NOTE 1,13

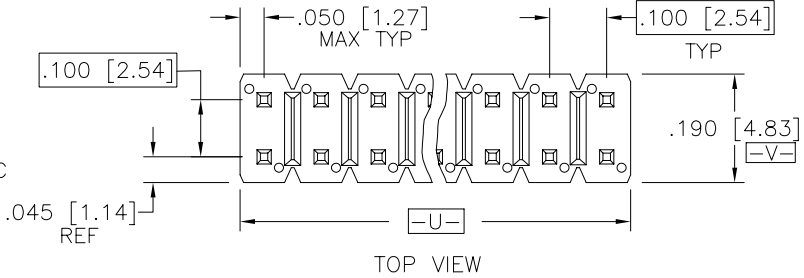
SPECIAL OPTIONS
SEE NOTE 1 OR 10

HIGH TEMPERATURE PLASTIC
SEE NOTE 1

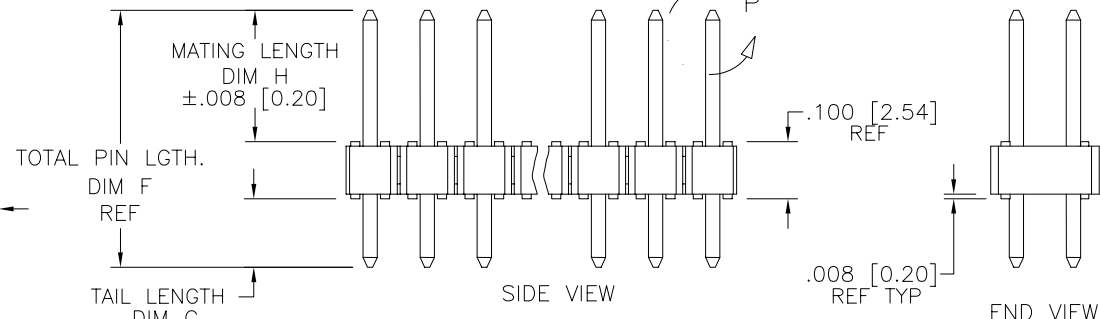
NO. OF POSITIONS
SEE NOTE 1

PIN PLATING
SEE SHEET 2

BASE PART NO.



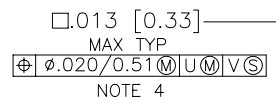
TOP VIEW



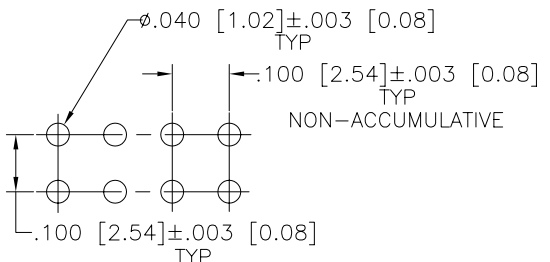
SIDE VIEW

END VIEW

NOTE 6



DETAIL P
SCALE 5:1
TYP BOTH ENDS



RECOMMENDED HOLE PATTERN

mat'l. code SEE NOTES 2 & 3		surface ISO 1302 ✓		tolerance ISO 406 ISO 1101		projection INCH/MM		product family BERGSTIK	
ltr ecn no dr date		tolerances unless otherwise specified		angles		linear		title	
CS	V21800	TAB	12/19/03				.XX±.01/0.3	BERGSTIK®II HDR. D/R	
CT	V03-0257	DAI	03/05/03				.xxx±.005/0.13	.100/2.54cc STRAIGHT	
CU	M04-0234	MHT	12/29/04	0'±2'			.xxx±.0020/0.051	scale 1:1	
CV	M05-0072	MHT	5/03/05	dr	T.BREWBAKER	12/21/94		dwg no sheet 1 of 8 size	
CW	M06-0268	MHT	7/17/06	engr	T.HANNA	12/21/94	FCI	67996 A3	
CX	M06-0346	MHT	9/04/06	chr	J.MURPHY	12/21/94		type Product Customer Drawing	
CY	M06-0468	MHT	11/27/06	appd	T.HANNA	12/21/94			
sheet index	revision	CY	CY	CY	CY	CY	CY	CY	CY
	sheet	1	2	3	4	5	6	7	8

PIN PLATING CODES:	
XXXX-1YY	30u"/0.76u MIN (SEE NOTE 14) OVER 50u"/1.27u MIN Ni
XXXX-2YY	15u"/0.38u MIN (SEE NOTE 14) OVER 50u"/1.27u MIN Ni
XXXX-3YY	50u"/1.27u MIN Au OVER 50u"/1.27u MIN Ni
XXXX-4YY	100u"/2.54u MIN Sn OVER 50u"/1.27u MIN Ni (SEE NOTE 15)
XXXX-4YYHLF	
XXXX-5YY	15u"/0.38u MIN (SEE NOTE 14) OVER 50u"/1.27u MIN Ni
XXXX-6YY	30u"/0.76u MIN (SEE NOTE 14) OVER 50u"/1.27u MIN Ni
XXXX-7YY	30u"/0.76u MIN Au OVER 50u"/1.27u MIN Ni
XXXX-8YY	15u"/0.38u MIN Au OVER 50u"/1.27u MIN Ni
XXXX-9YY	15u"/0.38u MIN GXT OVER 50u"/1.27u MIN Ni
XXXX-0YY	30u"/0.76u MIN GXT OVER 50u"/1.27u MIN Ni

NOTES

- ① PART NUMBER OPTIONS:
PIN PLATING CODES (SEE ABOVE)

- HIGH TEMPERATURE MATERIAL:
FOR HIGH-TEMPERATURE APPLICATIONS, SPECIFY AN "H" AT THE END OF THE PART NUMBER, AND PCT WILL BE SUPPLIED.

- NUMBER OF POSITIONS :
EVEN NUMBER OF POSITIONS FROM 2 (2X1) THROUGH 72 (2X36).
-X00H INDICATES BERGSTRIK PRODUCT. SEE PAGE 3 FOR SPECIAL GEOMETRY OF THIS CONTINUOUS STRIP PRODUCT. AUTOMATED REELS WILL CONTAIN 45,000 PINS. SEE SPECIFIC PART NUMBERS FOR AVAILABILITY.

- PACKAGING:
PACKAGED IN POLY BAGS.
EIGHT DIGIT PART NUMBERS FOLLOWED BY A "T" ARE PACKAGED IN TUBES. SEE SPECIFIC PART NUMBERS FOR AVAILABILITY.
EIGHT DIGIT PART NUMBERS FOLLOWED BY A "G" ARE PACKAGED IN GPAX FOR IBM ONLY. SEE SPECIFIC PART NUMBERS FOR AVAILABILITY.
PART NUMBERS FOLLOWED BY A "C" ARE PACKAGED IN TUBES WITH A PICKUP CAP APPLIED.

- LEAD FREE:
ADD "HLF" SUFFIX AT THE END OF PART NUMBER FOR LEAD FREE OPTION, NOT AVAILABLE FOR -5YY,-5YYH, -6YY & -6YYH

- ② BODY MATERIAL:
BODY MATERIAL : MANUFACTURER'S OPTION OF NYLON OR PCT, GLASS FIBER REINFORCED, FLAME RETARDENT PER UL-94V-0. COLOR: BLACK
BERGSTRIK™ PRODUCED WITH HIGH TEMPERATURE LCP THERMOPLASTIC, FLAME RETARDENT PER UL-94V-0. COLOR: BLACK
PART NUMBERS WITH "H" SUFFIX WILL WITHSTAND EXPOSURE TO 260° C PEAK TEMPERATURE FOR 20 SECONDS IN WAVE SOLDER, INFRA-RED OR VAPOR PHASE SOLDER PROCESS.
PART NUMBERS WITHOUT "H" SUFFIX WILL WITHSTAND EXPOSURE TO 260° C PEAK TEMPERATURE FOR WAVE SOLDER PROCESS.

- ③ PIN MATERIAL: PHOS BRONZE.

- ④ MEASURED WITH PART IN RESTRAINED CONDITION.
5. TWO SIDES OF PIN TIPS NOT PLATED. TYPICAL BOTH ENDS.

- ⑥ 2LBS/0.9KG MIN PIN RETENTION IN EITHER DIRECTION.

- 7. MILITARY BERGSTIK HEADER
P/N XXXXX-YYY-MIL
NOT AVAILABLE.

- ⑧ ±.010/0.25 TOL APPLIES TO ALL "G" TAILS EXCEPT INDICATED PARTS ON TABLE WHERE +.010/0.25 -.000/0.00 APPLIES.

- ⑨ NOTCH CONFIGURATION WILL VARY PER VENDOR'S DISCRETION.

- ⑩ BERGSTRIK™ PART NUMBERS FOLLOWED BY BY A "B" ARE BULK PRICED.

- ⑪ TAIL LENGTH (DIM. G) TO BE ±.008/.020.

- 12. POSITIONS PER ROW 37 TO 50 CAN BE PRODUCED, BUT FLATNESS AND CURVATURE MAY NOT BE HELD AS CLOSE AS 36 POSITIONS.

- ⑬ THESE PRODUCTS MEETS EUROPEAN UNION DIRECTIVES AND OTHER COUNTRY REGULATION AS DESCRIBED IN GS-22-008.

- ⑭ PLATING OPTIONS:
MAY BE EITHER GOLD OR GXT PLATED AT MANUFACTURER'S OPTION.

- ⑮ "THIS PRODUCT HAS 100% TIN PLATING IN THE INTERFACE AND HAS NOT BEEN TESTED FOR WHISKER GROWTH IN ALL INTERCONNECT ENVIRONMENTS."



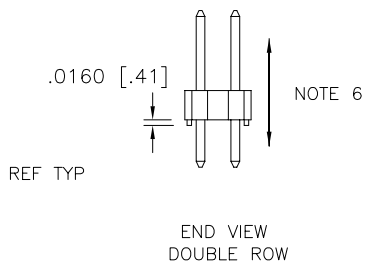
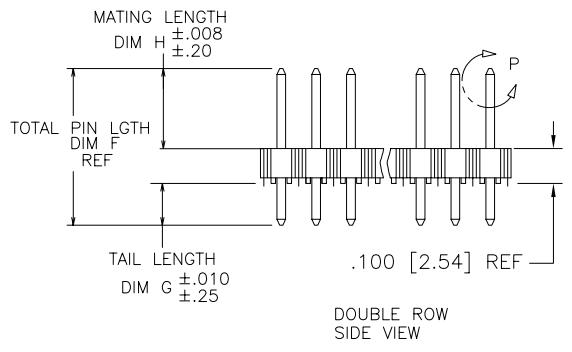
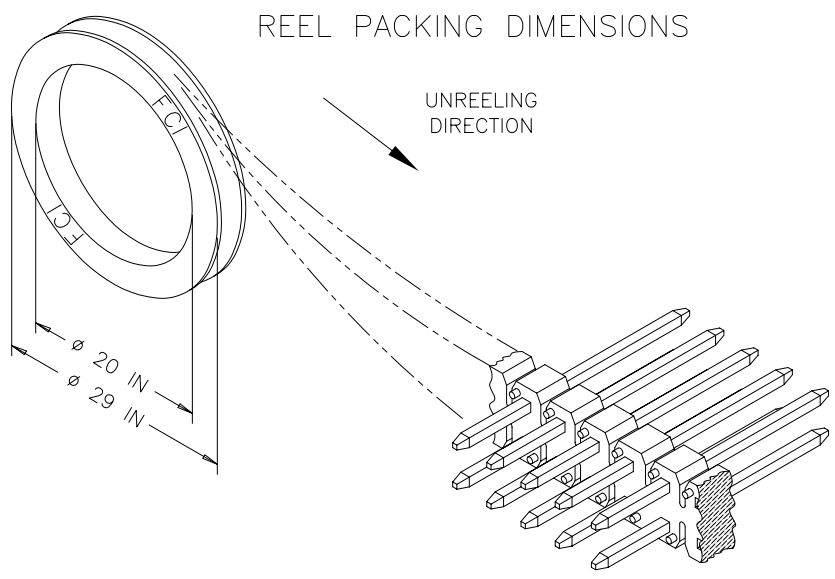
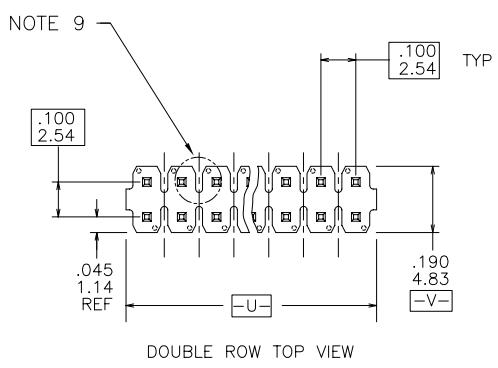
FCIconnect.com

Copyright FCI

mat'l. code		surface		tolerance		projection		product family	
SEE NOTES 2 & 3		ISO 1302 ✓		ISO 406		⊕		BERGSTIK	
ISO 1101		tolerances unless otherwise specified		.XX±.01/0.3		INCH/MM		title	
ltr		ecn		no		dr		date	
CY		angles		linear		.XXX±.005/0.13		BERGSTIK® II HDR. D/R	
		0'±2'		.XXX±.0020/0.051		scale 1:1		.100/2.54cc STRAIGHT	
		dr		T.BREWBAKER		12/21/94		dwg no	
		enfr		T.HANNA		12/21/94		sheet 2 of 8 size	
		chr		J.MURPHY		12/21/94		67996	
		appd		T.HANNA		12/21/94		A3	
sheet		revision						type	
index		sheet						Product Customer Drawing	

1 | 2 | 3 | 4 | 5 | 6

BERGSTRIPTM HEADER



Copyright FCI

mat'l. code SEE NOTES 2 & 3		surface ISO 1302 ✓		tolerance ISO 406 ISO 1101		projection INCH/MM		product family BERGSTIK	
ltr	ecn	no	dr	date		tolerances unless otherwise specified		title	
CY						angles	linear	BERGSTIK® II HDR. D/R .100/2.54cc STRAIGHT	
						0°±2'	.xx±.01/0.3 .xxx±.005/0.13 .xxxx±.0020/0.051	scale 1:1	
						dr	T.BREWBAKER	12/21/94	dwg no
						enr	T.HANNA	12/21/94	sheet 3 of 8
						chr	J.MURPHY	12/21/94	size
						appd	T.HANNA	12/21/94	A3
sheet index		revision sheet						type Product Customer Drawing	

form: A3 | 1 | 2 | 3 | 4 | 5 | 6

PRODUCT NUMBER	1 TOT. PIN LGTH.		TAIL LENGTH		2 3 MATING LENGTH		PACKAGING	NOTES	BERGSTRIIP™ AVAILABLE	LF OPTION
	DIM F	DIM F	DIM G	DIM G	DIM H	DIM H				
	ENGLISH	METRIC	ENGLISH	METRIC	ENGLISH	METRIC				
55005-XYH	0.597	15.16	0.095	2.41	0.402	10.21	POLY BAGS	-	YES	NOTE 1,13
55030-XYH	0.630	16.00	0.150	3.81	0.380	9.65	POLY BAGS	-	YES	
67996-XYH	0.425	10.80	0.095	2.41	0.230	5.84	POLY BAGS/TUBES	-	YES	
67997-XYH	0.450	11.43	0.120	3.05	0.230	5.84	POLY BAGS/TUBES	-	YES	
67997-XYH	0.450	11.43	0.120	3.05	0.230	5.84	POLY BAGS/TUBES	-	YES	
67998-XYH	0.525	13.34	0.107	2.72	0.318	8.08	POLY BAGS/TUBES	-	YES	
67999-XYH	0.548	13.92	0.130	3.30	0.318	8.08	POLY BAGS	-	NO	
68438-XYH	0.555	14.10	0.225	5.72	0.230	5.84	POLY BAGS/TUBES	-	NO	
68439-XYH	0.720	18.29	0.120	3.05	0.500	12.70	POLY BAGS	-	NO	
68464-XYH	0.650	16.51	0.120	3.05	0.430	10.92	POLY BAGS/TUBES	-	NO	
68481-XYH	0.480	12.19	0.095	2.41	0.285	7.24	POLY BAGS/TUBES	-	NO	
68482-XYH	0.938	23.83	0.318	8.08	0.520	13.21	POLY BAGS	-	NO	
68491-XYH	0.475	12.07	0.120	3.05	0.255	6.48	POLY BAGS/TUBES	-	NO	
68600-XYH	0.825	20.96	0.115	2.92	0.610	15.49	POLY BAGS	-	NO	
68601-XYH	0.620	15.75	0.120	3.05	0.400	10.16	POLY BAGS	-	NO	
68602-XYH	0.480	12.19	0.150	3.81	0.230	5.84	POLY BAGS	-	NO	
68690-XYH	0.533	13.54	0.115	2.92	0.318	8.08	POLY BAGS	-	NO	
68691-XYH	0.538	13.67	0.120	3.05	0.318	8.08	POLY BAGS	-	YES	
68692-XYH	0.430	10.92	0.100	2.54	0.230	5.84	POLY BAGS	-	NO	
68693-XYH	0.938	23.83	0.520	13.21	0.318	8.08	POLY BAGS	-	NO	
68716-XYH	0.828	21.03	0.410	10.41	0.318	8.08	POLY BAGS	-	NO	
68734-XYH	0.615	15.62	0.230	5.84	0.285	7.24	POLY BAGS	-	NO	
68737-XYH	0.440	11.18	0.110	2.79	0.230	5.84	POLY BAGS	-	YES	
68738-XYH	0.615	15.62	0.115	2.92	0.400	10.16	POLY BAGS	-	NO	
68739-XYH	0.486	12.34	0.156	3.96	0.230	5.84	POLY BAGS	-	NO	
68743-XYH	0.638	16.21	0.220	5.59	0.318	8.08	POLY BAGS	-	NO	
68749-XYH	0.838	21.29	0.420	10.67	0.318	8.08	POLY BAGS	-	NO	
68779-XYH	0.736	18.69	0.318	8.08	0.318	8.08	POLY BAGS	-	NO	
68783-XYH	0.375	9.53	0.045	1.14	0.230	5.84	POLY BAGS	-	NO	
68799-XYH	0.925	23.50	0.595	15.11	0.230	5.84	POLY BAGS	-	NO	

NOTE 1,13

NOTE 1,13



FCIconnect.com

Copyright FCI

mat'l. code SEE NOTES 2 & 3		surface ISO 1302 ✓		tolerance ISO 406 ISO 1101		projection ⊕		product family BERGSTIK	
ltr ecn no dr		date		tolerances unless otherwise specified		INCH/MM		title BERGSTIK® II HDR. D/R .100/2.54cc STRAIGHT	
CY		angles		linear .XX±.01/0.3		scale 1:1		dwg no sheet 4 of 8 size 67996 A3	
		0'±2'		.XXX±.005/0.13		FCI		type Product Customer Drawing	
		dr T.BREWBAKER 12/21/94		enr T.HANNA 12/21/94					
		chr J.MURPHY 12/21/94		appd T.HANNA 12/21/94					
sheet index		revision sheet							

form: A3