

47712-000LF : 22-26 AWG .0048 SPG

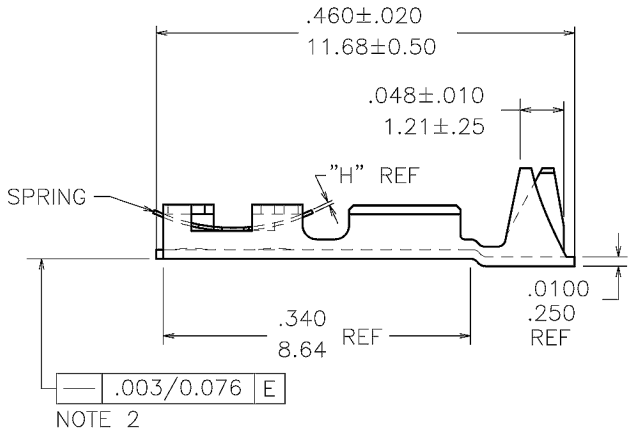
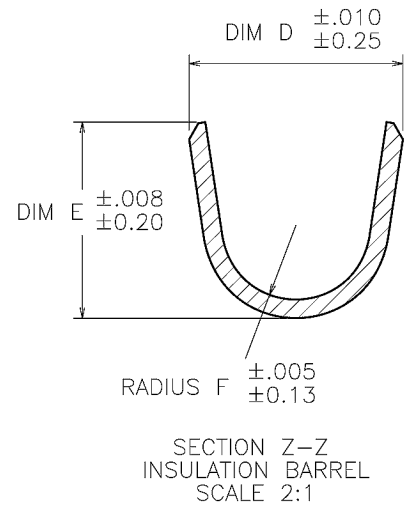
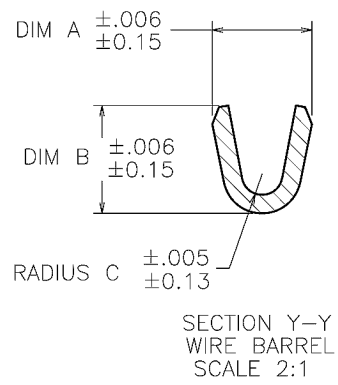
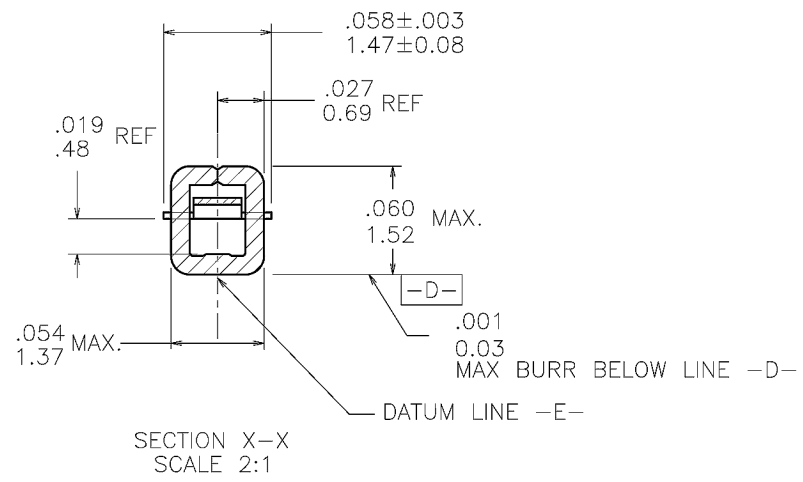
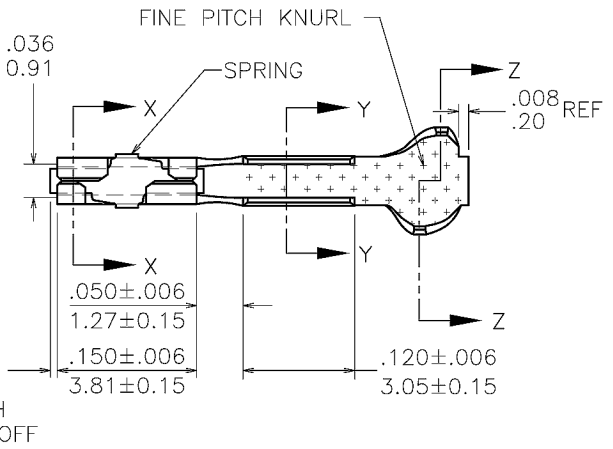


ACTIVE

Electronics division



PRODUCT NUMBER
SEE SHEET 3



mat'l. code				surface	tolerance	projection	product family
SEE TABLE				✓		⊕	PV TERMINALS
ltr	ecn no	dr	date	tolerances unless otherwise specified			title
AG	v07-0218	HTB	2007-03-16	angles	linear	INCH/MM	MINI PV™ RECEPTACLE CRIMP TO WIRE
AH	v08-0113	HTB	2008-03-28			scale 5:1	
AJ	F08-0159	HTB	2008-04-16				
AK	F08-0189	HTB	2008-06-25	dr	T. BREWBAKER	2006-04-18	sheet 1 of 6 size
				engr	T. BREWBAKER	2006-04-18	47212 A3
AE	v06-0197	HTB	2006-03-03	chr	T. BREWBAKER	2006-04-18	
AF	v06-0303	HTB	2006-04-18	appd	T. BREWBAKER	2006-04-18	type Product Customer Drawing
sheet	revision	AK	AK	AK	AK	AK	
index	sheet	1	2	3	4	5	6

PRODUCT NUMBER SEE SHEET 3	AWG	WIRE BARREL			INSULATION BARREL			
	RANGE	DIM A	DIM B	RADIUS C	INSULATION DIAMETER RANGE	DIM D	DIM E	RADIUS F
	18-20	.104/2.64	.104/2.64	.021/.53	.042/1.07-.103/2.62	.139/3.53	.120/3.05	.050/1.27
	22-26	.070/1.78	.070/1.78	.017/.43	.036/.91-.103/2.62	.139/3.53	.120/3.05	.050/1.27
	28-32	.054/1.37	.058/1.47	.011/.28	.028/.71-.054/1.37	.115/2.92	.105/2.67	.040/1.02

NOTES:

1. TERMINAL MATES WITH $.025 \pm .002 / 0.64 \pm 0.05$ SQUARE OR ROUND PIN.
- ② WHEN MEASURED ALONG DATUM -E- WITHIN $.340 / 8.64$ REF DIM.
3. PRODUCT SPECIFICATION: BUS-12-067.
APPLICATION SPECIFICATIONS:
TA-75: TERMINAL DATA FOR USE WITH MINI LATCH HOUSING.
TA-146: TERMINAL DATA FOR CONTACTS NOT USED IN HOUSINGS.
TA-210: TERMINAL DATA FOR CONTACTS USED WITH MINI ROD HOUSINGS.
TA-228: APPLICATIONS USING 20 AWG WIRE.
TA-531: INSTALLING AND REMOVING TERMINALS.
- ④ PRODUCT MEETS EUROPEAN UNION DIRECTIVES AND OTHER COUNTRY REGULATIONS AS DESCRIBED IN GS-22-008.
5. THIS PRODUCT IS NOT INTENDED TO BE EXPOSED TO MANUFACTURING SOLDERING PROCESSES.
- ⑥ THIS PRODUCT HAS 100% TIN PLATING IN THE INTERFACE AND HAS NOT BEEN TESTED FOR WHISKER GROWTH IN ALL INTERCONNECT ENVIRONMENTS.



mat'l. code SEE TABLE				surface <input checked="" type="checkbox"/>	tolerance	projection	product family PV TERMINALS	
ltr	ecm no	dr	date	tolerances unless otherwise specified		INCH/MM scale 1:1	title MINI PV™ RECEPTACLE CRIMP TO WIRE	
AK				angles	linear		FCJ	dwg no 47212
				dr	T. BREWBAKER	2006-04-18	size A3	
				engr	T. BREWBAKER	2006-04-18	type Product Customer Drawing	
				chr	T. BREWBAKER	2006-04-18		
				appd	T. BREWBAKER	2006-04-18		
sheet index	revision sheet							

MATERIAL & PLATING		SPRING THICKNESS DIM H±.0005/0.012	AWG RANGE	REELED NOTE 4	LOOSE NOTE 4	PLATING AVAILABILITY						
1/4 HARD BRASS BODY	Be/Cu SPRING					-000	-000LF	-001	-001LF	-002	-002LF	
UNDERPLATING: 50µ"/1.27µ Ni CONTACT AREA: 40µ"/1.02µ Au INSIDE BOX AREA: -000LF Au FLASH -001LF 8µ"/0.2µ Au -002LF 8µ"/0.2µ Au REMAINDER: -000LF Au FLASH -001LF 8µ"/0.2µ Au -002LF Au FLASH	Au FLASH	.0035/0.089	18-20	48276	N/A	NO	NO	NO	NO	NO	YES	
			22-26	47457	47743	NO	YES	NO	YES	NO	YES	
			28-32	47456	47742	NO	YES	NO	YES	NO	YES	
		.0048/0.122	18-20	47441	47713	NO	YES	NO	YES	NO	YES	
			22-26	47439	47712	NO	YES	NO	YES	NO	YES	
			28-32	47437	47711	NO	YES	NO	YES	NO	YES	
		.0058/0.147	18-20	94022	94025	NO	NO	NO	NO	NO	NO	OBS.
			22-26	94023	94026	NO	NO	NO	NO	NO	NO	OBS.
			28-32	94024	94027	NO	NO	NO	NO	NO	NO	OBS.
		.0065/0.165	18-20	47566	47746	NO	YES	NO	YES	NO	YES	
			22-26	47565	47745	NO	YES	NO	YES	NO	YES	
			28-32	47564	47744	NO	YES	NO	YES	NO	YES	
DISCONTINUED				48191	48194							
DISCONTINUED				48192	48195							
DISCONTINUED				48193	48196							
UNDERPLATING: 50µ"/1.27µ Ni CONTACT AREA: 75µ"/1.91µ Au INSIDE BOX AREA: -000LF Au FLASH -001LF 75µ"/1.91µ Au -002LF 30µ"/0.76µ Au REMAINDER: -000LF Au FLASH -001LF 75µ"/1.91µ Au -002LF 15µ"/0.38µ Au	Au FLASH	.0035/0.089	18-20	47785	48014	NO	YES	NO	NO	NO	NO	
			22-26	47784	48015	NO	NO	NO	NO	NO	NO	OBS.
			28-32	47783	48013	NO	NO	NO	NO	NO	NO	OBS.
		.0048/0.122	18-20	47220	47707	NO	NO	NO	NO	NO	NO	OBS.
			22-26	47216	47706	NO	YES	NO	NO	NO	NO	
			28-32	47212	47705	NO	YES	NO	NO	NO	NO	
		.0058/0.147	18-20	94028	94031	NO	NO	NO	NO	NO	NO	OBS.
			22-26	94029	94032	NO	NO	NO	NO	NO	NO	OBS.
			28-32	94030	94033	NO	NO	NO	NO	NO	NO	OBS.



mat'l. code SEE TABLE				surface ✓	tolerance	projection ⊕	product family PV TERMINALS
ltr	ecr no	dr	date	tolerances unless otherwise specified		INCH/MM scale 1:1	title MINI PV™ RECEPTACLE CRIMP TO WIRE
AK				angles	linear		
					.XX±.01/.X±.3 .XXX±.005/.XX±.13 XXXX±.0020/XXX±.051		
				dr	T. BREWBAKER 2006-04-18		sheet 4 of 6
				engr	T. BREWBAKER 2006-04-18		47212
				chr	T. BREWBAKER 2006-04-18		A3
				appd	T. BREWBAKER 2006-04-18		Product Customer Drawing
sheet index	revision sheet						