

ZVC72NP Series

Single output 65W to 72W AC/DC External Adapters

The New 65 and 72Watt NP Series from Red Rocket are ideal for portable computing, multimedia, industrial, networking and printing applications.

The new NP series of power adapters are fully compliant with CEC and Energy Star IV requirements and provide their full output power without the need for fan cooling.

The NP series are also available with non-standard voltage outputs as an option.



Features :

- > Universal Input
- > Desktop Style
- > Efficiency to 85%
- > Convection cooled
- > EN55022-B—Level B
- > Class 1 Product
- > CEC Compliant
- > Energy Star IV Compliant
- > 0 to 50°C Operating

Model Number	Output	I Min	I Max	Power
ZVC65NP19E4	+19V	0.0A	3.42A	65W
ZVC65NP19E8	+19V	0.0A	3.42A	65W
ZVC65NP24E4	+24V	0.0A	2.7A	65W
ZVC65NP24E8	+24V	0.0A	2.7A	65W
ZVC72NP36E4	+36V	0.0A	2.0A	72W
ZVC72NP36E8	+36V	0.0A	2.0A	72W
ZVC72NP48E4	+48V	0.0A	1.5A	72W
ZVC72NP48E8	+48V	0.0A	1.5A	72W

INPUT SPECIFICATIONS		
AC Input	Universal	90 to 264V
Efficiency	Typical	85%
Input Frequency		47—63Hz
Input Current		2.3A Max
Inrush Current	Max	30A @ 115vac 60A @ 230VAC

MECHANICAL SPECIFICATIONS	
Input Connector	IEC320—C14 OR C8
Output Connector, Cable / length	Jack Connector UL1185, 18AWG/5ft
Size	110.5mm x 53.0mm x 29mm (31mm with C14 Connector)
Weight	250g

ENVIRONMENTAL SPECIFICATIONS	
Operating Temperature	0° C to +50° C De-Rate from 40° C @ 100% to 50° C @ 75% Load
Storage Temperature	-20° to + 85° C
Cooling	Convection
Relative humidity	20% to 90% RH
MTBF	≥150,000Hrs

All Red Rocket, Inc. EOS power supplies have UL, CSA and Nemko safety compliance and medical versions meet UL60601-1 standards. All our products are RoHs compliant. Visit us at www.redrocketpower.com and contact us at sales@redrocketpower.com or by calling +1 805-409-0909 today. © 2008, Red Rocket, Inc. EOS brand power supplies and patents are owned exclusively by Red Rocket, Inc. All Rights Reserved. REV 06-19-08



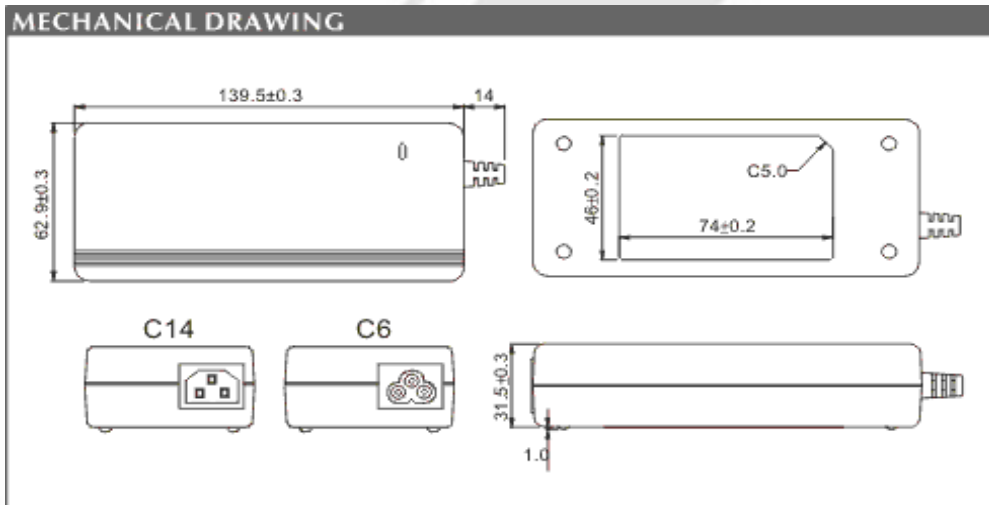
ZVC72NP Series



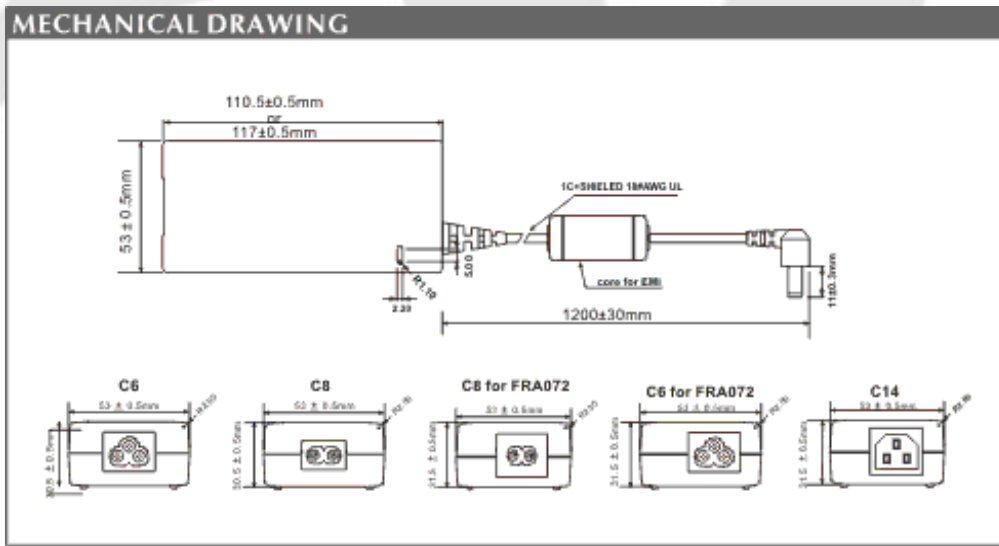
Single output 65W to 72W AC/DC External Adapters

EMC AND SAFETY SPECIFICATIONS	
CEC Mark	Complies with standby power (@ no load) < 0.5 W.
EMC—Radiated/Conducted	EN55022,CISPR22, FCC Part 15 Class B
Agency Approvals	UL / TUV / EN60950—1 , CE, CB
Safety Standards	UL,CE,CB , EN60950-1
EMC—Environmental	EN61000-3-2,3 EN61000-4-2,3,4,5,6,8,11

OUTPUT SPECIFICATIONS		
Output Power		72W
Minimum Load		0.0A
Hold-Up Time		10ms @ 230VAC 5MS @ 115VAC
Line Regulation		+/-2% Max
Load Regulation		+/- 5% Max
Transient Response		<5%
OCP		Auto Recovery
Overload Protection		Auto Recovery
SC Protection		Short Term
Ripple and Noise		2% P-P Max
Output Rise Time		<10ms



ZVC72NP Series
Mechanical Dimensions



ZVC65NP Series
Mechanical Dimensions

All Red Rocket, Inc. EOS power supplies have UL, CSA and Nemko safety compliance and medical versions meet UL60601-1 standards. All our products are RoHs compliant. Visit us at www.redrocketpower.com and contact us at: sales@redrocketpower.com or by calling +1 805-409-0909 today. © 2008, Red Rocket, Inc. EOS brand power supplies and patents are owned exclusively by Red Rocket, Inc. All Rights Reserved. REV 06-19-08

