

R215 Ultra Grip® Rubber Flashlight



Specifications

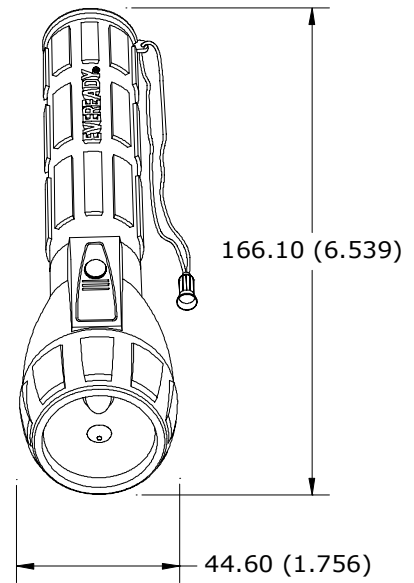
- Designation:** Eveready Flashlight
- Power Source:** Two AA Size Batteries (ANSI/NEDA 15 Series)
- Lamp:** No. KPR-104 (Rated at 2.2V, 0.47A)
- Lamp Life:** Rated at 15 Hours
- Lamp Output:** Rated at 6 Lumens
- Typical Weight:** 94 grams (3.3 oz.) (without batteries)

Features

- Heavy Duty Rubber Case
- Krypton Bulb
- Lanyard

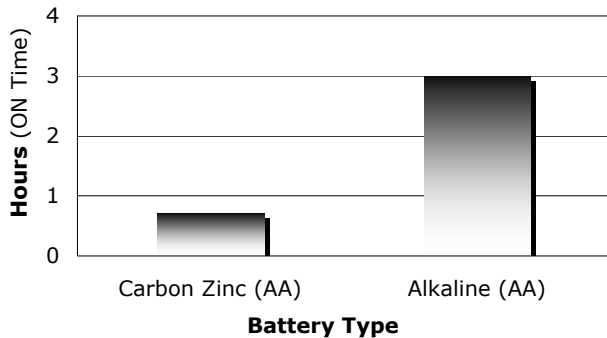
Physical Dimensions

mm (inches)



Typical Battery Service

470 mA Continuous
at 21°C (70°F)



Typical Battery Service to 0.9V (per battery) at 21°C (70°F)

Schedule	Battery Type	Hours (ON Time)
470 mA Continuous	1215	0.7
470 mA Continuous	E91	3.0

Important Notice

This datasheet contains information specific to flashlights manufactured at the time of its publication.

Contents herein do not constitute a warranty.

Copyright Eveready Battery Co. Inc. - All Rights Reserved