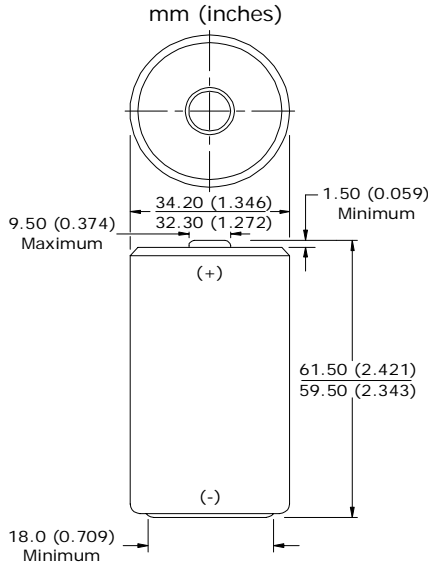


# ENERGIZER NO. NH50

D

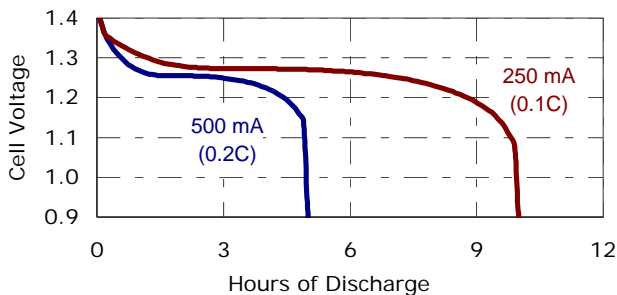


## Industry Standard Dimensions

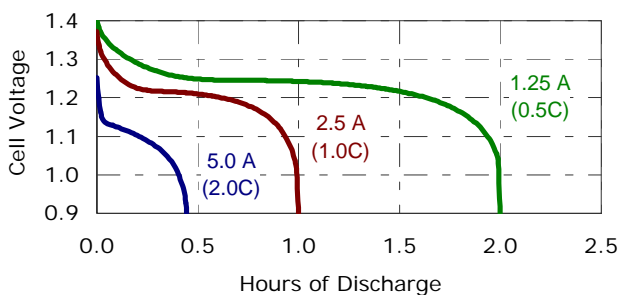


## Typical Discharge Characteristics

Typical Performance at 21°C (70°F)



Typical Performance at 21°C (70°F)



## Specifications

<b>Classification:</b>	Rechargeable
<b>Chemical System:</b>	Nickel-Metal Hydride (NiMH)
<b>Designation:</b>	ANSI-1.2H4
<b>Nominal Voltage:</b>	1.2 Volts
<b>Rated Capacity:</b>	2500 mAh (to 1.0 volts) Based on 500 mA (0.2C) discharge rate
<b>Typical Weight:</b>	73.0 grams (2.6 oz.)
<b>Typical Volume:</b>	56.5 cubic centimeters (3.5 cubic inch)
<b>Jacket:</b>	Plastic Label

### Internal Resistance:

The internal resistance of the cell varies with state of charge, as follows:

<u>Cell Charged</u>	<u>Cell 1/2 Discharged</u>
11 milliohms	21 milliohms
(tolerance of ±20% applies to above values)	

### AC Impedance (No Load):

The impedance of the charged cell varies with frequency, as follows:

<u>Frequency (Hz)</u>	<u>Impedance (milliohms)</u> (Charged Cell)
1000	9

Above values based on AC current set at 1.0 ampere. Value tolerances are ±20%.

### Operating and Storage Temperatures:

To maintain maximum performance, observe the following general guidelines regarding environmental conditions.

Charge:	0°C to 40°C (32°F to 104°F)
Discharge:	0°C to 50°C (32°F to 122°F)
Storage:	-20°C to 30°C (-4°F to 86°F)
Humidity:	65±20%

Operating at extreme temperatures, will significantly impact battery cycle life.

### Important Notice

This data sheet contains information specific to batteries manufactured at the time of its publication.

**Contents herein do not constitute a warranty.**

©Eveready Battery Company, Inc. - All Rights Reserved