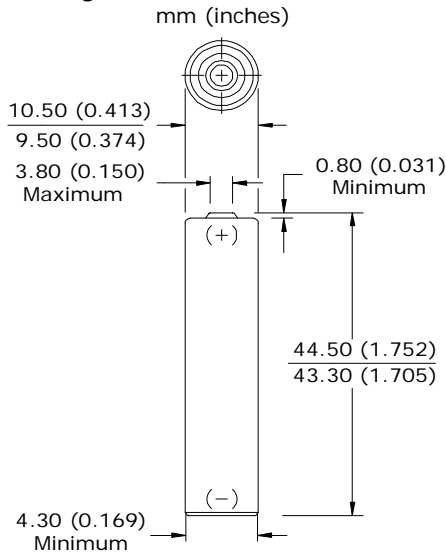


ENERGIZER NO. NH12

AAA



Industry Standard Dimensions



Specifications

- Classification:** Rechargeable
- Chemical System:** Nickel-Metal Hydride (NiMH)
- Designation:** ANSI-1.2H1
- Nominal Voltage:** 1.2 Volts
- Rated Capacity:** 850 mAh (to 1.0 volts)
Based on 170 mA (0.2C) discharge rate
- Typical Weight:** 12.0 grams (0.4 oz.)
- Typical Volume:** 3.8 cubic centimeters (0.2 cubic inch)
- Jacket:** Plastic Label

Internal Resistance:

The internal resistance of the cell varies with state of charge, as follows:

Cell Charged	Cell 1/2 Discharged
100 milliohms	1200 milliohms
(tolerance of ±20% applies to above values)	

AC Impedance (No Load):

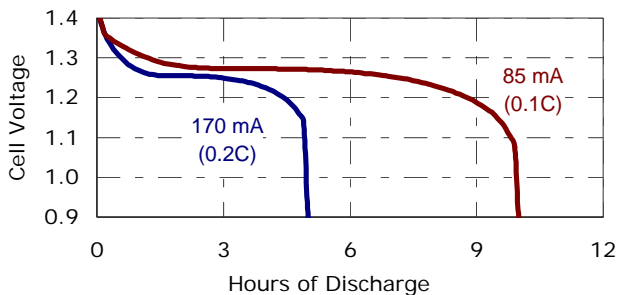
The impedance of the charged cell varies with frequency, as follows:

Frequency (Hz)	Impedance (milliohms) (Charged Cell)
1000	35

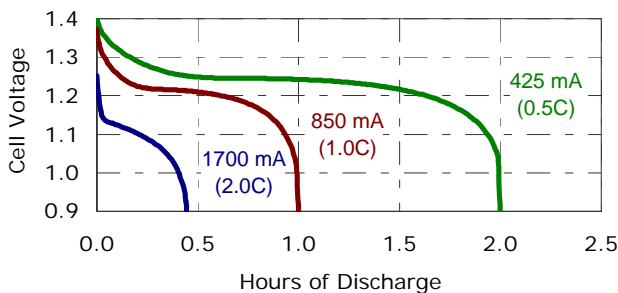
Above values based on AC current set at 1.0 ampere. Value tolerances are ±20%.

Typical Discharge Characteristics

Typical Performance at 21°C (70°F)



Typical Performance at 21°C (70°F)



Operating and Storage Temperatures:

To maintain maximum performance, observe the following general guidelines regarding environmental conditions.

- Charge: 0°C to 40°C (32°F to 104°F)
- Discharge: 0°C to 50°C (32°F to 122°F)
- Storage: -20°C to 30°C (-4°F to 86°F)
- Humidity: 65±20%

Operating at extreme temperatures, will significantly impact battery cycle life.

Important Notice

This data sheet contains information specific to batteries manufactured at the time of its publication.

Contents herein do not constitute a warranty.

©Eveready Battery Company, Inc. - All Rights Reserved