

# ENERGIZER NO. CR2016

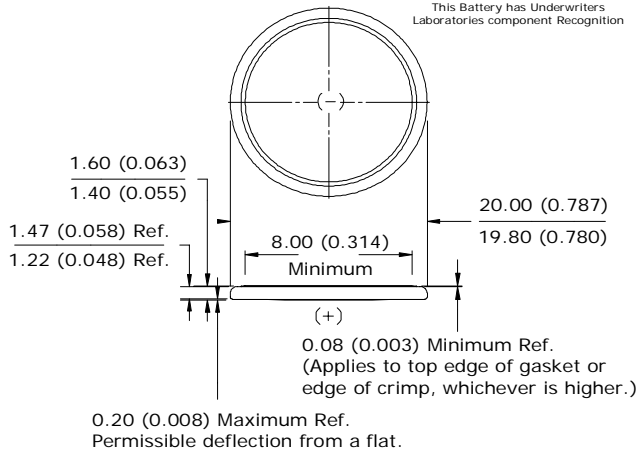


## Industry Standard Dimensions

mm (inches)



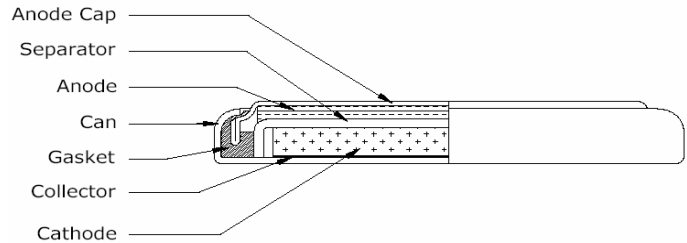
This Battery has Underwriters Laboratories component Recognition



## Specifications

- Classification:** "Lithium Coin"
- Chemical System:** Lithium / Manganese Dioxide (Li/MnO<sub>2</sub>)
- Designation:** ANSI / NEDA-5000LC, IEC-CR2016
- Nominal Voltage:** 3.0 Volts
- Typical Capacity:** 90 mAh (to 2.0 volts)  
(Rated at 30K ohms at 21°C)
- Typical Weight:** 1.9 grams (0.07 oz.)
- Typical Volume:** 0.5 cubic centimeters (0.03 cubic inch)
- Max Rev Charge:** 1 microampere
- Energy Density:** 122 milliwatt hr/g, 464 milliwatt hr/cc
- Typical Li Content:** 0.036 grams (0.0013 oz.)
- UL Listed:** MH12454
- Shipping:** For complete details, please reference:  
Global (except US): Special Provision A45 of the International Air Transport Association Dangerous Goods Regulations  
United States: 49 CFR 173.185

## Cross Section



## Simulated Application test

Typical Performance at 21°C (70°F)

Schedule:	Typical Drains: at 2.9V (mA)	Load (ohms)	Cutoff 2.0V (hours)
Continuous	0.097	30,000	928

## Internal resistance Characteristics

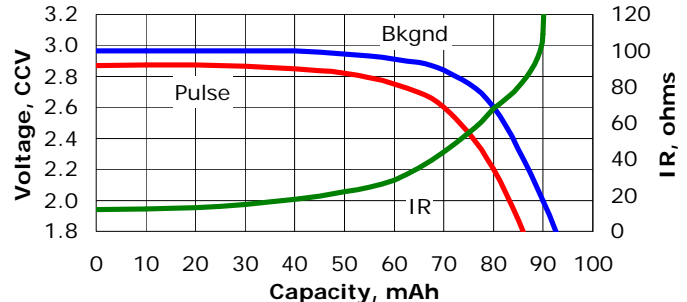
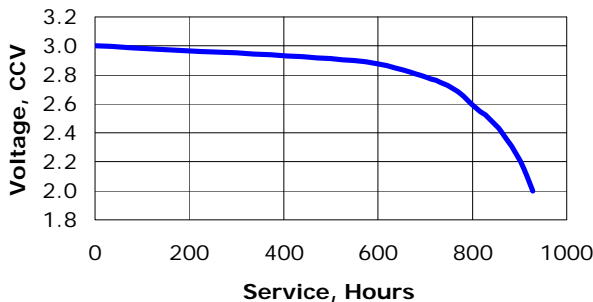
Pulse Test at 21°C (70°F)

**Bkgnd Drain:** Continuous  
30K ohms  
0.097 mA @2.9V

**Pulse Drain:** 2 seconds X 12 times/day  
400 ohms  
6.8 mA @2.7V

## Typical Discharge Characteristics

Load: 30K ohms - Continuous  
Typical Drain @ 2.9V: 0.097 mA



## Important Notice

This data sheet contains typical information specific to batteries manufactured at the time of its publication.

**Contents herein do not constitute a warranty.**

©Eveready Battery Company, Inc. - All Rights Reserved