

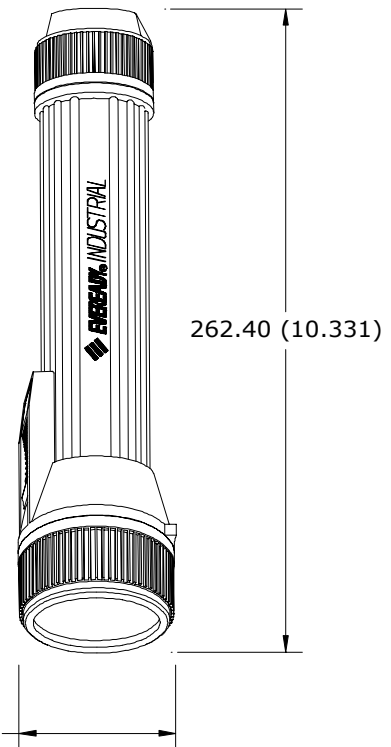
**1351**  
Industrial Flashlight



**Specifications**

- Designation:** Industrial Flashlight
- Power Source:** Three D Size Batteries (ANSI/NEDA 13 Series)
- Lamp:** No. PR-3 (Rated at 3.6V, 0.5A)
- Lamp Life:** Rated at 15 Hours
- Lamp Output:** Rated at 21.6 Lumens
- Typical Weight:** 141.6 grams (5.0 oz.) (without batteries)

**Physical Dimensions**  
mm (inches)

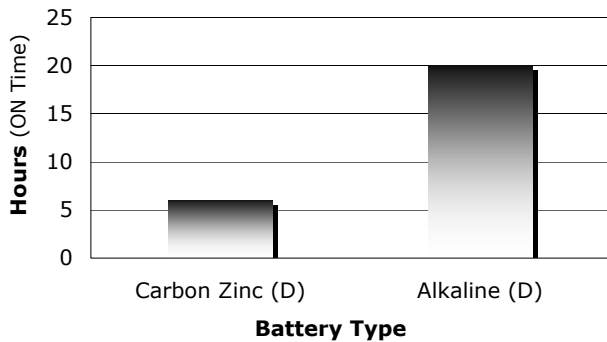


**Features**

- Impact Resistant Industrial Flashlight
- Resistant to Grease, Oil, Gasoline and Solvent
- Built-In Hanger Ring
- High Visibility Yellow Color

**Typical Battery Service**

500 mA Continuous  
at 21°C (70°F)



**Typical Battery Service to 0.9V (per battery) at 21°C (70°F)**

Schedule	Battery Type	Hours (ON Time)
500 mA Continuous	1250	6.0
500 mA Continuous	EN95	20

**Important Notice**

This datasheet contains information specific to flashlights manufactured at the time of its publication.  
**Contents herein do not constitute a warranty.**  
Copyright Eveready Battery Co. Inc. - All Rights Reserved