



Sprint - ST48B7 - 031862 - No
(Family) (Model) (Part #) (In Stock)

Electrical Specifications

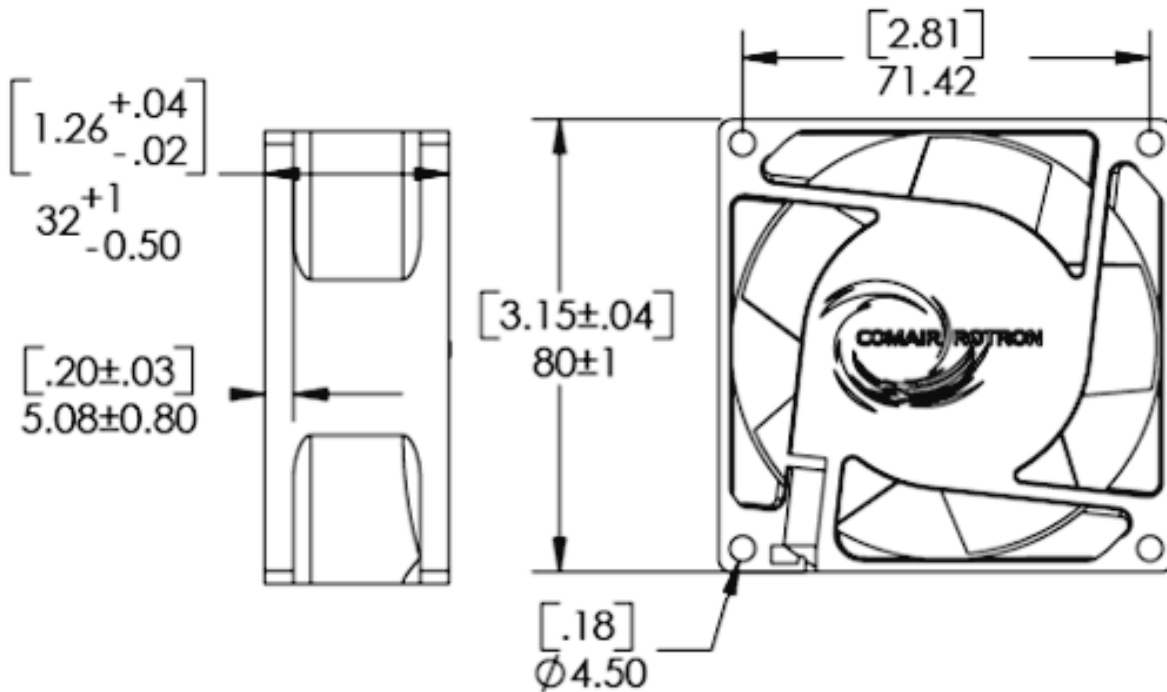
Operating Voltage:	48 Volts
Voltage Range:	24 - 56 Volts
Power Supply:	3.6 Watts
Line Current:	0.07 Amps
Locked Rotor Current	0.25 Amps
Nominal Speed:	3300 RPM

Mechanical Specifications

Dimensions:	3.1 x 3.1 x 1.3 in
Weight	6.35 oz
Max Airflow @ 0 in H ₂ O	34.0 CFM
Max Pressure @ 0 CFM	0.225 in H ₂ O
Noise	40.9 dBA



Mechanical Drawing





Fan Performance Curve

Fan Configuration Options

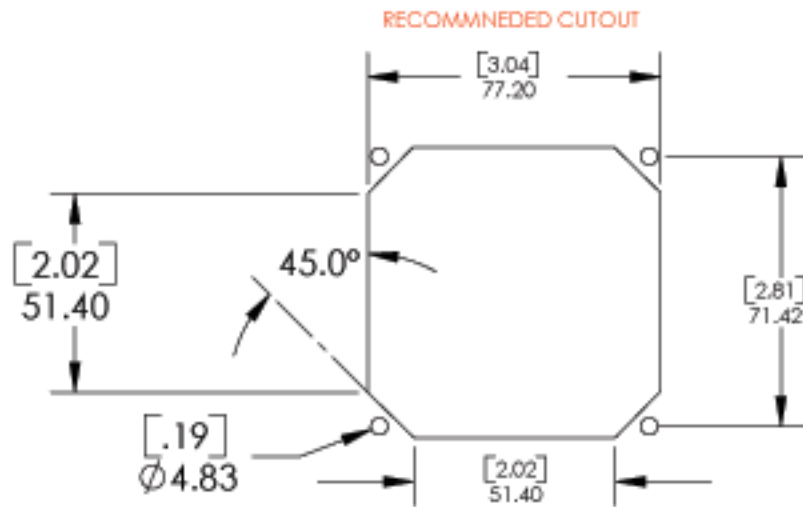
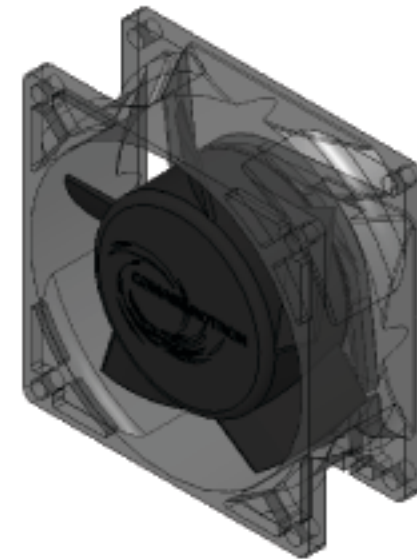
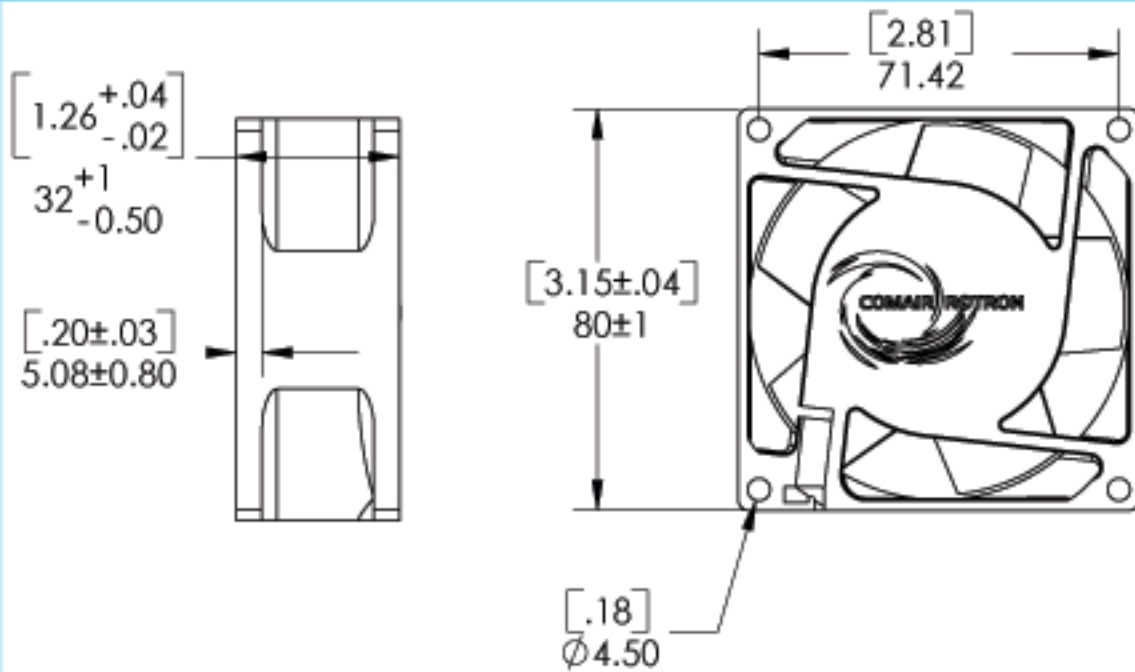
Sprint (Family)	ST48B7 (Model)	/ 031862 (Part #)	No (In Stock)	305 mm [12 inch] Leads (Features)
---------------------------	--------------------------	-----------------------------	-------------------------	---

Fan Speed:	3300 RPM	Fan Bearings:	Ball Bearings
Fan Airflow Direction:	Flow R (CCW Rotation)	Fan Termination:	Leads

Fan Monitoring Options:	TTL (+5V) Tachometer Output
--------------------------------	------------------------------------

Fan Speed Control Option:	No ThermaPro-V Fan Speed Control Options Selected
----------------------------------	--

Environmental Protection Options:	No Enviroshield Options Selected
--	---



CONTACT INFO: WWW.COMAIRROTRON.COM			
TOLERANCE UNLESS OTHERWISE SPECIFIED 2 PL. DEC + 0.1 8 3 PL. DEC + 0.1 25 MILL LIT + 30	AMERICAN PROJECTION FIRST ANGLE	3D MODEL FOUND AT...	
SPRINT			