

FT170AC Series

Tubeaxial

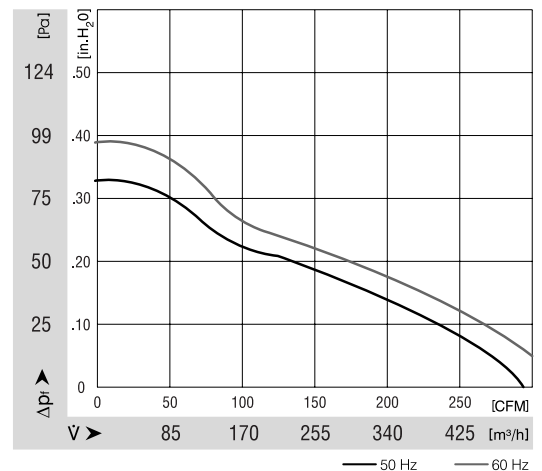
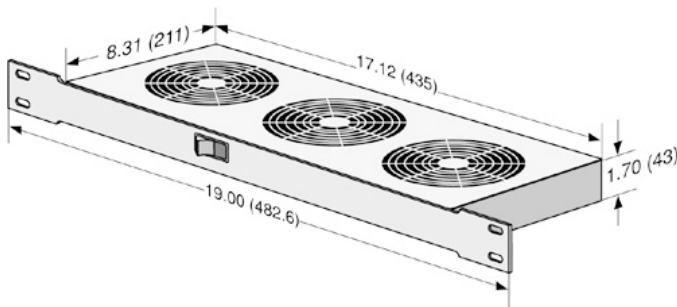
19in.



- Fan Tray with AC fans. External rotor shaped pole motors in fans.
- Sintec-sleeve bearings.
- 6' cord, 3-prong molded plug. Included power switch and fuse.
- Die-cast aluminum housing.
- Ready for insertion into cabinet or enclosure.
- Slides in standard 19" rack.

Part Number	Curve	CFM @ 0	VAC	Hertz	Power (W)	dBA	Max Amb. Temp C	Bearing Type	Features	Wgt. (lbs)
FT-170-318-001	1	318	115	60*	54	56	60	Sintec	Cord and plug	3
FT-170-318-002	1	318	230	60*	54	56	60	Sintec	Cord and plug	3

* 50 Hz data available upon request



ebmpapst

e-mail: sales@us.ebmpapst.com · TEL: 860-674-1515 · FAX: 860-674-8536

ebm-papst Inc., 100 Hyde Road, Farmington, CT 06034 USA

ebm-papst Inc., 2005 © ebm-papst Inc. reserves the right to change any specifications or data without notice