

FT170AC Series

Tubeaxial

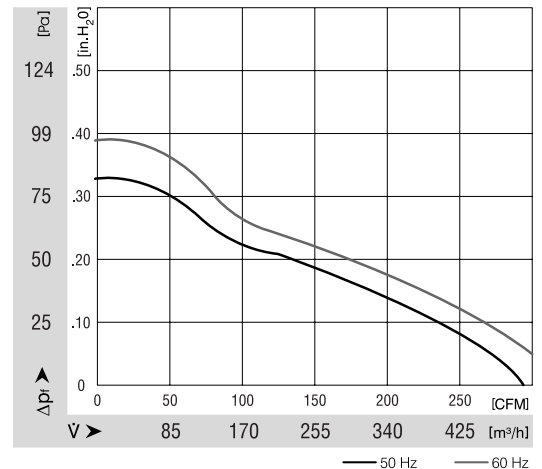
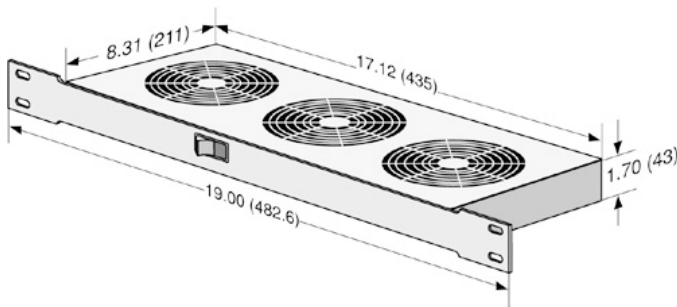
19in.



- Fan Tray with AC fans. External rotor shaped pole motors in fans.
- Sintec-sleeve bearings.
- 6' cord, 3-prong molded plug. Included power switch and fuse.
- Die-cast aluminum housing.
- Ready for insertion into cabinet or enclosure.
- Slides in standard 19" rack.

| Part Number | Curve | CFM @ 0 | VAC | Hertz | Power (W) | dBA | Max Amb. Temp C | Bearing Type | Features | Wgt. (lbs) |
|----------------|-------|---------|-----|-------|-----------|-----|-----------------|--------------|---------------|------------|
| FT-170-318-001 | 1 | 318 | 115 | 60* | 54 | 56 | 60 | Sintec | Cord and plug | 3 |
| FT-170-318-002 | 1 | 318 | 230 | 60* | 54 | 56 | 60 | Sintec | Cord and plug | 3 |

* 50 Hz data available upon request



ebmpapst

e-mail: sales@us.ebmpapst.com · TEL: 860-674-1515 · FAX: 860-674-8536

ebm-papst Inc., 100 Hyde Road, Farmington, CT 06034 USA

ebm-papst Inc., 2005 © ebm-papst Inc. reserves the right to change any specifications or data without notice