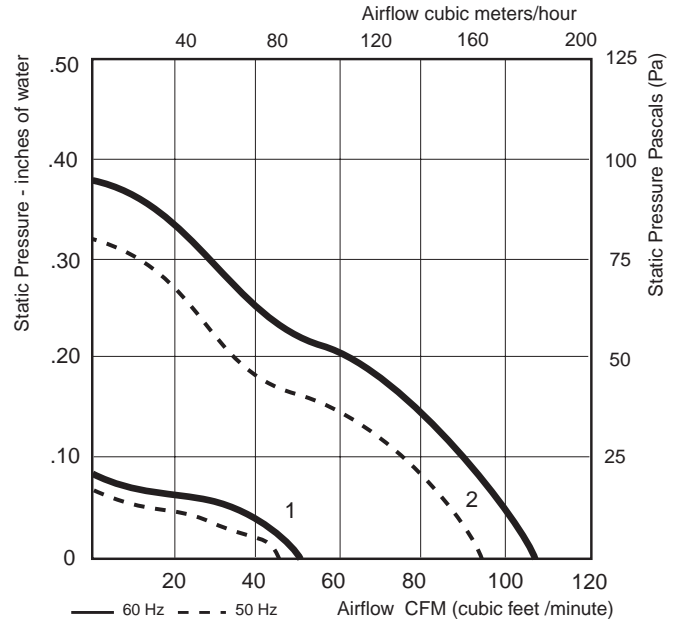
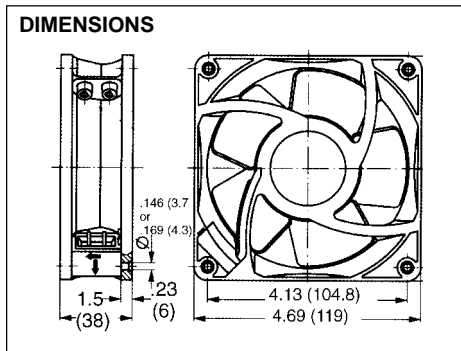


# 119 x 38mm (4.7" X 1.5") AC FAN

# 4000N & X Series

Terminals  
Air Intake – Over Struts



AVAILABLE WITH:

HIGH PERFORMANCE  
**SINTEC**  
SLEEVE BEARING SYSTEM

## 4.69" X 4.69" X 1.50" AC Fan, All Metal, Air intake – Over struts

Curve	PART NUMBER	Type of Bearing	AC Volts	Hertz	Watts	CFM @ 0"	dBA	Temp. Max °C	Wgt. (oz)	Features	Approvals*		
											UL	CSA	VDE
1	<b>4840N**</b>	Sleeve	115	50/60	10	50	26	80	19	Terminals	√	√	√
1	<b>4890N**</b>	Sleeve	230	50/60	10	50	26	80	19	Terminals	√	√	√
2	<b>4600N</b>	Sleeve	115	50/60	18	106	50	60	19	Terminals	√	√	√
2	<b>4600X</b>	Sleeve	115	50/60	18	106	50	60	19	Terminals	√	√	√
2	<b>4600XP</b>	Sleeve	115	50/60	18	106	50	60	19	Terminals	√	√	√
2	<b>4650N</b>	Sleeve	230	50/60	18	106	50	60	19	Terminals	√	√	√
2	<b>4650X</b>	Sleeve	230	50/60	18	106	50	60	19	Terminals	√	√	√
2	<b>4606N</b>	Ball	115	50/60	18	106	51	90	19	Terminals	√	√	√
2	<b>4606X</b>	Ball	115	50/60	18	106	51	90	19	Terminals	√	√	√
2	<b>4656N</b>	Ball	230	50/60	18	106	51	90	19	Terminals	√	√	√
2	<b>4656X</b>	Ball	230	50/60	18	106	51	90	19	Terminals	√	√	√
2	<b>4660N</b>	Sleeve	115/230	50/60	18	106	51	60	19	22 AWG 12.2" Leads	√	√	√
2	<b>4624N</b>	Sleeve	24	50/60	18	106	50	60	19	Terminals	√	√	√

\*\* 4840N and 4890N have air flow of air exhaust over struts.

NOTE: 4600XP has a 5 year warranty

\* UL yellow card E38324, CSA file 27697, VDE file 6617 (4600), 4621 (4650, 4850), 9989 (4606/08)

CONSTRUCTION MOUNTING & CONNECTION	<b>Mounting:</b> Either face using four .169" (4.3mm) holes (N versions) .146" (3.7mm) holes (X versions)	<b>Weight:</b> 19 ounces (550g)
		<b>Housing:</b> Metal with metal impeller
		<b>Connection:</b> Terminals, .118" x .02" (3.0 x .5mm)