

Taylor®

T&B Catalog Number: 08200M
UPC Number: 78621067814
Description: WIRING DUCT NYLON RIVET 1,000

Status: Active

Packaging

Package in Units:	1000
T&B Sold in UM:	EACH
T&B Weight per UOM:	.08 lbs. per 100

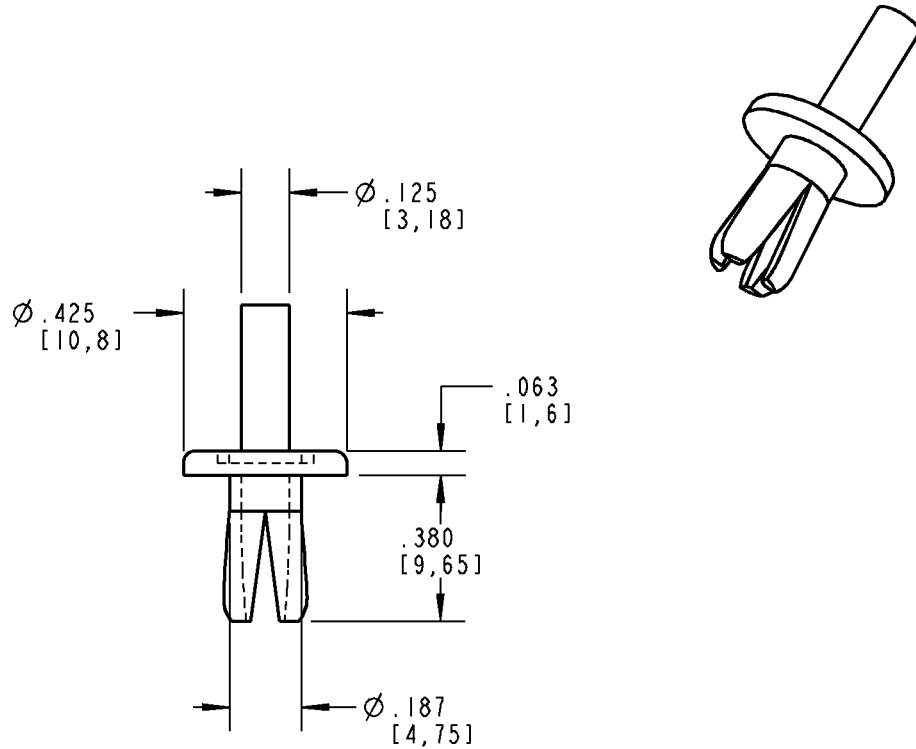
General Information

Country of Origin:	UNITED STATES
Harmonized Code:	3926909980

Application Support

Sales Drawings:	wsd-000197
-----------------	------------

Ty-Duct



CAT. NO. **08200C**

NOTES:

1. MATERIAL: NYLON NATURAL
2. MATERIAL THICKNESS RANGE: .156-.250 [3,96-6,35]
3. MOUNTING HOLE: $\phi .188$ [4,78]
4. RECOMMENDED MAXIMUM LOAD INCH-LBS [NEWTONS]:
 - A) TENSION: 25 [111,2]
 - B) SHEAR: 40 [177,9]
5. INSTALLATION TOOL: CAT. #08205

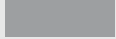
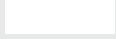


GENERAL NOTES		Thomas & Betts				
1. ALL DIMENSIONS ARE FOR REFERENCE ONLY. 2. DIMENSIONS IN BRACKETS [] ARE IN METRIC UNITS.						
REVISIONS		DRIVE RIVET				
- SEE ERN (****) FOR APPROVAL SIGNATURES & RELEASE DATE. PROJECT NO: ****		DESCRIPTION:	ORIGINAL PROJECT NO / (ERN NO)	SHEET NO:	REV. NO:	DRAWING NO:
			FD55400 / (2005923)	1 OF 1	-	WSD-000197

Trust Thomas and Betts for all your wiring accessories!

Features include:

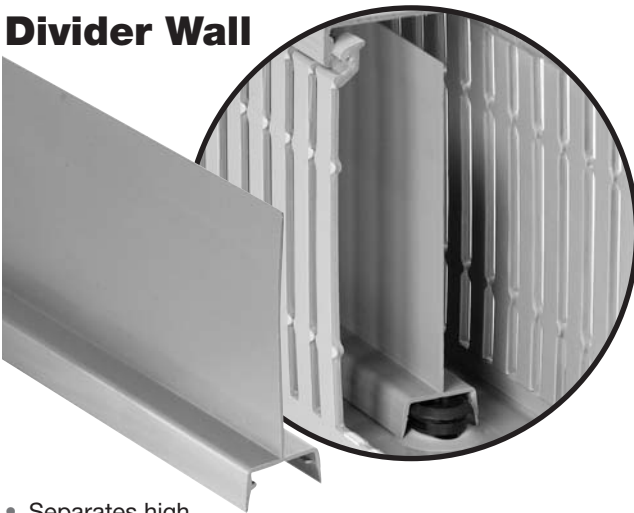
- Divider Walls, enabling multiple channels to be created within a duct channel
- Universal Mounting Clips that secure channels and wires
- Corner Strips that keep corners rigid at tee junctions when used for control panel applications
- Joining Strips to unite sections of duct and keep the wall rigid
- Plastic Rivets for securing ducts quickly and easily

[_] = space for color identifier:

G = Gray	
W = White	
B = Black	
I = Intrinsic Blue	

Create multiple channels inside wiring ducts!

Divider Wall



- Separates high and low voltage to reduce shortages and interference
- Mount inside any Ty-Duct™ PVC wiring duct using Universal Mounting Clips
- Score lines enable sections to be removed
- Solid and Wide Slotted style

CAT. NO.	DESCRIPTION	LENGTH (FT.)	STD. CTN. QTY
TY1D[_]P[_]6	1" High Wall Divider	6	120
TY1.5D[_]P[_]6	1.5" High Wall Divider	6	120
TY2D[_]P[_]6	2" High Wall Divider	6	120
TY3D[_]P[_]6	3" High Wall Divider	6	120
TY4D[_]P[_]6	4" High Wall Divider	6	120
TY5D[_]P[_]6	5" High Wall Divider	6	120

Catalog Number must be completed by adding suffix S for Solid or W for Wide Slot.

Example: TY2DSPG6 is a 2" high solid wall gray divider.

Catalog Number must be completed by adding suffix G for Gray, W for White, I for Intrinsic Blue, B for Black.

Example: TY2DSPG6 is a 2" high solid wall gray divider.

One size fits all!

Universal Mounting Clips



- Added before or after the duct is in place, without additional hardware
- Twists on into place —holds securely
- Installs easily using a screwdriver
- Accommodates up to 40 lb. cable ties
- Black polycarbonate



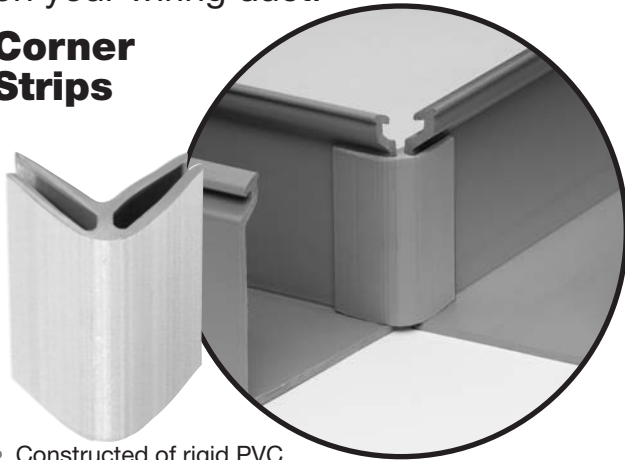
CAT. NO.	DESCRIPTION	QTY
UMC	Universal Fastener Mount	100 pk

Ty-Duct™

Accessories

Install smooth round corners on your wiring duct!

Corner Strips



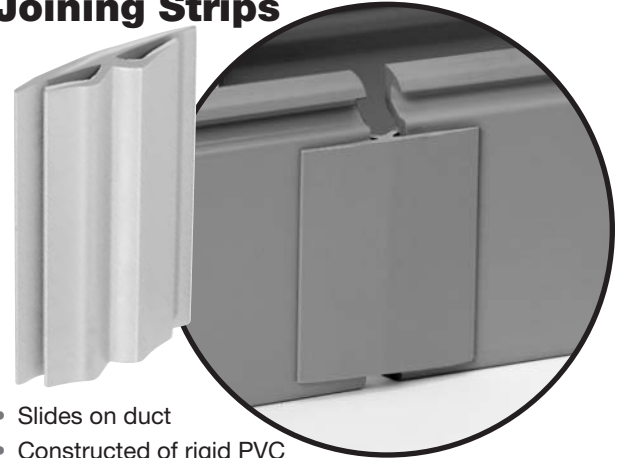
- Constructed of rigid PVC
- One-piece design makes installation a snap
- Works with any Ty-Duct™ wiring duct
- Select from a variety of sizes

CAT. NO.	DESCRIPTION	LENGTH (FT.)	STD. CTN. QTY
TYCS[_]6	Corner Strip	6	120

Catalog Number must be completed by adding suffix G for Gray, W for White, I for Intrinsic Blue, B for Black.
Example: TYCSG6 is a gray corner strip.

Join duct sections easily!

Joining Strips



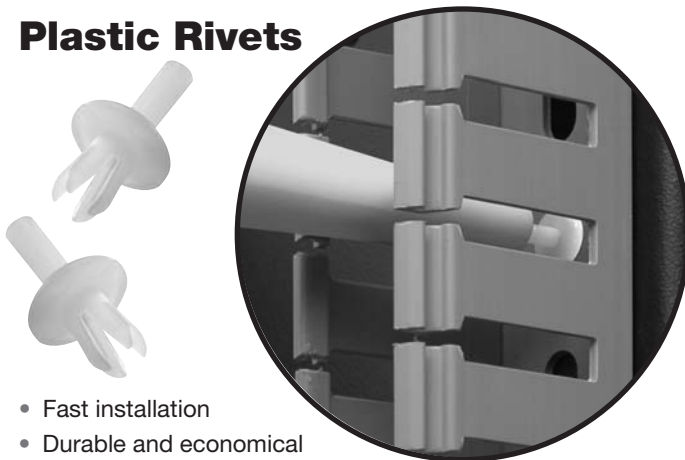
- Slides on duct
- Constructed of rigid PVC
- One-piece design makes installation easy
- Works with any Ty-Duct wiring duct

CAT. NO.	DESCRIPTION	LENGTH (FT.)	STD. CTN. QTY
TYJS[_]6	Joining Strip	6	120

Catalog Number must be completed by adding suffix G for Gray, W for White, I for Intrinsic Blue, B for Black.
Example: TYJSG6 is a gray joining strip.

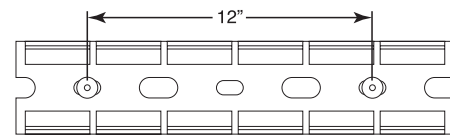
Plastic rivets make mounting ducts easy!

Plastic Rivets

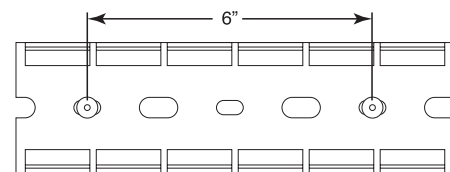


- Fast installation
- Durable and economical
- One size

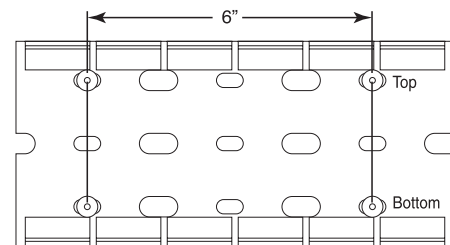
CAT. NO.	DESCRIPTION	QTY
08200C	3/16" Plastic Rivet	100 pk
08200M	3/16" Plastic Rivet	1000 pk



Minimum mounting rivet distance for ducts less than 1 1/2" wide.



Minimum mounting rivet distance for ducts 1 1/2" to 2 1/2" wide.



Minimum mounting rivet distance for ducts greater than 2 1/2" wide. Installed top and bottom.