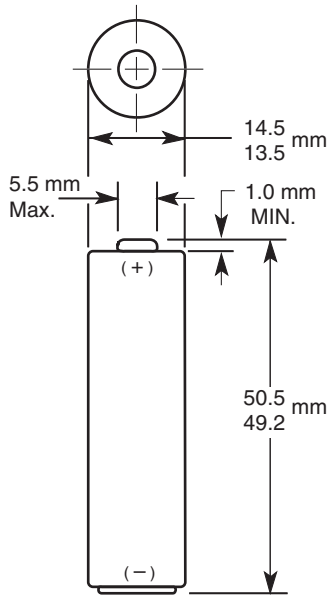


Mallory Super[®] M15SHD/SHD15

Zinc-Carbon Battery

Size: AA (R6)

Zn/C



Dimensions shown are IEC standards

Nominal Voltage:	1.5 V
Nominal Internal Impedance:	250 m-ohm @ 1kHz
Average Weight:	19 gm (0.7 oz.)
Volume:	8.4 cm ³ (0.51 in. ³)
Terminals:	Flat
Operating Temperature Range:	-10°C to 45°C
ANSI:	15D
IEC:	R6

Performance at 21°C				
Application	Load	Daily Period	Cutoff Voltage	Minimum Average Duration*
Toys	3.9 Ohm	1 H/D	0.8 V	60 Mins
Cassette Tape	10 Ohm	1 H/D	0.9 V	4 Hours
Remote Controls	24 Ohm	15 s/m 8 H/D	1.0 V	11 Hours
Radios	43 Ohm	4 H/D	0.9 V	22 Hours

* Minimum Delayed discharge performance after 12 months is 80% of MAD.

* Delivered capacity is dependent on the applied load, operating temperature and cut-off voltage.