

DURACELL

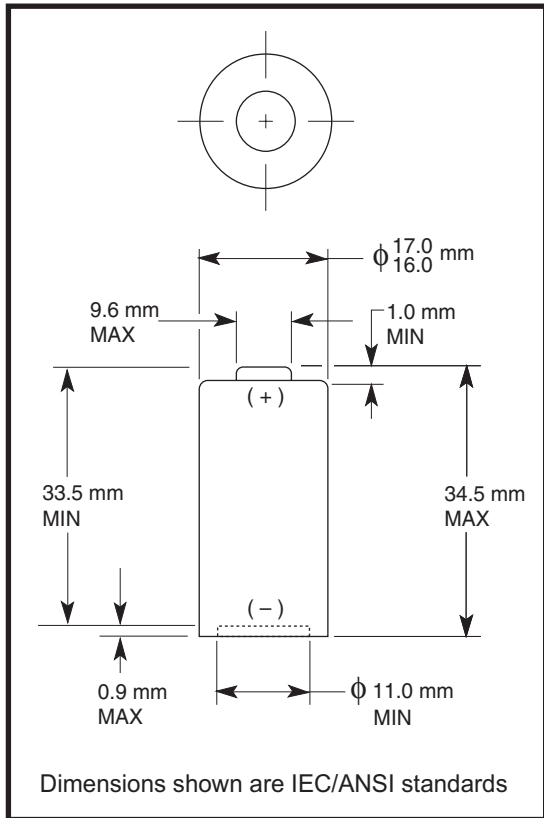
PHOTO

ULTRA

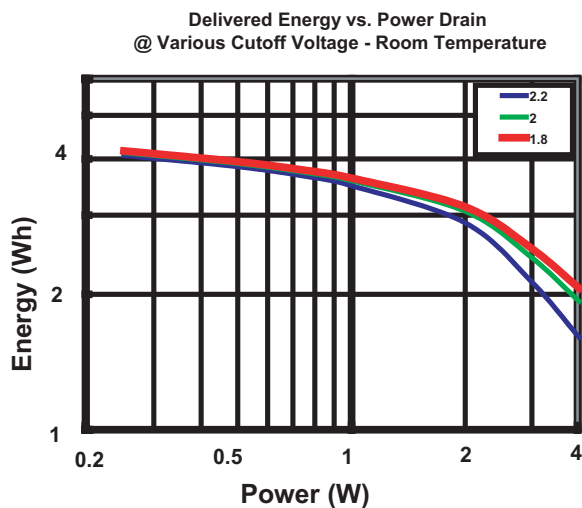
Ultra 123

Lithium/Manganese Dioxide

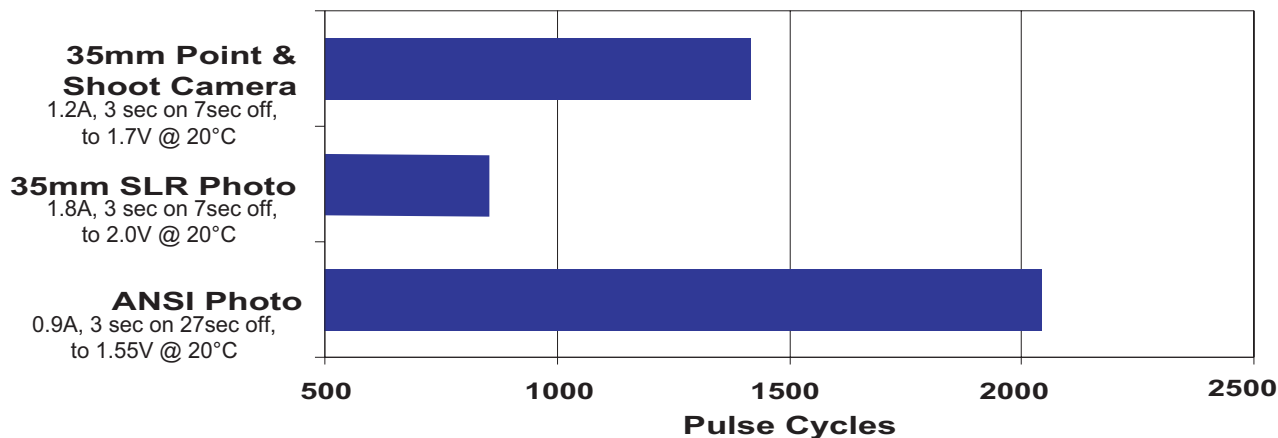
Li/MnO₂



Nominal Voltage:	3.0 V
Typical Voltage:	3.2-3.3 V
Nominal Internal Impedance:	0.25 ohm @ 1kHz
Average Weight:	17.0 gm
Volume:	7.18 cm ³
Terminals:	Flat, Recessed Negative Terminal, Nickel Plated Steel
Operating Temperature Range:	-20°C to 75°C (-4°F to 167°F)
ANSI:	5018LC
IEC:	CR17345



Duracell Ultra 123 Typical Performance



* Delivered capacity is dependent on the applied load, operating temperature and cut-off voltage. Please refer to the charts and discharge data shown for examples of the energy / service life that the battery will provide for various load conditions.