



CREE®

ADHESIVE-BACKED LENS



FEATURES / BENEFITS

- ▲ For CREE XR & XR-E series LEDs
- ▲ Available in spot, diffuser, wide, and oval lenses
- ▲ Integral self-adhesive pad
- ▲ Snap-on sub-lens
- ▲ Greater than 85% efficiency

OPERATING CONDITIONS

- ▲ 105° C max temperature

MATERIALS/FINISH

- ▲ Optical grade PMMA acrylic

ORDERING INFORMATION

BASE LENSES			
Dialight P/N	Reference P/N	Description	Degree*
OPTX1006	OPTX-1-006	OPTX Series Spot Base Module For CREE	6°
SUB-LENSES			
OPAA1DF	OPAA-1-DF	Diffuser Sub-Lens	8°
OPAA1WSL	OPAA-1-WSL	Wide Sub-Lens	18°
OPAA1OSL	OPAA-1-OSL	Oval Sub-Lens	8° X 25°
*All angles refer to half divergence			

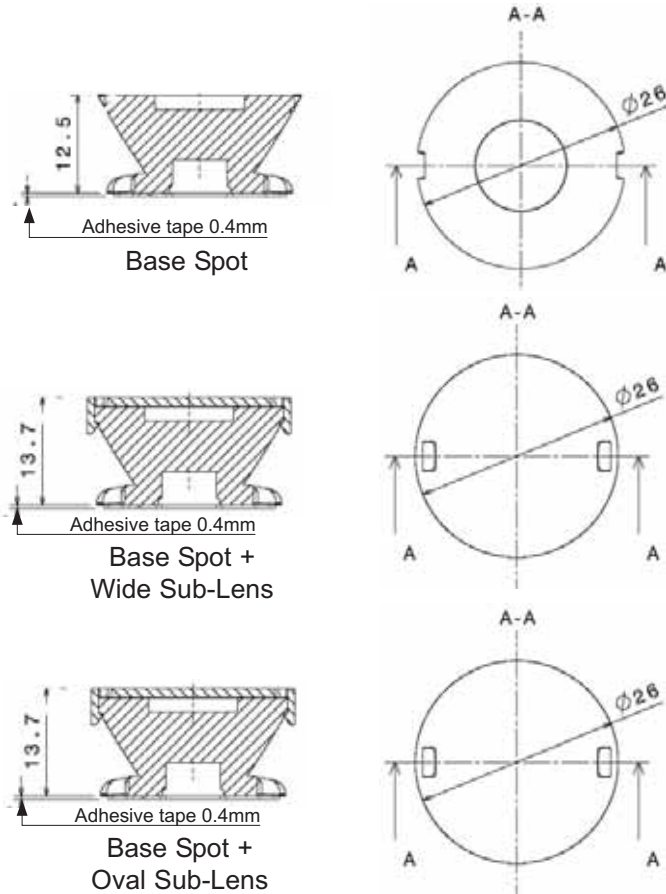
Dialight reserves the right to make changes at any time in order to supply the best product possible.

Dialight Corporation
 1501 Route 34 South • Farmingdale, NJ 07727 USA
 Tel: (1) 732-919-3119 • Fax: (1) 732-751-5778 • www.dialight.com



MDEXLUMADBCREE_B

MECHANICAL DIMENSIONS



Dialight reserves the right to make changes at any time in order to supply the best product possible.

Dialight Corporation
1501 Route 34 South • Farmingdale, NJ 07727 USA
Tel: (1) 732-919-3119 • Fax: (1) 732-751-5778 • www.dialight.com



MDEXLUMADBCREE_B