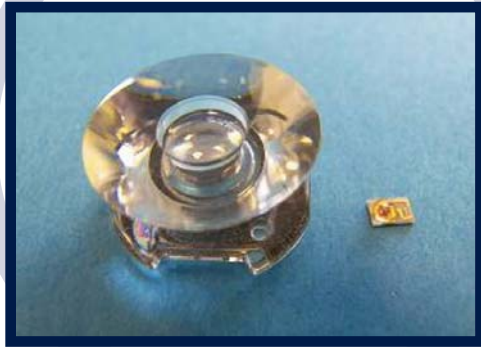




LUMILEDS™ LUXEON® REBEL ADHESIVE-BACKED LENS



FEATURES / BENEFITS

- ▲ For LUXEON Rebel LEDs
- ▲ Available in spot, medium, wide, frosted spot and oval lenses
- ▲ Integral self-adhesive pad
- ▲ Compact size
- ▲ Greater than 80% efficiency
- ▲ 3 alignment tabs to ensure accurate placement over LED
- ▲ Frosted model for even light output within 7° half divergence & smooth tailoff. Designed to minimize hot spots & fringing in color mixing applications
- ▲ Adhesive is approved to ESK-M3G162, WSK-3G184-A4 (Ford motor) & RES22LA06 type 2 (Rover)

OPERATING CONDITIONS

- ▲ -40°C to +120°C temperature

MATERIALS/FINISH

- ▲ Optical grade LEXAN®

ORDERING INFORMATION

BASE LENSES		
Dialight P/N	Description	Degree*
OPC1-1-SPOT	Spot Base Module for LUXEON Rebel	5°
OPC1-1-MED	Medium Base Module for LUXEON Rebel	8°
OPC1-1-WIDE	Wide Base Module for LUXEON Rebel <i>(wide model available Q4 2008)</i>	20°
OPC1-1-OVAL	Oval Base Module for LUXEON Rebel	8° X 25°
OPC1-1-SDIF	Frosted Spot Base Module for LUXEON Rebel	7°
*All angles refer to half divergence		

Dialight reserves the right to make changes at any time in order to supply the best product possible.

Dialight Lumidrives

York House • Weatherby Road • Long Marston, York, YO26 7NH

Tel: 0845 6346161 • Fax: 0845 6346160 • www.dialight.com



Dialight Corporation

1501 Route 34 South • Farmingdale, NJ 07727 USA

Tel: (1) 732-919-3119 • Fax: (1) 732-751-5778 • www.dialight.com

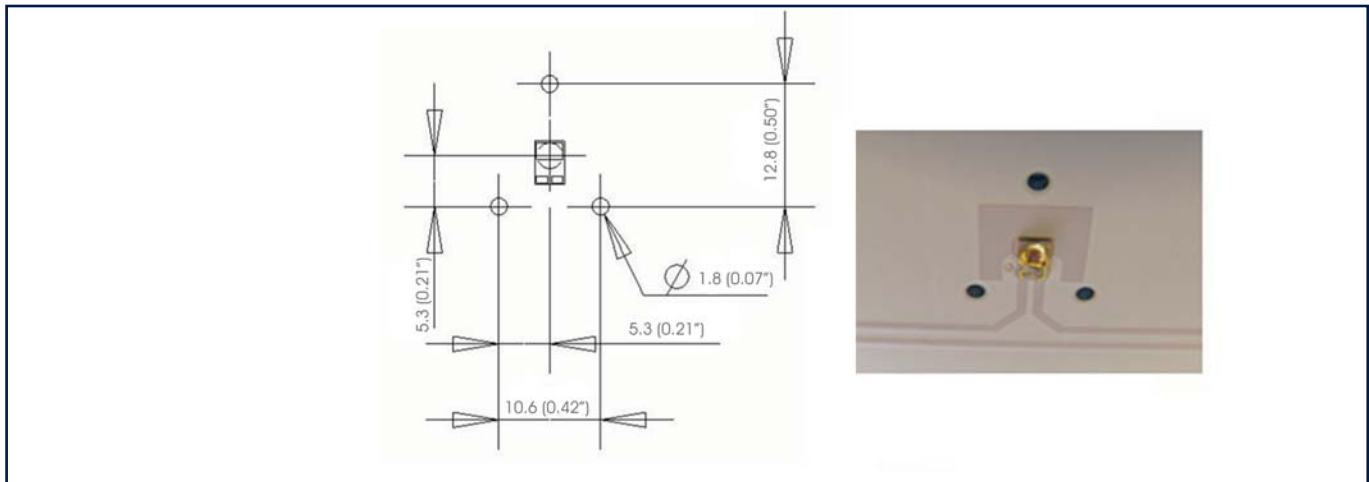


MDEXLUMADBREB_D

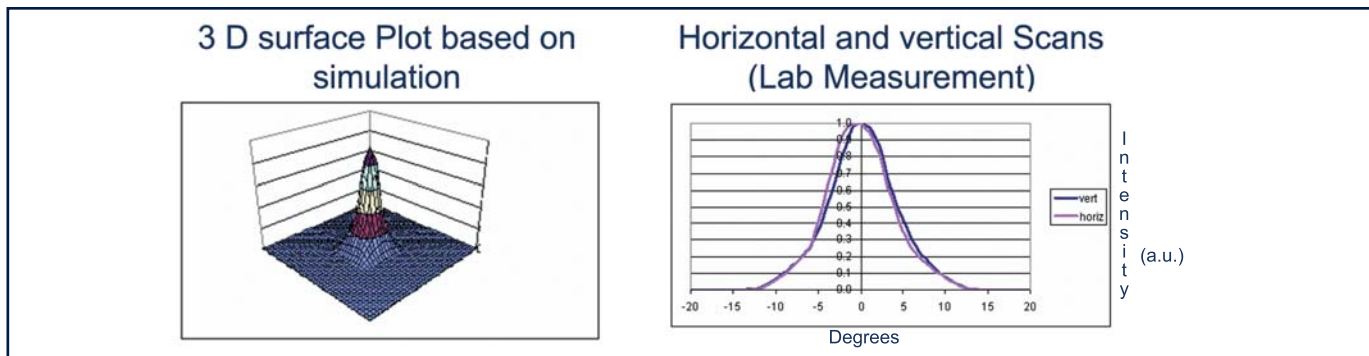
MECHANICAL DIMENSIONS



PCB ALIGNMENT DIMENSION DETAILS



PHOTOMETRIC DATA FOR SPOT VERSION



For photometric data on other models, please contact factory

Dialight reserves the right to make changes at any time in order to supply the best product possible.

Dialight Lumidrive

York House • Weatherby Road • Long Marston, York, YO26 7NH

Tel: 0845 6346161 • Fax: 0845 6346160 • www.dialight.com



Dialight Corporation

1501 Route 34 South • Farmingdale, NJ 07727 USA

Tel: (1) 732-919-3119 • Fax: (1) 732-751-5778 • www.dialight.com



MDEXLUMADBREB_D