

◆ Home > 6161332140F

Part Number: **6161332140F**

General Description

| | |
|----------------------------|---|
| Color | Yellow |
| Series | 616 |
| Description | Yellow LED 16mm Mounting Hole Indicator |
| Housing | Polycarbonate |
| Mounting Method | Lock Washer and Nut |
| Compliance | Front of Panel |
| Termination | Solder Blade |
| Mounting Hole Size | .642" |
| Panel Thickness | .236" |
| Lens Material | polycarbonate |
| Luminous Intensity Typical | 90 |
| Forward Current mA | 15 mA |
| Voltage | 24 VDC |
| Operating Temperature | -25 +85 |
| Storage Temperature | -25 +100 |

Dialight

616 Series LED Panel Mount Indicators for 16mm Mounting Hole



FEATURES / BENEFITS

- ▲ RoHS Compliant
- ▲ Long Life - typically 100K hours
- ▲ Low power consumption - uses up to 90% less energy than an incandescent indicator
- ▲ No heat generated
- ▲ Colors include red, green and yellow
- ▲ Front panel mounting

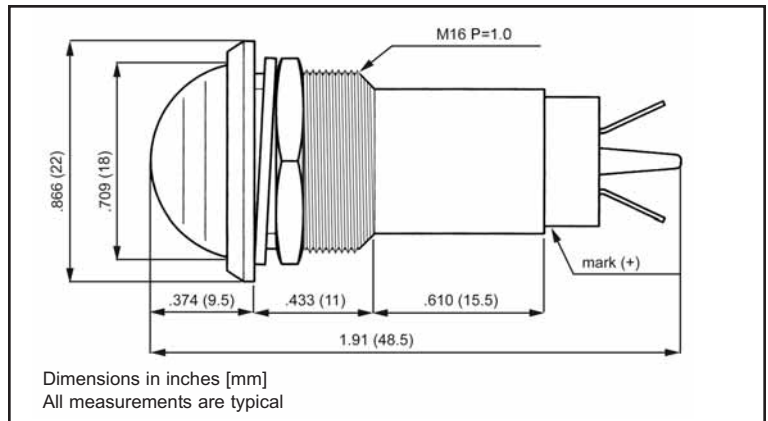
APPLICATIONS

Dialight's 600 series of metric indicators are designed for a variety of applications such as:

- Main and remote power indication
- Status Indication
- Maintenance and warning indication
- Instrumentation
- ...and many more!

SPECIFICATIONS

- ▲ Voltage requirements: 6, 12 and 24 VDC (No limiting resistor required)
- ▲ Electrical connection through solder terminals
- ▲ Mounting hole size: 0.642 inches (16.3 mm)
- ▲ Maximum panel thickness: 0.236 inches (6.3 mm)
- ▲ Mounts with lock washer and nut (0.217 lbs/ft or 3 Kg/cm torque recommended)
- ▲ Operating Temperature : -25°C to +85°C
- ▲ Storage Temperature: -25°C to +100°C
- ▲ Housing Material: Polycarbonate
- ▲ Lens Material: Polycarbonate to match emitting color



| Part Number | Color | Voltage (VDC) | Current (mA) | Typ. Intensity (mcd) | RoHS Compliant |
|---------------|--------|---------------|--------------|----------------------|----------------|
| 616-1132-120F | Red | 6 | 15 | 60 | ✓ |
| 616-1232-120F | Green | 6 | 15 | 110 | ✓ |
| 616-1332-120F | Yellow | 6 | 15 | 90 | ✓ |
| 616-1132-130F | Red | 12 | 15 | 60 | ✓ |
| 616-1232-130F | Green | 12 | 15 | 110 | ✓ |
| 616-1332-130F | Yellow | 12 | 15 | 90 | ✓ |
| 616-1132-140F | Red | 24 | 15 | 60 | ✓ |
| 616-1232-140F | Green | 24 | 15 | 110 | ✓ |
| 616-1332-140F | Yellow | 24 | 15 | 90 | ✓ |

Dialight reserves the right to make changes at any time in order to supply the best product possible.

Dialight Corporation

