

◆ Home > 5977701207F

Part Number: **5977701207F**



General Description

Series	597
Configuration	PLCC-4
Description	SMD LED PLCC R/G 7" Reel
Package Options	Tape and Reel
Lamp Type	Bi-Color
Lens Color	Non-Diffused

Absolute Maximum Ratings (Ta = 25°)

Solder Temperature	245° for 15 sec
Operating Temperature	-40~ +100
Storage Temperature	-40~ +100

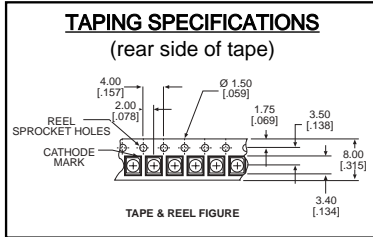
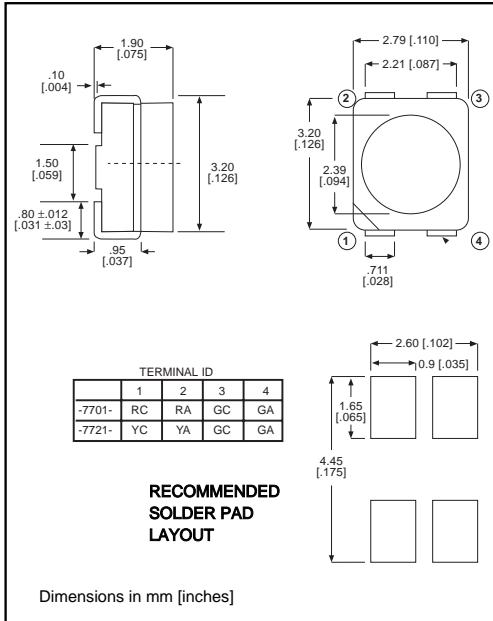
Operating Characteristics

		
Color	Red	Green
Luminous Intensity Min	4.5	
Luminous Intensity Typical	11.3	11.3
Luminous Intensity Max	18	
Dominant Wavelength Typical	628nm	570nm
Power Dissipation Max	95mW	95mW



This is a
RoHS Compliant Product
To learn more click here





PART NO.*	COLOR
597-7701-2xx	Red/Green
597-7721-2xx	Yellow/Green

Features

- Compatible with automatic placement equipment
- Compatible with infrared reflow processes
- Packaged on 8mm tape, 7" reels (meets EIA-481-1 standard)
- Helps to eliminate mixed technology PC board processing
- Compatible with Dialight's Optopipe™ Series light pipes

***ORDERING INFORMATION**

597-77x1-2xx

packaging option \uparrow

02	20 pieces on tape
07	7" reel, 1500 pcs/reel

ABSOLUTE MAXIMUM RATINGS (T _A =25°C)	Red/Green	Yellow/Green
	-7701	-7721
Power Dissipation (mW)	100/100	60/100
Forward Current (mA)	30/30	20/30
Derating (mA/°C) From 50°C	.6/.6	.4/.6
Peak Current (mA)	120/120	80/100
Pulse width 10 μs		
Operating Temperature (°C)	-55/+100	-55/+100
Storage Temperature (°C)	-55/+100	-55/+100
Soldering Profile	235°C peak 15 seconds, 185° for 90 seconds	

Solder Adherence per MIL-STD-202E, Method 208C

OPERATING CHARACTERISTICS (T _A =25°C)		Red/Green	Yellow/Green
		-7701	-7721
Luminous Intensity (mcd)	Min.	8/8	8/8
	Typical	16/16	16/16
Peak Wavelength (nm)	Typical	630/565	585/565
λ _{Peak}			
Viewing Angle (2Θ _{1/2})	Typical	120°	120°
Forward Voltage (V)	Typical	2/2.1	1.8/2.1
	Max.	2.6/2.6	2.7/2.6

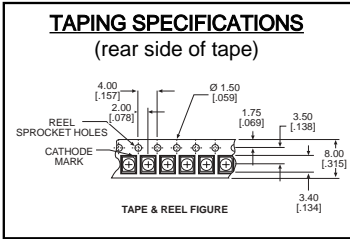
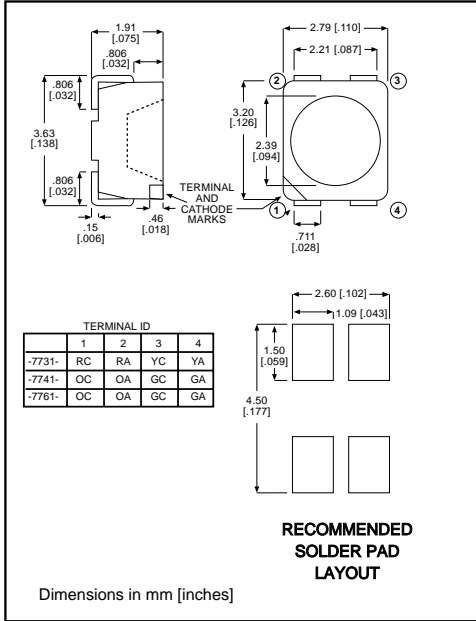
Θ_{1/2} is the off axis angle at which the luminous intensity is half the axial luminous intensity



Surface Mount LED Bi-Color



597-7731-2xx
597-7741-2xx
597-7761-2xx



PART NO.*	COLOR	
597-7731-2xx	Red/Yellow	
597-7741-2xx	Orange/Green	
597-7761-2xx	Orange/ Pure Green	

Features

- Compatible with automatic placement equipment
- Compatible with infrared reflow processes
- Packaged on 8mm tape, 7" reels (meets EIA-RS-481-1 standard)
- Helps to eliminate mixed technology PC board processing
- Compatible with Dialight's Optopipe™ Series light pipes

***ORDERING INFORMATION**

597-77x1-2xx

packaging option →

02	20 pieces on tape
07	7" reel, 2000 pcs/reel

ABSOLUTE MAXIMUM RATINGS ($T_A=25^\circ\text{C}$)	Red/Yellow -7731	Orange/Green -7741	Orange/Pure Green -7761
Power Dissipation (mW)	100/100	100/100	100/100
Forward Current (mA)	30/30	30/30	30/30
Derating (mA/°C) From 55°C	.66/.66	.66/.66	.66/.66
Peak Current (mA)	500	500	500
<i>Pulse width 10 μs</i>			
Operating Temperature (°C)	-55/+100	-55/+100	-55/+100
Storage Temperature (°C)	-55/+100	-55/+100	-55/+100
Soldering Profile	235°C peak 15 seconds, 185° for 90 seconds		

Solder Adherence per MIL-STD-202E, Method 208C

OPERATING CHARACTERISTICS ($T_A=25^\circ\text{C}$)		Red/Yellow -7731	Orange/Green -7741	Orange/Pure Green -7761
Luminous Intensity (mcd)	Min.	2.5/2.5	4/4	2.5/2.5
	Typical	7.3/6.8	8/8	5/5
Peak Wavelength (nm)	Typical	635/586	610/565	610/557
λ_{Peak}				
Viewing Angle ($2\theta_{1/2}$)	Typical	120°	120°	120°
Forward Voltage (V)	Typical	2/2	2/2	2/2
	Max.	2.6/2.6	2.6/2.6	2.6/2.6
Reverse Voltage (V), $I_R=10\mu\text{A}$	Min.	5	5	5

$\theta_{1/2}$ is the off axis angle at which the luminous intensity is half the axial luminous intensity