

◆ Home > 5973021507F

Part Number: **5973021507F**


### General Description

Series	597
Configuration	1208 Package
Description	SMD LED 1208 Red 7" Reel
Package Options	Tape and Reel
Lamp Type	Single Color
LED Type	GaAsP
Lens Color	Non-Diffused

### Absolute Maximum Ratings (Ta = 25°)

Forward Current mA	25mA
Forward Current Pulsed	60mA
Derating	from 25° @ .42mA/°C
Solder Temperature	260° for 5 sec
Operating Temperature	-30~+86
Storage Temperature	-40~+85

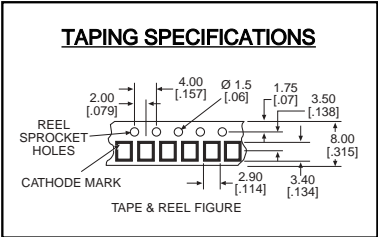
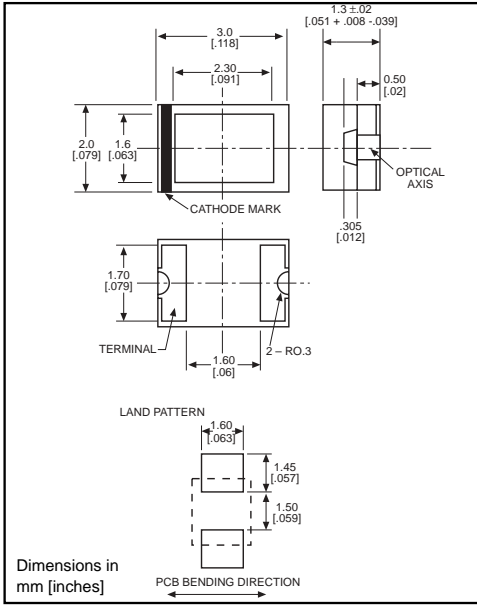
### Operating Characteristics

Color	 Red
Luminous Intensity Min	2.2
Luminous Intensity Typical	6.3
Luminous Intensity Max	10.4
Test Current mA	20mA
Dominant Wavelength Typical	653nm
Power Dissipation Max	70mW



This is a  
RoHS Compliant Product  
To learn more click here





PART NO.*	COLOR
597-3021-5xx	Red
597-3111-5xx	AlGaAs Red
597-3211-5xx	Orange
597-3301-5xx	Green
597-3401-5xx	Yellow

**Features**

- Compatible with automatic placement equipment
- Compatible with infrared reflow processes
- Packaged on 8mm tape, 7" reels (meets EIA-481-1 standard)
- Helps to eliminate mixed technology PC board processing
- Compatible with Dialight's Optopipe™ Series light pipes

**\*ORDERING INFORMATION**

**597-3xx1-5xx**

packaging option →

02	20 pieces on tape
07	7" reel, 2500 pcs/reel

<b>ABSOLUTE MAXIMUM RATINGS</b> (T <sub>A</sub> =25°C)	Red <b>-3021</b>	AlGaAs Red <b>-3111</b>	Orange <b>-3211</b>	Green <b>-3301</b>	Yellow <b>-3401</b>
Power Dissipation (mW)	70	75	70	70	70
Forward Current (mA)	25	30	25	25	25
Derating (mA/°C) Above 25°C	.42	.42	.42	.42	.42
Peak Current (mA)	60	75	60	60	60
<i>Pulse width = 1 ms</i>					
Operating Temperature (°C)	-30/+85	-30/+85	-30/+85	-30/+85	-30/+85
Storage Temperature (°C)	-40/+85	-40/+85	-40/+85	-40/+85	-40/+85
Soldering Profile	240°C peak, max 10 seconds				

Solder Adherence per MIL-STD-202E, Method 208C

<b>OPERATING CHARACTERISTICS</b> (T <sub>A</sub> =25°C)	Red <b>-3021</b>	AlGaAs Red <b>-3111</b>	Orange <b>-3211</b>	Green <b>-3301</b>	Yellow <b>-3401</b>
Luminous Intensity (mcd)	Min. 2.2	5.6	3.6	5.6	2.2
I <sub>F</sub> =20mA	Typical 6.3	16	10	16	6.3
Peak Wavelength (nm)	Typical 650	660	610	563	585
λ Peak					
Viewing Angle (2θ ½)	Typical 104°	104°	104°	104°	104°
Forward Voltage (V)	Typical 2	1.75	2	2.2	2.1
I <sub>F</sub> =20mA	Max. 2.8	2.5	2.8	2.8	2.8
Reverse Current (µA)	Max 100	100	100	100	100
(V <sub>R</sub> = 4V)					

θ ½ is the off axis angle at which the luminous intensity is half the axial luminous intensity