




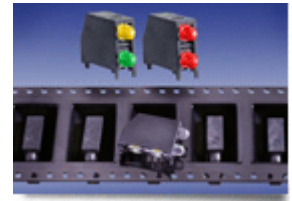
Part Number: **5922631002F**

General Description

Series	592
Configuration	3 mm Lens
Description	Blue/Yellow-Green 3mm Bi-Level Prism CBI Surface Mount LED
Package Options	Sample Strip
Sizes	3mm
Lamp Type	Single Color (pos 1), Bi-Color (pos 2)
Compliance	UL 94V-0

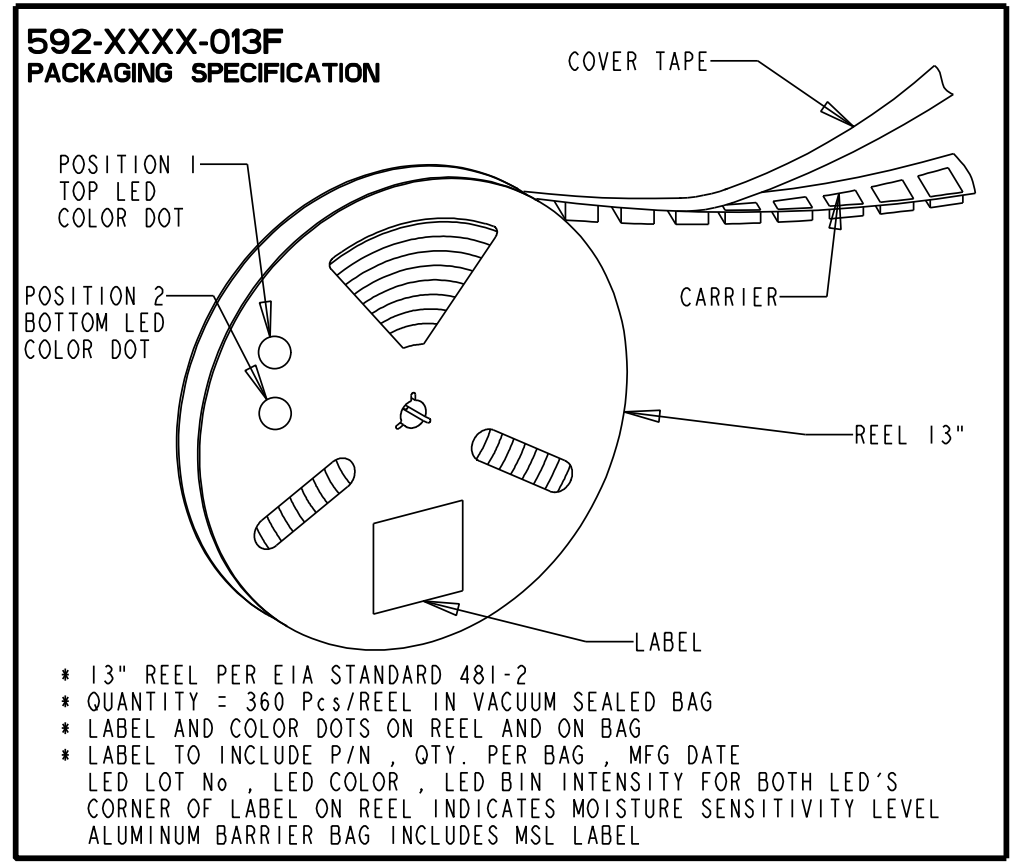
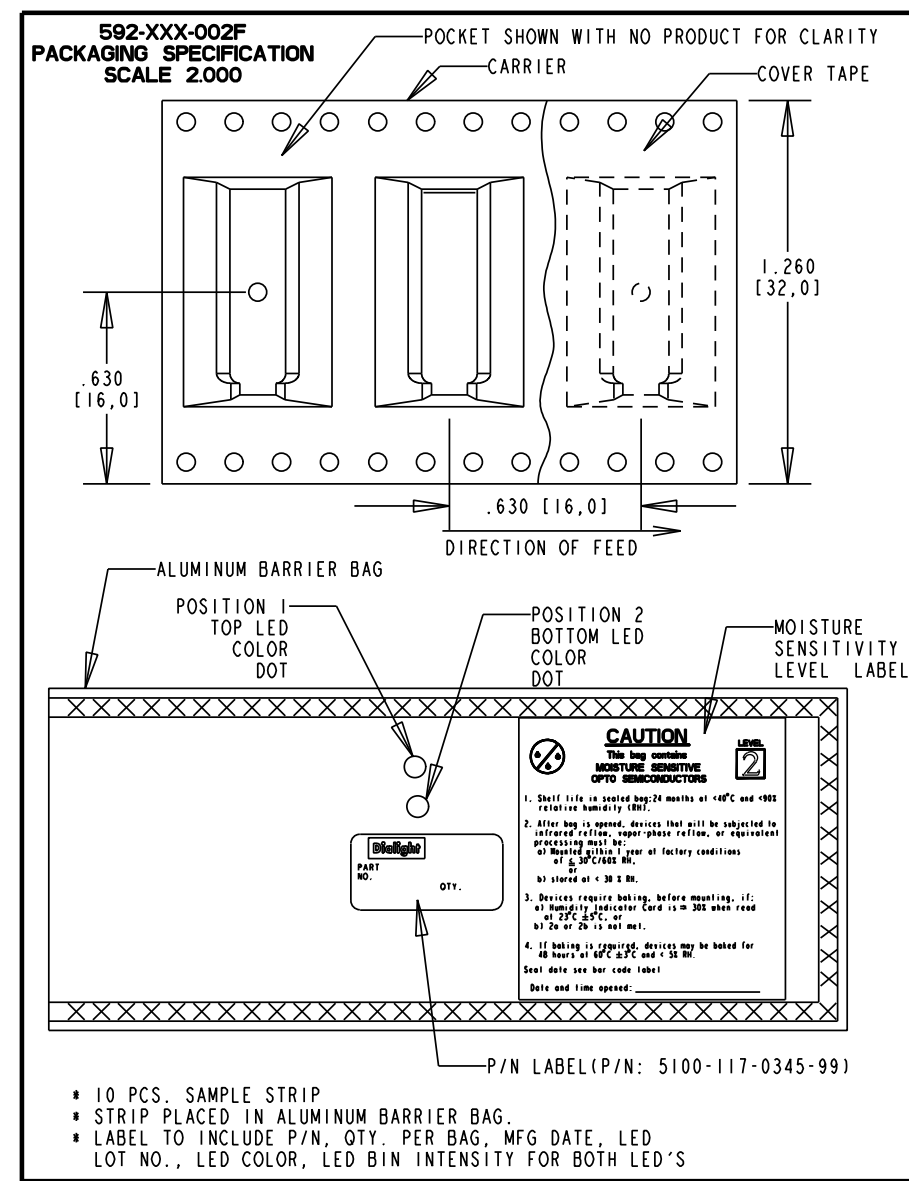
Operating Characteristics

	LED Position: 1	LED Position: 2	
Color	 Blue	 Yellow	 Green
Luminous Intensity Typical	6	6.5	8
Dominant Wavelength Typical	428nm	586nm	570nm
Power Dissipation Max	100mWmW	100mWmW	100mWmW

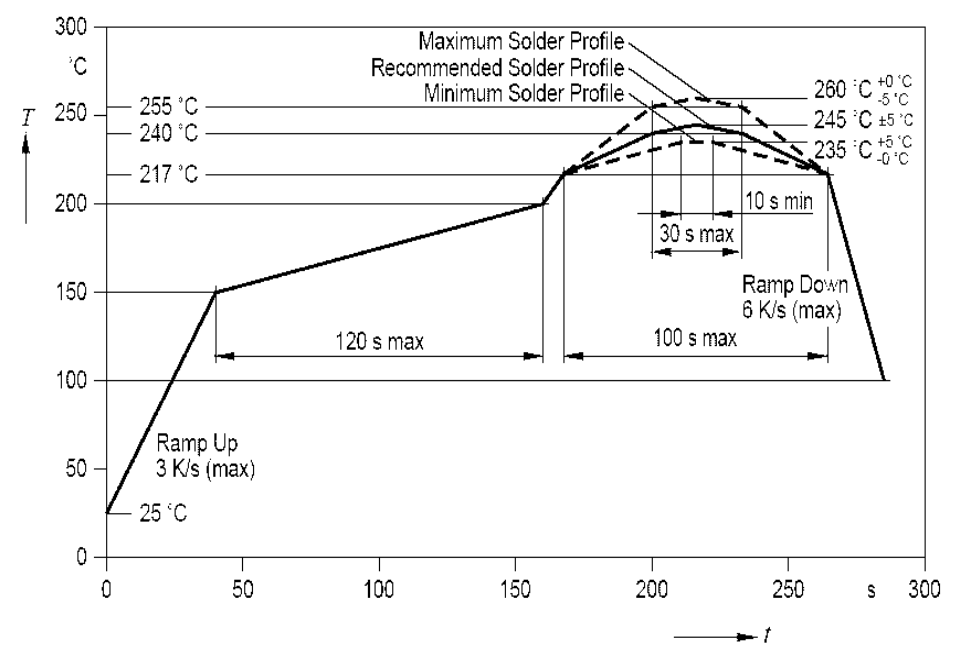


This is a
RoHS Compliant Product
[To learn more click here](#)

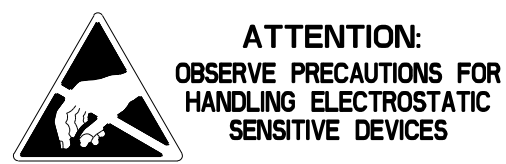
PART NUMBER	POSITION 1	POSITION 2	MOISTURE LEVEL
592-2020-002F	RED (HI.EFF)	RED (HI.EFF)	2
592-2020-013F	RED (HI.EFF)	RED (HI.EFF)	2
592-2023-002F	RED (HI.EFF)	GREEN	2
592-2023-013F	RED (HI.EFF)	GREEN	2
592-2121-002F	RED (AlGaAs)	RED (AlGaAs)	2
592-2121-013F	RED (AlGaAs)	RED (AlGaAs)	2
592-2124-002F	RED (AlGaAs)	YELLOW	2
592-2124-013F	RED (AlGaAs)	YELLOW	2
592-2222-002F	GREEN (HI.INT)	GREEN (HI.INT)	2
592-2222-013F	GREEN (HI.INT)	GREEN (HI.INT)	2
592-2320-002F	GREEN	RED (HI.EFF)	2
592-2320-013F	GREEN	RED (HI.EFF)	2
592-2323-002F	GREEN	GREEN	2
592-2323-013F	GREEN	GREEN	2
592-2324-002F	GREEN	YELLOW	2
592-2324-013F	GREEN	YELLOW	2
*592-2326-002F	GREEN	BLUE (InGaN)	2
*592-2326-013F	GREEN	BLUE (InGaN)	2
592-2420-002F	YELLOW	RED (HI.EFF)	2
592-2420-013F	YELLOW	RED (HI.EFF)	2
592-2422-002F	YELLOW	GREEN (HI.INT)	2
592-2422-013F	YELLOW	GREEN (HI.INT)	2
592-2423-002F	YELLOW	GREEN	2
592-2423-013F	YELLOW	GREEN	2
592-2424-002F	YELLOW	YELLOW	2
592-2424-013F	YELLOW	YELLOW	2
592-2525-002F	ORANGE	ORANGE	2
592-2525-013F	ORANGE	ORANGE	2
*592-2626-002F	BLUE (InGaN)	BLUE (InGaN)	2
*592-2626-013F	BLUE (InGaN)	BLUE (InGaN)	2
592-2627-002F	BLUE	YELLOW	2
592-2627-013F	BLUE	YELLOW	2
592-2628-002F	BLUE	WHITE	2
592-2628-013F	BLUE	WHITE	2
592-2631-002F	BLUE	YELLOW / GREEN	2
592-2631-013F	BLUE	YELLOW / GREEN	2
592-2627-002F	BLUE	YELLOW	2
592-2627-013F	BLUE	YELLOW	2
592-2727-002F	YELLOW (AlInGaP)	YELLOW (AlInGaP)	2
592-2727-013F	YELLOW (AlInGaP)	YELLOW (AlInGaP)	2
*592-2828-002F	WHITE	WHITE	2
*592-2828-013F	WHITE	WHITE	2
592-3030-002F	RED / GREEN	RED / GREEN	2
592-3030-013F	RED / GREEN	RED / GREEN	2
*592-3126-002F	YELLOW / GREEN	BLUE (InGaN)	2
*592-3126-013F	YELLOW / GREEN	BLUE (InGaN)	2
592-3131-002F	YELLOW / GREEN	YELLOW / GREEN	2
592-3131-013F	YELLOW / GREEN	YELLOW / GREEN	2
592-3232-002F	RED / YELLOW	RED / YELLOW	2
592-3232-013F	RED / YELLOW	RED / YELLOW	2
592-3535-002F	RED/GREEN/BLUE	RED/GREEN/BLUE	2
592-3535-013F	RED/GREEN/BLUE	RED/GREEN/BLUE	2
592-3031-002F	RED/GREEN	YELLOW/GREEN	2
592-3031-013F	RED/GREEN	YELLOW/GREEN	2
* ESD SENSITIVE - SEE CAUTION NOTE			



REV.	ECN NO.	REVISIONS	DRN.	CKD.	APP.	DATE
A		NEW RELEASE	TWC	NO	MES	2-22-05
B		ADDED P-N 592-2627-002F & 592-2627-013F & ESD LOGO	SM			

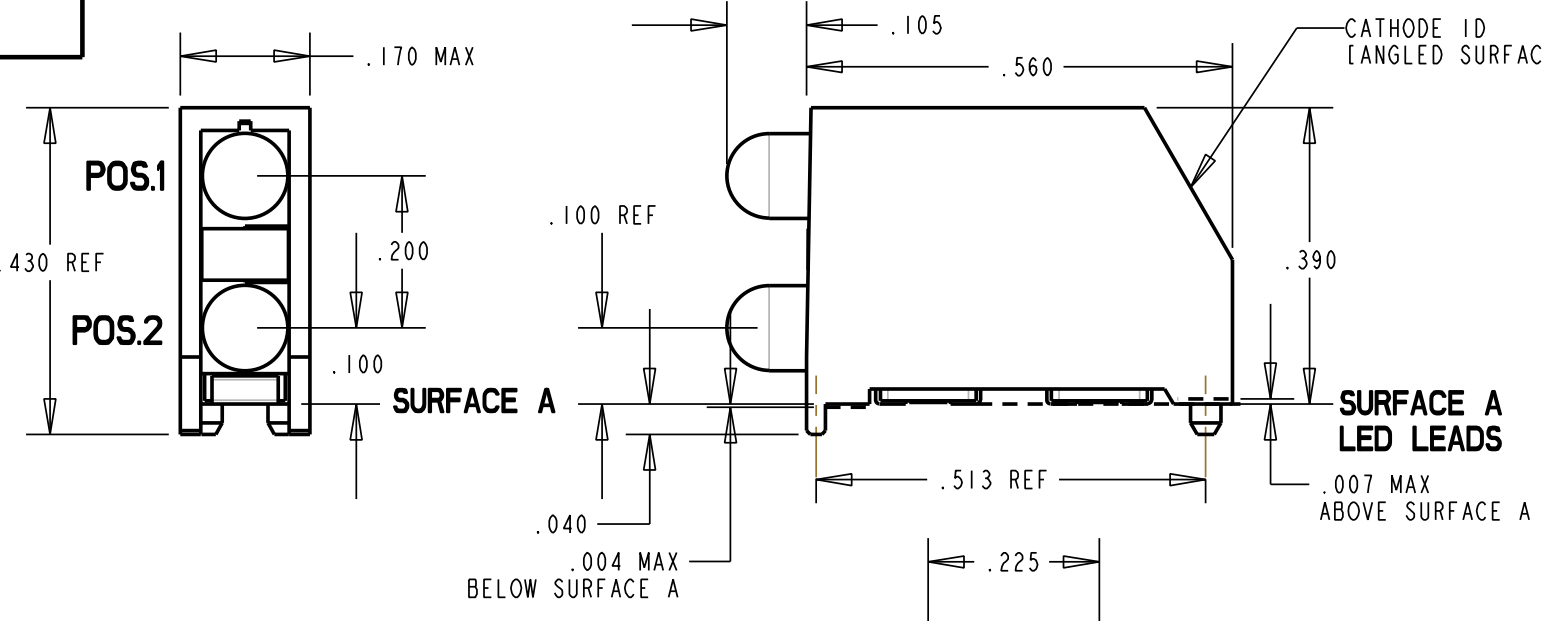


REFLOW PROFILE FOR RoHS COMPLIANT PART

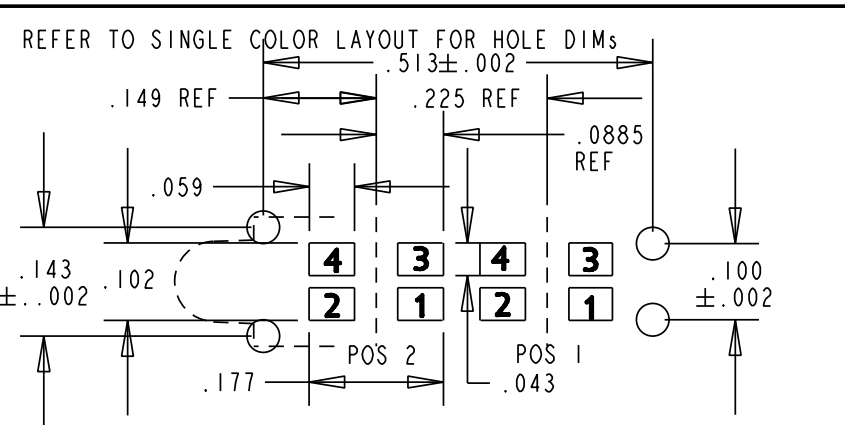


ATTENTION:
OBSERVE PRECAUTIONS FOR HANDLING ELECTROSTATIC SENSITIVE DEVICES

- NOTES:
- STORAGE OF TAPED PARTS SHALL NOT EXCEED TWELVE (12) MONTHS AFTER WHICH RE-PACKAGING IS REQUIRED
 - FRONT AND REAR TERMINALS (OF EACH LED) OF THE ASSEMBLY TO BE WITHIN .005 COPLANARITY
 - MOISTURE SENSITIVITY LEVEL
A LABEL WILL BE PLACED ON THE BAG - CHECK CHART FOR PROPER LEVEL
 - *** CAUTION ***
FOR PRODUCTS THAT ARE ESD SENSITIVE OBSERVE PRECAUTIONS IN HANDLING ELECTROSTATIC SENSITIVE DEVICES. FOR EYE SAFETY DO NOT STARE DIRECTLY INTO THE LIGHT BEAM OF THESE LED DEVICES AT CLOSE RANGE
 - DIALIGHT PART NUMBERS =
592-XXX-002F [STRIP]
592-XXXX-013F [13" REEL]

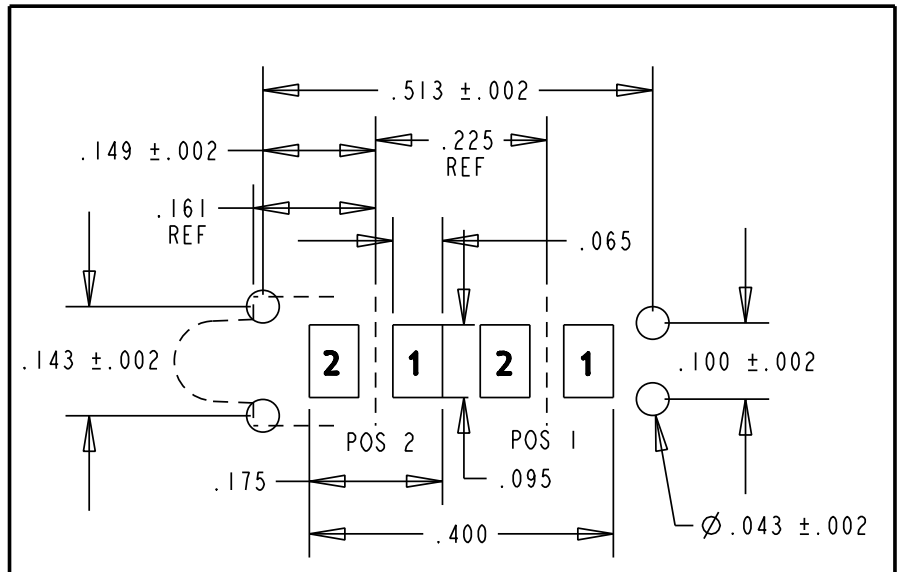


++ SINGLE COLOR LED SHOWN ++



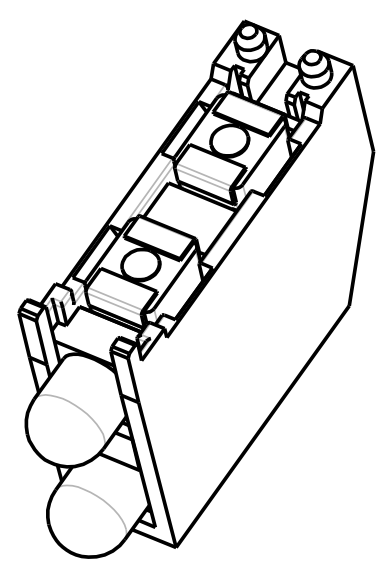
LED COLOR	PIN 1	PIN 2	PIN 3	PIN 4
RED / YELLOW	RED CATHODE	RED ANODE	YELLOW ANODE	YELLOW CATHODE
GREEN / YELLOW	YELLOW CATHODE	YELLOW ANODE	GREEN ANODE	GREEN CATHODE
RED / GREEN	RED CATHODE	RED ANODE	GREEN ANODE	GREEN CATHODE
R/G/B TRI-COLOR	RED CATHODE	COMMON ANODE	GREEN CATHODE	BLUE CATHODE

RECOMMENDED PAD LAYOUT - MULTI-COLOR

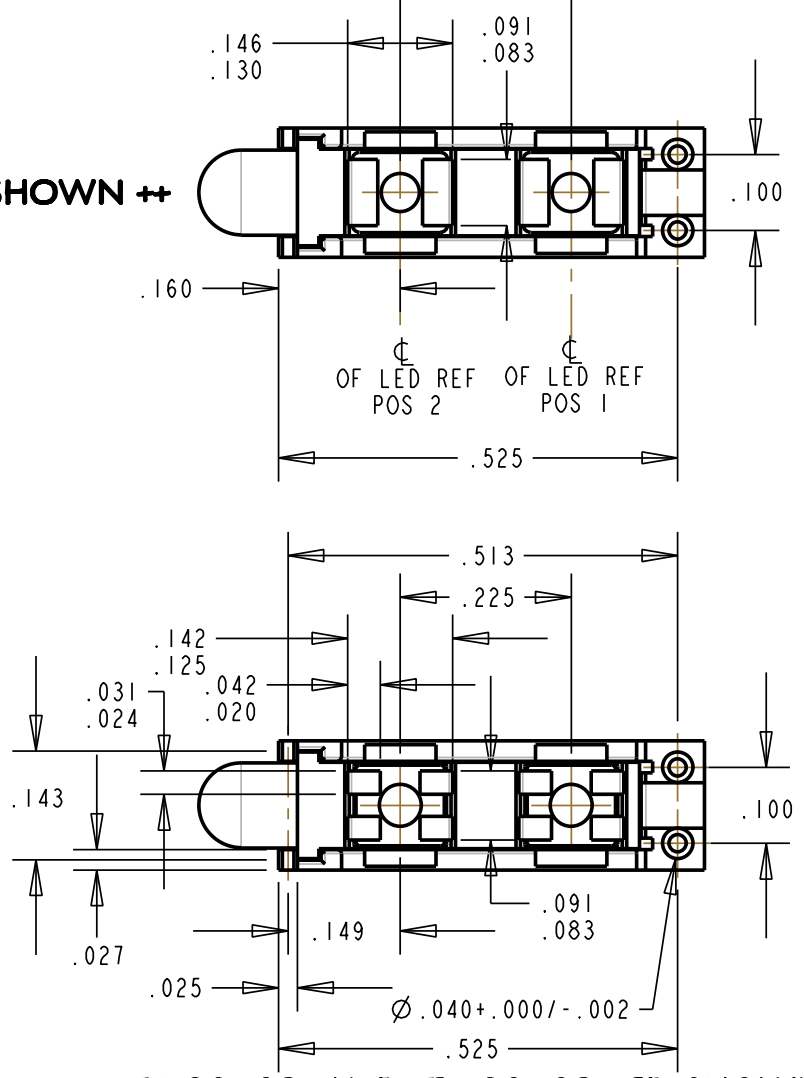


LED COLOR	PIN 1	PIN 2
SINGLE COLOR	CATHODE	ANODE

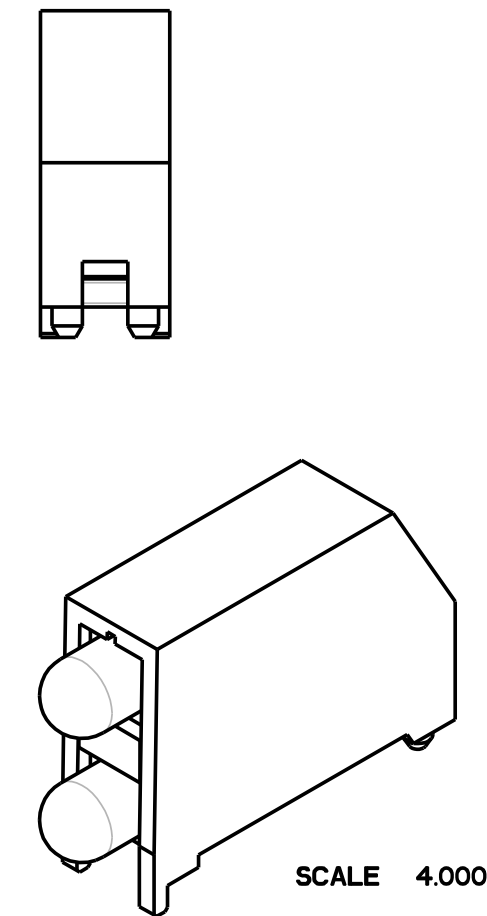
RECOMMENDED PAD LAYOUT - SINGLE COLOR



SCALE 4.000



++ BI-COLOR AND TRI-COLOR LED SHOWN ++ WITH TERMINAL DIMENSIONS



SCALE 4.000

RoHS Compliant 592 Bi-level Surface Mount Prism

Part Numbers with the "F" suffix ending are RoHS Compliant.
Example: 592-2020-002F, 592-3535-013F
The bag and reel are marked with "RoHS Compliant" label or equivalent markings. Parts can be reflow soldered to the Reflow Profile shown using typical lead-free soldering process with max 260°C peak temp.

SCALE: 4.000	DRAWING NUMBER	REV
ALL DIM'S IN: INCHES (MM)	C-17285	A
TOLERANCES: UNLESS OTHERWISE SPECIFIED	TITLE	BI-LEVEL PRISM
FRACTIONS: ±1/64		RoHS COMPLIANT
DECIMALS (.XX): ±.02	MATERIAL	
DECIMALS (.XXX): ±.015		
DECIMALS (.XXXX): ±.0005		
ANGLES: ±3°		
FINISH:	Dialight	
FSCM 83330	SHEET 1 OF 1	FAMILY TABLES: