

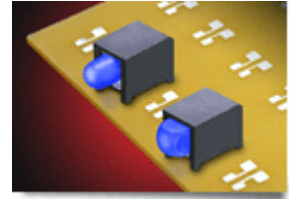
Part Number: **5913101002F**

General Description

| | |
|-----------------|----------------------------|
| Series | 591 |
| Configuration | 3 mm Lens |
| Description | 3MM PRISM-Y/G SAMPLE STRIP |
| Package Options | Sample Strip |
| Sizes | 3mm |
| Lamp Type | Bi-Color |

Operating Characteristics

| | |
|-------|------------------|
| Color | Bi-Color (Y & G) |
|-------|------------------|

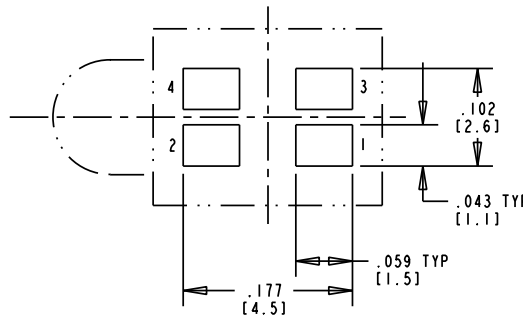


This is a
RoHS Compliant Product
[To learn more click here](#)

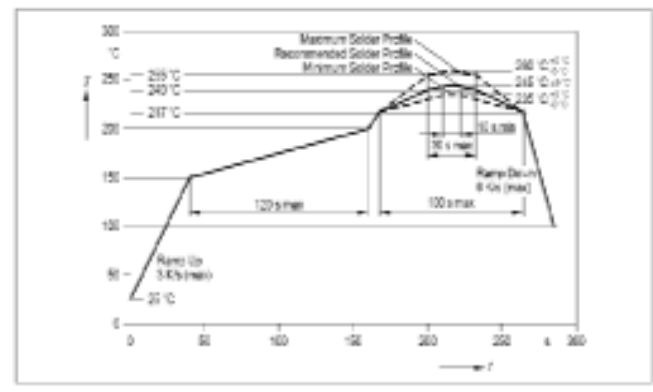
| REV. | ECN NO. | REVISIONS | DRN. | CKD. | APP. | DATE |
|------|---------|-------------|------|------|------|------|
| A | | NEW RELEASE | TWC | | | |

| BI-COLOR OPERATING CHARACTERISTICS AT T _a = 25 °C AMBIENT | | | | | | | | | | | | | | | | | | |
|--|--------------|---------------------|---------------------|------|--------------------------|------|----------------------|------|----------------------|------|--------------------------|------|-----------|------|------|------|------|---------|
| DIALIGHT P/N | COLOR | I _f (mA) | FORWARD VOLTAGE (V) | | LUMINOUS INTENSITY (mcd) | | REVERSE CURRENT (μA) | | PEAK WAVELENGTH (nm) | | DOMINANT WAVELENGTH (nm) | | REVISIONS | | | | | |
| | | | TYP. | MAX. | MIN. | TYP. | MAX. | TYP. | MAX. | TYP. | MIN. | TYP. | MAX. | REV. | ECN. | DRN. | DATE | |
| 591-3101-002F | YELLOW GREEN | 10 | 2.0 | 2.5 | 4.5 | 11.3 | 18.0 | .01 | 10 | 586 | 572 | 584 | 590 | 596 | D | | YIS | 2-19-03 |
| 591-3101-007F | YELLOW GREEN | 10 | 2.0 | 2.5 | 4.5 | 11.3 | 18.0 | .01 | 10 | 586 | 572 | 584 | 590 | 596 | E | | YIS | 2-19-03 |
| 591-3101-013F | YELLOW GREEN | 10 | 2.0 | 2.5 | 4.5 | 11.3 | 18.0 | .01 | 10 | 586 | 572 | 584 | 590 | 596 | C | | YIS | 2-19-03 |

| ABSOLUTE MAXIMUM RATING AT 25°C AMBIENT | 591-3101-XXX | | | UNITS | |
|---|--------------|-----|-----|-------------|----|
| | 002 | 007 | 013 | | |
| POWER CONSUMPTION | | | | 95 | mW |
| CONTINUOUS FORWARD CURRENT | | | | 30 | mA |
| REVERSE VOLTAGE | | | | 5 | V |
| OPERATING TEMPERATURE | | | | -40 TO +100 | °C |
| STORAGE TEMPERATURE | | | | -40 TO +100 | °C |

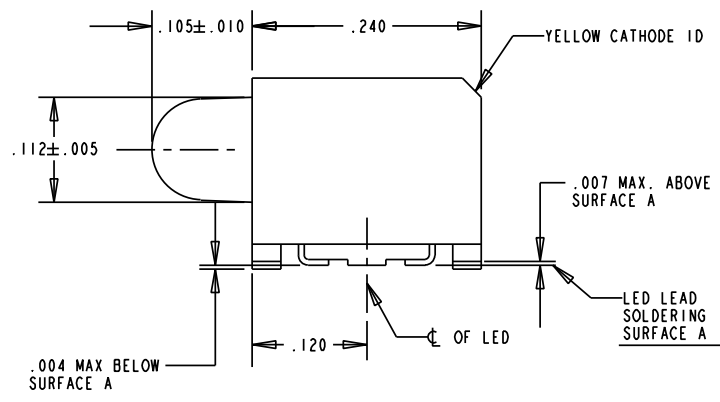
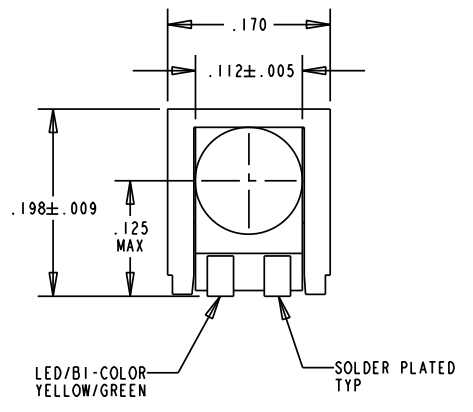


COMPONENT SIDE
RECOMMENDED PC BOARD LAND PATTERN
(DIM'S ± .004)

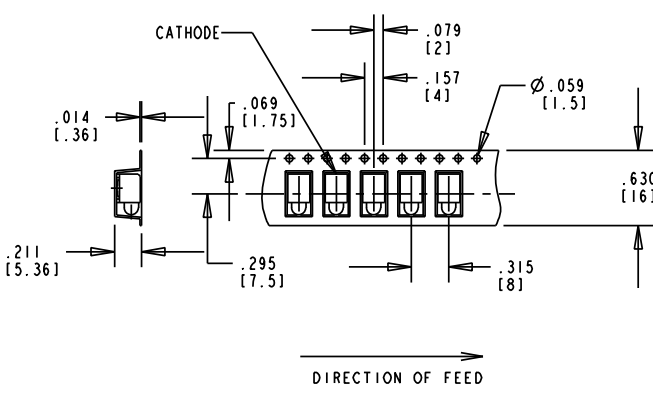


REFLOW PROFILE FOR Pb FREE PROCESS

- NOTES:
- MILLIMETER DIMENSIONS SHOWN FOR REFERENCE ONLY.
 - PAD NUMBERS FOR REFERENCE ONLY. DESIGNATION NON-EXISTENT ON PART.
 - STORAGE CONDITIONS FOR TAPED PRODUCT: RE-TAPING MAY BE NECESSARY FOR PRODUCT STORED MORE THAN TWELVE MONTHS.
 - LEADS: TIN (Sn) OVER NICKEL (Ni)
 - ORDER QUANTITY IS LED ASSEMBLIES. NOT REELS.
 - 002F SUFFIX MEANS PARTS ARE PACKED ON A 20 PCS SAMPLE STRIP.
-007F SUFFIX MEANS PARTS ARE PACKED ON 7 INCH REEL, 400 PCS/REEL.
-013F SUFFIX MEANS PARTS ARE PACKED ON A 13 INCH REEL, 1600 PCS/REEL.
 - LENS MOVEMENT IN RELATIONSHIP TO THE HOUSING IS:
.009" T.I.R. VERTICALLY.
.007" T.I.R. HORIZONTALLY.
 - FRONT AND REAR TERMINALS OF ASSEMBLY TO BE WITHIN .005 COPLANARITY.
 - DIALIGHT PART NUMBER: 591-3101-002F, 591-3101-007F, 591-3101-013F.
 - DEVICE HAS A MOISTURE SENSITIVITY LEVEL "2" CAUTION LABEL APPLIED AS PER JEDEC STD. 033.
 - THIS PRODUCT IS RoHS COMPLIANT (Pb FREE). EACH BAG AND REEL IS MARKED WITH RoHS COMPLIANT LABEL 9100-117-0852-99 OR EQUIVALENT MARKINGS.

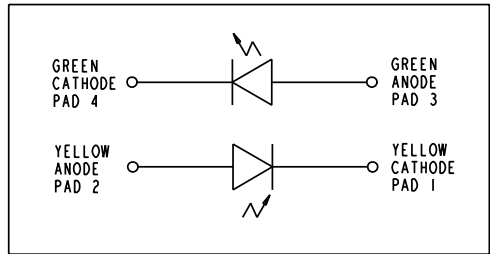
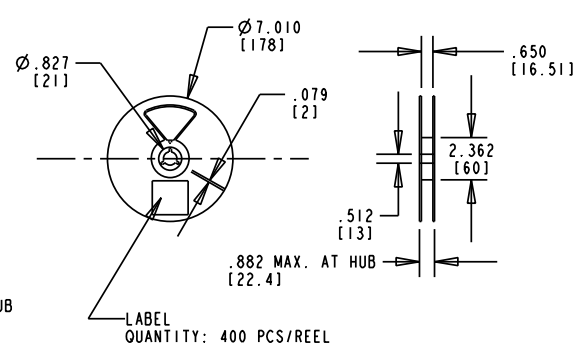
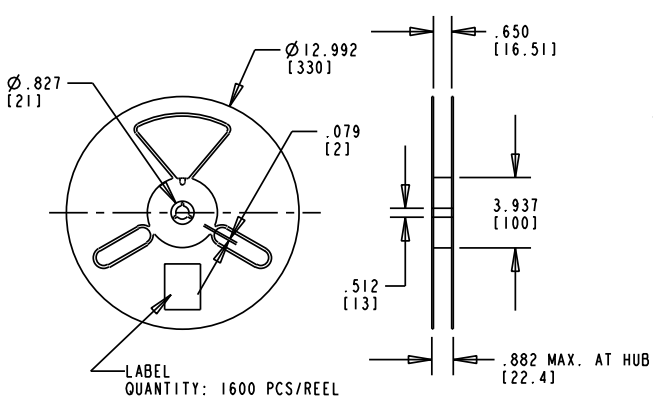


TAPING SPECIFICATION



TOLERANCE: .004 UNLESS OTHERWISE SPECIFIED.
MILLIMETER DIMENSIONS SHOWN FOR REFERENCE ONLY.

REEL SPECIFICATION



| | | |
|--|--|-----|
| SCALE: DRAWING SCALE | DRAWING NUMBER | REV |
| ALL DIM'S IN: INCHES (MM) | C-17259 | A |
| TOLERANCES: UNLESS OTHERWISE SPECIFIED | TITLE 3mm PRISM SMT RoHS COMPLIANT CBI | |
| FRACTIONS: ±1/64 | MATERIAL | |
| DECIMALS (.XX): ±.01 | FINISH: | |
| DECIMALS (.XXX): ±.005 | Dialight | |
| DECIMALS (.XXXX): ±.0005 | FSCM 83330 | |
| ANGLES: ±1° | SHEET 1 OF 1 FAMILY TABLE: | |