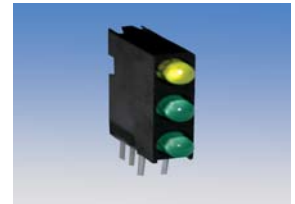


Part Number: **5640700111F**

General Description

Series	564
Configuration	3 mm Lens
Description	3 mm Red-Green/Red-Green/Red-Green Tri-Level CBI
Package Options	Bulk Packaging
Sizes	3mm
Lamp Type	Tri-Level Housing
Viewing	Right Angle
Polarity	Cathode Right
Lens Style	Untinted, Non-Diffused
Viewing Angle	60
LED Centerline	2.54mm





Absolute Maximum Ratings (Ta = 25°)

Reverse Current	100 @ Vr = 5V
Forward Current Pulsed	120mA
Solder Temperature	260 for 6 secs
Operating Temperature	-55 to +100
Storage Temperature	-55 to +100

Operating Characteristics

LED Position: 1,2,3

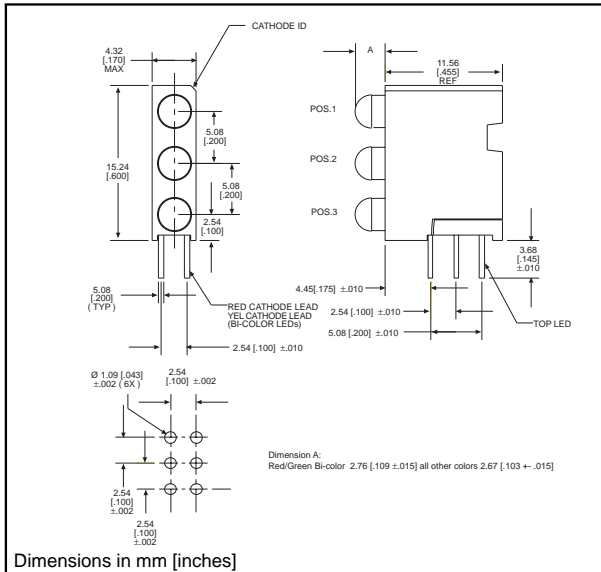
		
Color	Red	Green
Peak Wave Length	635	565
Luminous Intensity Min	2.5	3.7
Luminous Intensity Typical	4.7	10
Forward Voltage Typical	2	2.1
Forward Voltage Max	2.8	2.8
Power Dissipation Max	100mW	100mW



This is a
RoHS Compliant Product
[To learn more click here](#)

**3mm
LED CBI® Circuit Board Indicator
Tri-Level**

Dialight
564-0x00-xxx



Dimensions in mm [inches]

Features

- Multiple CBIs form horizontal LED arrays on 4.45mm (0.175") center-lines.
- High Contrast, UL 94 V-0 rated, black housing
- Oxygen index: 29%
- Polymer content: PBT, 0.078 g
- Housing stand-offs facilitate PCB cleaning
- Solderability per MIL-STD-202F, method 208F
- LEDs are safe for direct viewing per IEC 825-1, EN-60825-1

Tolerance note: As noted, otherwise:

- LED Protrusion: ±0.04 mm [±0.016]
- CBI Housing: ±0.02mm[±0.008]

PART NO.

COLOR*

HIGH EFFICIENCY - LED TYPE 01

- 564-0100-111 Red-Red-Red
- 564-0100-132 Red-Yellow-Green
- 564-0100-222 Green-Green-Green
- 564-0100-777 Orange-Orange-Orange
- 564-0100-999 Blue-Blue-Blue



LOW CURRENT - LED TYPE 02

- 564-0200-111 Red-Red-Red
- 564-0200-132 Red-Yellow-Green
- 564-0200-222 Green-Green-Green

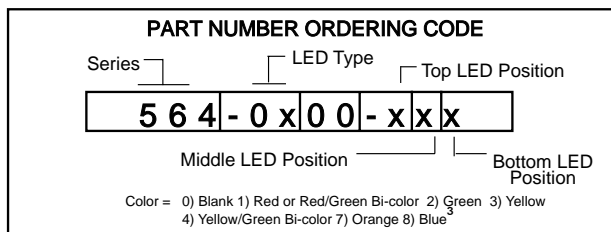
INTEGRAL RESISTOR, 5 VOLTS - LED TYPE 03

- 564-0300-111 Red-Red-Red
- 564-0300-132 Red-Yellow-Green
- 564-0300-222 Green-Green-Green

BI-COLOR - LED TYPE 07

- 564-0700-111 Red/Green-Red/Green-Red/Green
- 564-0700-444 Yellow/Green-Yellow/Green-Yellow/Green

* Top-Middle-Bottom LED



ATTENTION
OBSERVE PRECAUTIONS
FOR HANDLING
ELECTROSTATIC
SENSITIVE
DEVICES