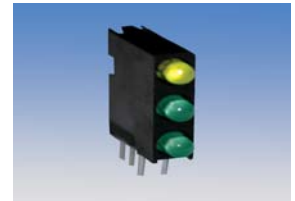


Part Number: **5640100777F**

### General Description


Series	564
Configuration	3 mm Lens
Description	3 mm Orange/Orange/Orange Tri-Level CBI Diffused
Package Options	Bulk Packaging
Sizes	3mm
Lamp Type	Tri-Level Housing
Viewing	Right Angle
Polarity	Cathode Right
Lens Style	Tinted, Diffused
Viewing Angle	60
LED Centerline	5.0mm



### Absolute Maximum Ratings (Ta = 25°)

Reverse Current	100 @ Vr = 5V
Derating	0.5 (mA/degC)
Reverse Voltage	5
Solder Temperature	260 for 5 secs
Operating Temperature	-55 to +100
Storage Temperature	-55 to +100

### Operating Characteristics

Color	 Orange
LED Type	High Efficiency
Peak Wave Length	600
LED Position	1,2,3
Luminous Intensity Min	3.4
Luminous Intensity Typical	7
Forward Voltage Typical	1.9

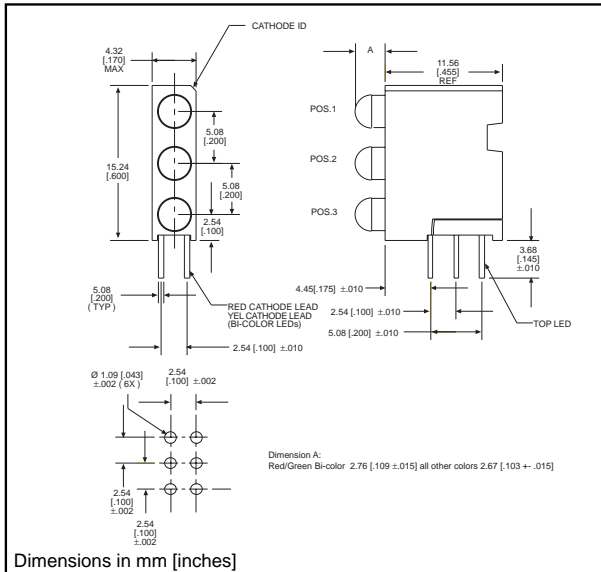


This is a  
RoHS Compliant Product  
[To learn more click here](#)

Forward Voltage Max	2.4
Test Current mA	20mA
Power Dissipation Max	135mW

**3mm  
LED CBI® Circuit Board Indicator  
Tri-Level**

**Dialight**  
**564-0x00-xxx**



**Features**

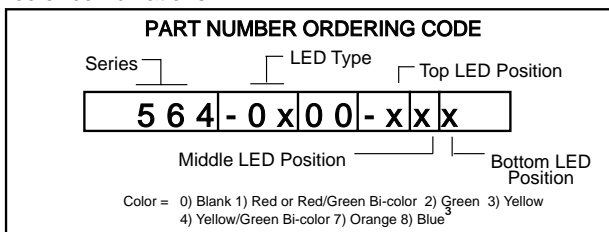
- Multiple CBIs form horizontal LED arrays on 4.45mm (0.175") center-lines.
- High Contrast, UL 94 V-0 rated, black housing
- Oxygen index: 29%
- Polymer content: PBT, 0.078 g
- Housing stand-offs facilitate PCB cleaning
- Solderability per MIL-STD-202F, method 208F
- LEDs are safe for direct viewing per IEC 825-1, EN-60825-1

**Tolerance note: As noted, otherwise:**

- LED Protrusion: ±0.04 mm [±0.016]
- CBI Housing: ±0.02mm[±0.008]

**Custom Combinations**

- Contact factory for information on custom color combinations



**PART NO.**

**COLOR\***

**HIGH EFFICIENCY - LED TYPE 01**

- 564-0100-111 Red-Red-Red
- 564-0100-132 Red-Yellow-Green
- 564-0100-222 Green-Green-Green
- 564-0100-777 Orange-Orange-Orange
- 564-0100-999 Blue-Blue-Blue



**LOW CURRENT - LED TYPE 02**

- 564-0200-111 Red-Red-Red
- 564-0200-132 Red-Yellow-Green
- 564-0200-222 Green-Green-Green

**INTEGRAL RESISTOR, 5 VOLTS - LED TYPE 03**

- 564-0300-111 Red-Red-Red
- 564-0300-132 Red-Yellow-Green
- 564-0300-222 Green-Green-Green

**BI-COLOR - LED TYPE 07**

- 564-0700-111 Red/Green-Red/Green-Red/Green
- 564-0700-444 Yellow/Green-Yellow/Green-Yellow/Green

\* Top-Middle-Bottom LED



**ATTENTION**  
OBSERVE PRECAUTIONS  
FOR HANDLING  
ELECTROSTATIC  
SENSITIVE  
DEVICES