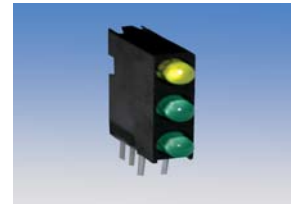


Part Number: **5640100132F**

General Description

Series	564
Configuration	3 mm Lens
Description	3 mm Red/Yellow/Green Tri-Level CBI Diffused
Package Options	Bulk Packaging
Sizes	3mm
Lamp Type	Tri-Level Housing
Viewing	Right Angle
Polarity	Cathode Right
Lens Style	Tinted, Diffused
Viewing Angle	60
LED Centerline	2.54mm


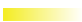



This is a
RoHS Compliant Product
[To learn more click here](#)

Absolute Maximum Ratings (Ta = 25°)

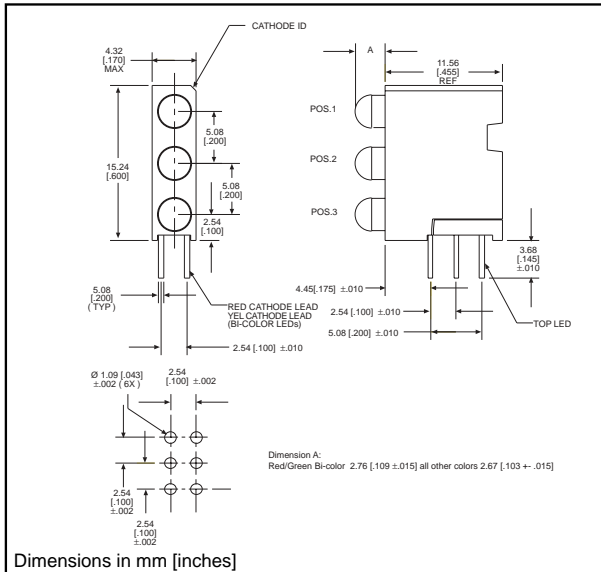
Solder Temperature	260 for 5 secs
Operating Temperature	-55 to +100
Storage Temperature	-55 to +100

Operating Characteristics

	LED Position: 1	LED Position: 2	LED Position: 3
Color	 Red	 Yellow	 Green
LED Type	Standard Efficiency	Standard Efficiency	Standard Efficiency
Peak Wave Length	635	585	565
Luminous Intensity Min	7.4	7.4	4.7
Luminous Intensity Typical	10	10	12.6
Forward Voltage Typical	2	2.1	2.1
Forward Voltage Max	2.8	2.8	2.8
Power Dissipation Max	100mW	60mW	100mW

**3mm
LED CBI® Circuit Board Indicator
Tri-Level**

Dialight
564-0x00-xxx



Features

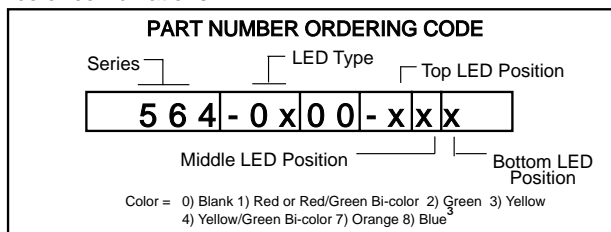
- Multiple CBIs form horizontal LED arrays on 4.45mm (0.175") center-lines.
- High Contrast, UL 94 V-0 rated, black housing
- Oxygen index: 29%
- Polymer content: PBT, 0.078 g
- Housing stand-offs facilitate PCB cleaning
- Solderability per MIL-STD-202F, method 208F
- LEDs are safe for direct viewing per IEC 825-1, EN-60825-1

Tolerance note: As noted, otherwise:

- LED Protrusion: ±0.04 mm [±0.016]
- CBI Housing: ±0.02mm[±0.008]

Custom Combinations

- Contact factory for information on custom color combinations



PART NO.

COLOR*

HIGH EFFICIENCY - LED TYPE 01

- 564-0100-111 Red-Red-Red
- 564-0100-132 Red-Yellow-Green
- 564-0100-222 Green-Green-Green
- 564-0100-777 Orange-Orange-Orange
- 564-0100-999 Blue-Blue-Blue



LOW CURRENT - LED TYPE 02

- 564-0200-111 Red-Red-Red
- 564-0200-132 Red-Yellow-Green
- 564-0200-222 Green-Green-Green

INTEGRAL RESISTOR, 5 VOLTS - LED TYPE 03

- 564-0300-111 Red-Red-Red
- 564-0300-132 Red-Yellow-Green
- 564-0300-222 Green-Green-Green

BI-COLOR - LED TYPE 07

- 564-0700-111 Red/Green-Red/Green-Red/Green
- 564-0700-444 Yellow/Green-Yellow/Green-Yellow/Green

* Top-Middle-Bottom LED



ATTENTION
OBSERVE PRECAUTIONS
FOR HANDLING
ELECTROSTATIC
SENSITIVE
DEVICES