

# Dialight

556 Series 

## High Intensity LED Panel Mount Indicators for 1" Mounting Hole

### Watertight - NEMA4X IP66



## FEATURES / BENEFITS

- ▲ Daylight viewable
- ▲ Safety standards - UL and NEMA
- ▲ Tamperproof / Designed for high durability
- ▲ Long life, lasting up to 100k hours
- ▲ Uniform illumination - multi-LED construction
- ▲ Lens options:
  - Low profile flat
  - Wide angle domed

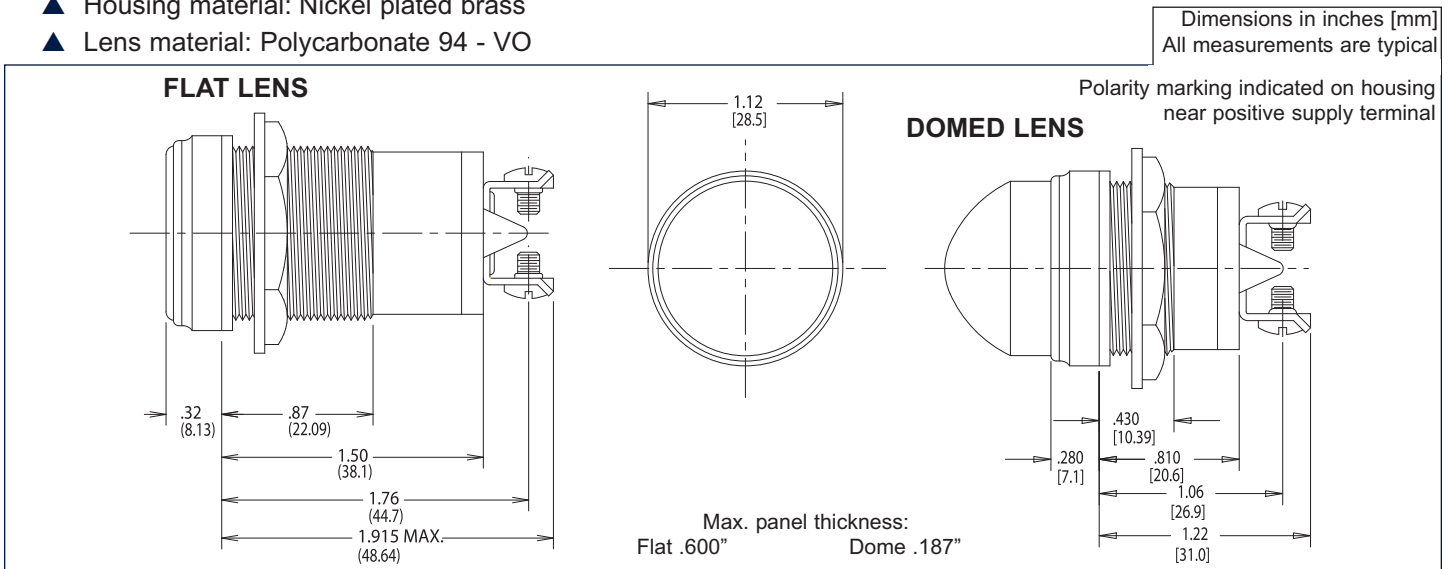
## APPLICATIONS

The 556 Series LED Panel Mount Indicators incorporate both InGaN and AlInGaP technologies to offer higher intensities. This is a highly durable package, designed to withstand outdoor applications susceptible to rain, dust and sunlight.

- Instrument panels
  - Safety applications
  - Vending, gaming
  - Lane control
  - Display lighting
  - Transportation - rail, bus, airline
- ... and many more!

## SPECIFICATIONS

- ▲ Available in red, yellow, green, blue, white, orange and cyan
- ▲ Voltage range of 12 to 125 VDC, 125 and 230 VAC
- ▲ Watertight seal from front of panel meets NEMA 4X IP66
  - Maximum Mounting Torque - 40 in./lb.
- ▲ Housing material: Nickel plated brass
- ▲ Lens material: Polycarbonate 94 - VO
- ▲ UL recognized - File #E156890
- ▲ Front mounting in 1" clearance hole
- ▲ Operating temperature: -30°C to +85°C
- ▲ Storage temperature: -40°C to +100°C

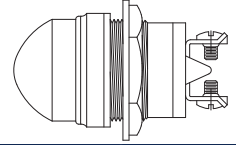
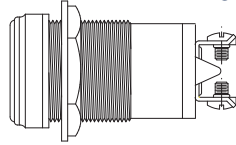


Please see back of page for part numbers and additional specifications.

Dialight reserves the right to make changes at any time in order to supply the best product possible.

Dialight Corporation

## 556 Series High Intensity LED Panel Mount Indicators for 1" Mounting Hole Watertight - NEMA4X IP66



### FLAT LENS - 12 AND 24 VDC

PART NUMBER	COLOR	VOLTAGE (VDC)	CURRENT (mA)	TYPICAL INTENSITY (fL)
556-1003-304F	White	12	60	4000
556-1503-304F	Red	12	95	3000
556-1603-304F	Green	12	60	4000
556-1683-304F	Cyan	12	60	4000
556-1703-304F	Yellow	12	95	3000
556-1803-304F	Blue	12	60	1200
556-1903-304F	Orange	12	95	3000
556-1004-304F	White	24	32	4000
556-1504-304F	Red	24	46	3000
556-1604-304F	Green	24	32	4000
556-1684-304F	Cyan	24	32	4000
556-1704-304F	Yellow	24	46	3000
556-1804-304F	Blue	24	32	1200
556-1904-304F	Orange	24	46	1200

### DOME LENS - 12 AND 24 VDC

PART NUMBER	COLOR	VOLTAGE (VDC)	CURRENT (mA)	TYPICAL INTENSITY (fL)
556-3003-304F	White	12	60	1200
556-3503-304F	Red	12	95	1300
556-3603-304F	Green	12	60	1800
556-3683-304F	Cyan	12	60	1800
556-3703-304F	Yellow	12	95	1300
556-3803-304F	Blue	12	60	480
556-3903-304F	Orange	12	95	480
556-3004-304F	White	24	32	1200
556-3504-304F	Red	24	46	1300
556-3604-304F	Green	24	32	1800
556-3684-304F	Cyan	24	32	1800
556-3704-304F	Yellow	24	46	1300
556-3804-304F	Blue	24	32	480
556-3904-304F	Orange	24	46	480

### FLAT LENS - 125 AND 230 VAC

PART NUMBER	COLOR	VOLTAGE (VAC)	CURRENT (mA)	TYPICAL INTENSITY (fL)
556-1005-304F	White	125	9	1800
556-1505-304F	Red	125	10.5	1200
556-1605-304F	Green	125	9.5	1800
556-1685-304F	Cyan	125	9.5	1800
556-1705-304F	Yellow	125	10.5	1200
556-1805-304F	Blue	125	9.5	500
556-1905-304F	Orange	125	10.5	500
556-1009-304F	White	230	7	1800
556-1509-304F	Red	230	7	1200
556-1609-304F	Green	230	7	1800
556-1709-304F	Yellow	230	7	1200
556-1809-304F	Blue	230	7	500
556-1909-304F	Orange	230	7	1800

### DOME LENS - 125 AND 230 VAC

PART NUMBER	COLOR	VOLTAGE (VAC)	CURRENT (mA)	TYPICAL INTENSITY (fL)
556-3005-304F	White	125	9	700
556-3505-304F	Red	125	10.5	500
556-3605-304F	Green	125	9.5	700
556-3685-304F	Cyan	125	9.5	700
556-3705-304F	Yellow	125	10.5	500
556-3805-304F	Blue	125	9.5	180
556-3905-304F	Orange	125	10.5	180
556-3009-304F	White	230	7	700
556-3509-304F	Red	230	7	500
556-3609-304F	Green	230	7	700
556-3709-304F	Yellow	230	7	500
556-3809-304F	Blue	230	7	180
556-3909-304F	Orange	230	7	180

Other voltages are available.  
Please contact our factory for more information.

Dialight reserves the right to make changes at any time  
in order to supply the best product possible.

Dialight Corporation