

Home > 5561704304F

Part Number: **5561704304F**

General Description

| | |
|-----------------------|---|
| Color | Yellow |
| Series | 556 |
| Description | ONE INCH FLAT YEL LED PMI 24V |
| Housing | Nickel Plated Brass |
| Keywords | Watertight |
| LED Type | Super Bright |
| Mounting Method | Nut and Washer |
| Compliance | Watertight-Front of Panel, NEMA 4X IP66 |
| Termination | 6-32 Screw |
| Mounting Hole Size | (1") |
| Panel Thickness | .600" |
| Lens Style | Flat Round |
| Lens Material | polycarbonate |
| Forward Current mA | 46 mA |
| Voltage | 24 VDC |
| Operating Temperature | -30 +85 |
| Storage Temperature | -40 +100 |

Dialight

556 Series  High Intensity LED Panel Mount Indicators for 1" Mounting Hole Watertight - NEMA4X IP66



FEATURES / BENEFITS

- ▲ Daylight viewable
- ▲ Safety standards - UL and NEMA
- ▲ Tamperproof / Designed for high durability
- ▲ Long life, lasting up to 100k hours
- ▲ Uniform illumination - multi-LED construction
- ▲ Lens options:
 - Low profile flat
 - Wide angle domed

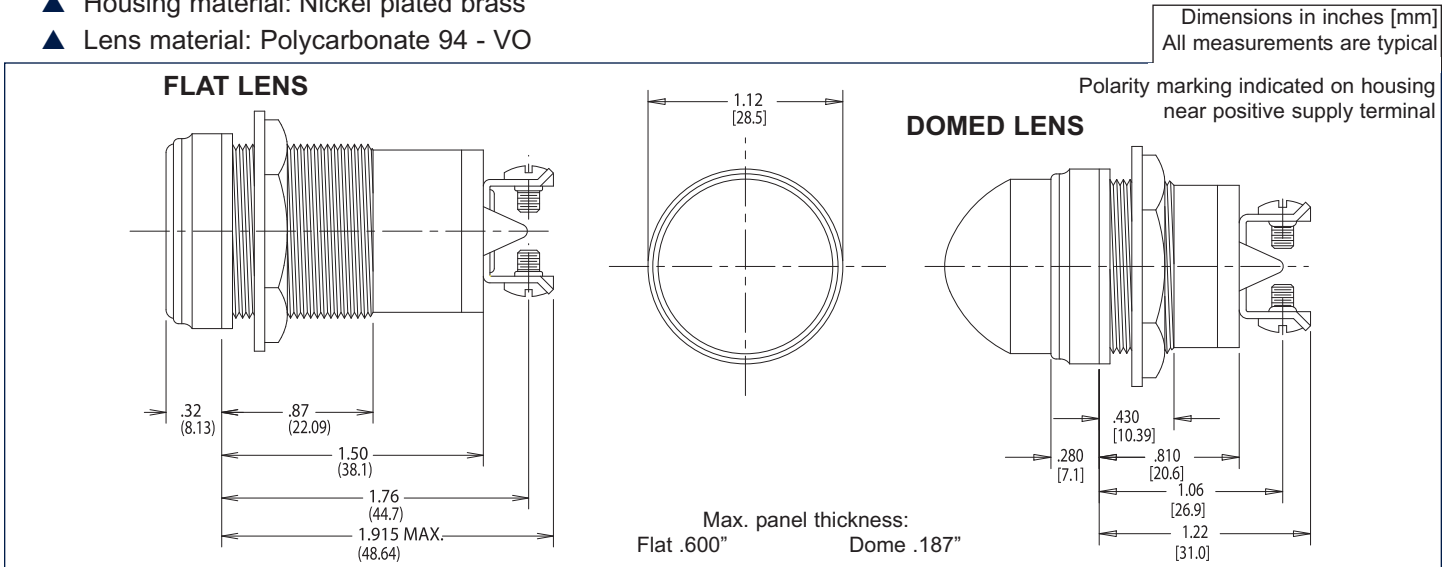
APPLICATIONS

The 556 Series LED Panel Mount Indicators incorporate both InGaN and AlInGaP technologies to offer higher intensities. This is a highly durable package, designed to withstand outdoor applications susceptible to rain, dust and sunlight.

- Instrument panels
- Safety applications
- Vending, gaming
- Lane control
- Display lighting
- Transportation - rail, bus, airline
- ... and many more!

SPECIFICATIONS

- ▲ Available in red, yellow, green, blue, white, orange and cyan
- ▲ Voltage range of 12 to 125 VDC, 125 and 230 VAC
- ▲ Watertight seal from front of panel meets NEMA 4X IP66
 - Maximum Mounting Torque - 40 in./lb.
- ▲ Housing material: Nickel plated brass
- ▲ Lens material: Polycarbonate 94 - VO
- ▲ UL recognized - File #E156890
- ▲ Front mounting in 1" clearance hole
- ▲ Operating temperature: -30°C to +85°C
- ▲ Storage temperature: -40°C to +100°C

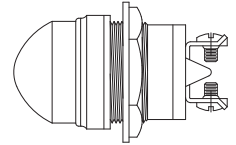
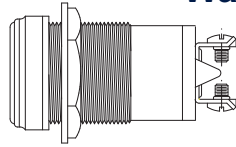


Please see back of page for part numbers and additional specifications.
Dialight reserves the right to make changes at any time in order to supply the best product possible.

Dialight Corporation



556 Series High Intensity LED Panel Mount Indicators for 1" Mounting Hole Watertight - NEMA4X IP66



FLAT LENS - 12 AND 24 VDC

| PART NUMBER | COLOR | VOLTAGE (VDC) | CURRENT (mA) | TYPICAL INTENSITY (fL) |
|---------------|--------|---------------|--------------|------------------------|
| 556-1003-304F | White | 12 | 60 | 4000 |
| 556-1503-304F | Red | 12 | 95 | 3000 |
| 556-1603-304F | Green | 12 | 60 | 4000 |
| 556-1683-304F | Cyan | 12 | 60 | 4000 |
| 556-1703-304F | Yellow | 12 | 95 | 3000 |
| 556-1803-304F | Blue | 12 | 60 | 1200 |
| 556-1903-304F | Orange | 12 | 95 | 3000 |
| 556-1004-304F | White | 24 | 32 | 4000 |
| 556-1504-304F | Red | 24 | 46 | 3000 |
| 556-1604-304F | Green | 24 | 32 | 4000 |
| 556-1684-304F | Cyan | 24 | 32 | 4000 |
| 556-1704-304F | Yellow | 24 | 46 | 3000 |
| 556-1804-304F | Blue | 24 | 32 | 1200 |
| 556-1904-304F | Orange | 24 | 46 | 1200 |

DOME LENS - 12 AND 24 VDC

| PART NUMBER | COLOR | VOLTAGE (VDC) | CURRENT (mA) | TYPICAL INTENSITY (fL) |
|---------------|--------|---------------|--------------|------------------------|
| 556-3003-304F | White | 12 | 60 | 1200 |
| 556-3503-304F | Red | 12 | 95 | 1300 |
| 556-3603-304F | Green | 12 | 60 | 1800 |
| 556-3683-304F | Cyan | 12 | 60 | 1800 |
| 556-3703-304F | Yellow | 12 | 95 | 1300 |
| 556-3803-304F | Blue | 12 | 60 | 480 |
| 556-3903-304F | Orange | 12 | 95 | 480 |
| 556-3004-304F | White | 24 | 32 | 1200 |
| 556-3504-304F | Red | 24 | 46 | 1300 |
| 556-3604-304F | Green | 24 | 32 | 1800 |
| 556-3684-304F | Cyan | 24 | 32 | 1800 |
| 556-3704-304F | Yellow | 24 | 46 | 1300 |
| 556-3804-304F | Blue | 24 | 32 | 480 |
| 556-3904-304F | Orange | 24 | 46 | 480 |

FLAT LENS - 125 AND 230 VAC

| PART NUMBER | COLOR | VOLTAGE (VAC) | CURRENT (mA) | TYPICAL INTENSITY (fL) |
|---------------|--------|---------------|--------------|------------------------|
| 556-1005-304F | White | 125 | 9 | 1800 |
| 556-1505-304F | Red | 125 | 10.5 | 1200 |
| 556-1605-304F | Green | 125 | 9.5 | 1800 |
| 556-1685-304F | Cyan | 125 | 9.5 | 1800 |
| 556-1705-304F | Yellow | 125 | 10.5 | 1200 |
| 556-1805-304F | Blue | 125 | 9.5 | 500 |
| 556-1905-304F | Orange | 125 | 10.5 | 500 |
| 556-1009-304F | White | 230 | 7 | 1800 |
| 556-1509-304F | Red | 230 | 7 | 1200 |
| 556-1609-304F | Green | 230 | 7 | 1800 |
| 556-1709-304F | Yellow | 230 | 7 | 1200 |
| 556-1809-304F | Blue | 230 | 7 | 500 |
| 556-1909-304F | Orange | 230 | 7 | 1800 |

DOME LENS - 125 AND 230 VAC

| PART NUMBER | COLOR | VOLTAGE (VAC) | CURRENT (mA) | TYPICAL INTENSITY (fL) |
|---------------|--------|---------------|--------------|------------------------|
| 556-3005-304F | White | 125 | 9 | 700 |
| 556-3505-304F | Red | 125 | 10.5 | 500 |
| 556-3605-304F | Green | 125 | 9.5 | 700 |
| 556-3685-304F | Cyan | 125 | 9.5 | 700 |
| 556-3705-304F | Yellow | 125 | 10.5 | 500 |
| 556-3805-304F | Blue | 125 | 9.5 | 180 |
| 556-3905-304F | Orange | 125 | 10.5 | 180 |
| 556-3009-304F | White | 230 | 7 | 700 |
| 556-3509-304F | Red | 230 | 7 | 500 |
| 556-3609-304F | Green | 230 | 7 | 700 |
| 556-3709-304F | Yellow | 230 | 7 | 500 |
| 556-3809-304F | Blue | 230 | 7 | 180 |
| 556-3909-304F | Orange | 230 | 7 | 180 |

Other voltages are available.
Please contact our factory for more information.

Dialight reserves the right to make changes at any time
in order to supply the best product possible.

Dialight Corporation