

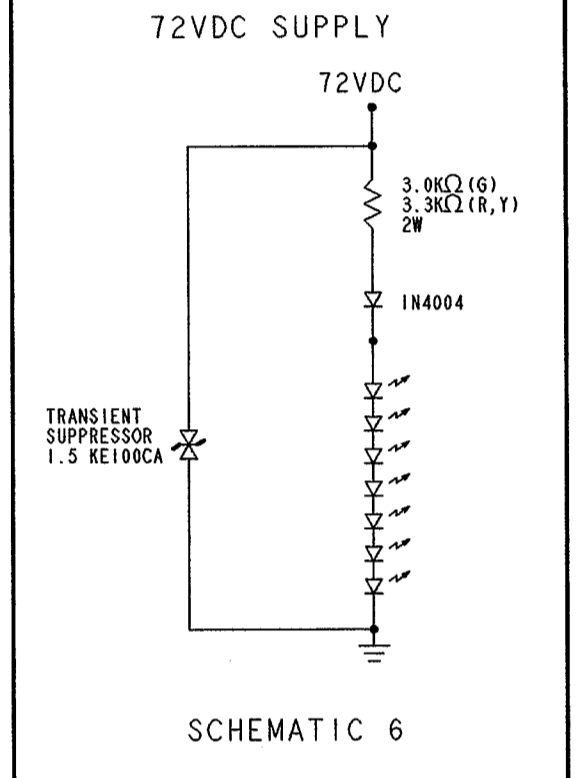
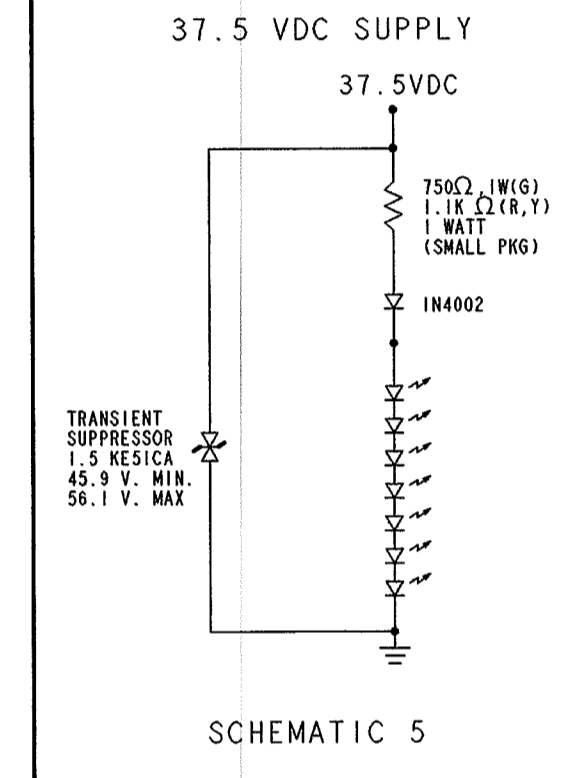
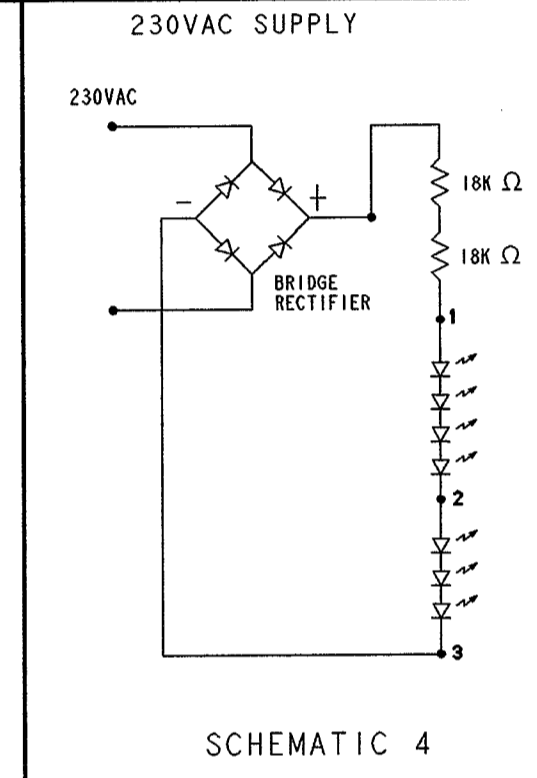
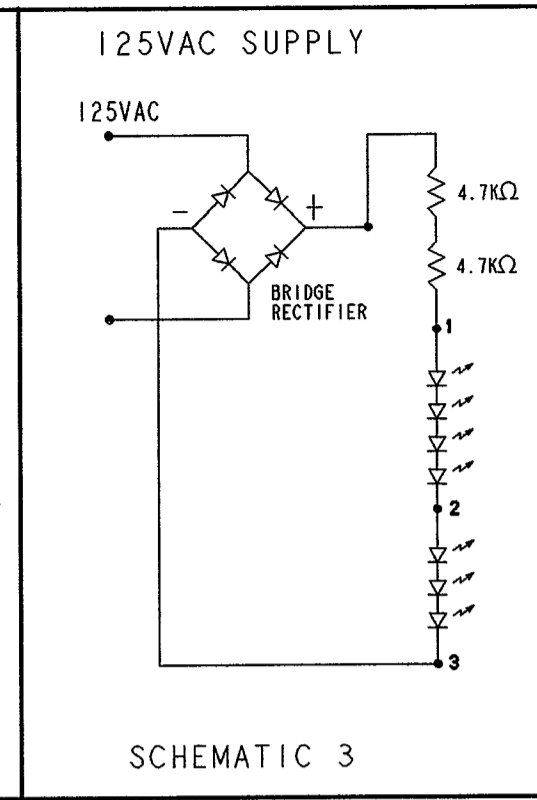
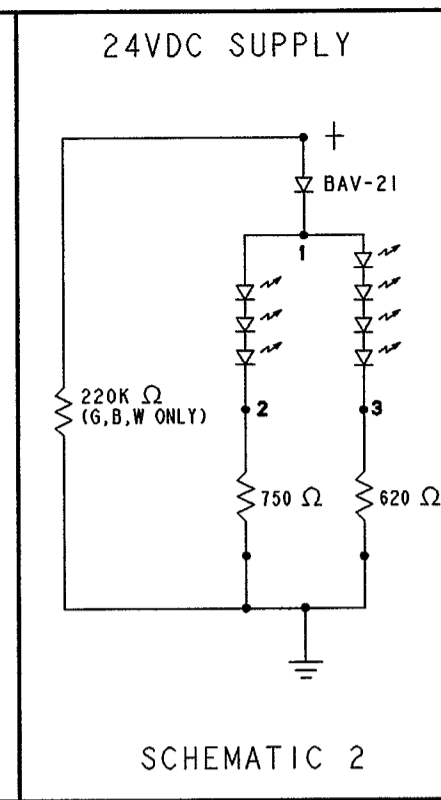
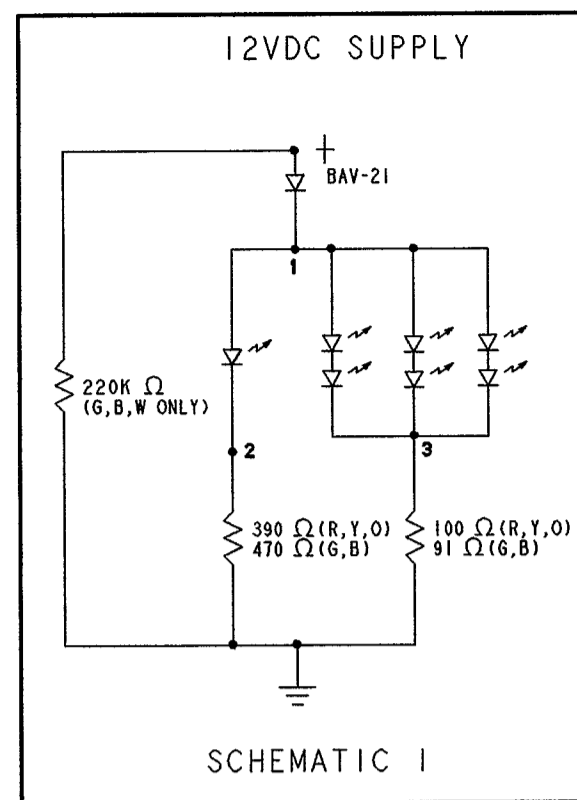
◆ Home > 5561605304

Part Number: **5561605304**

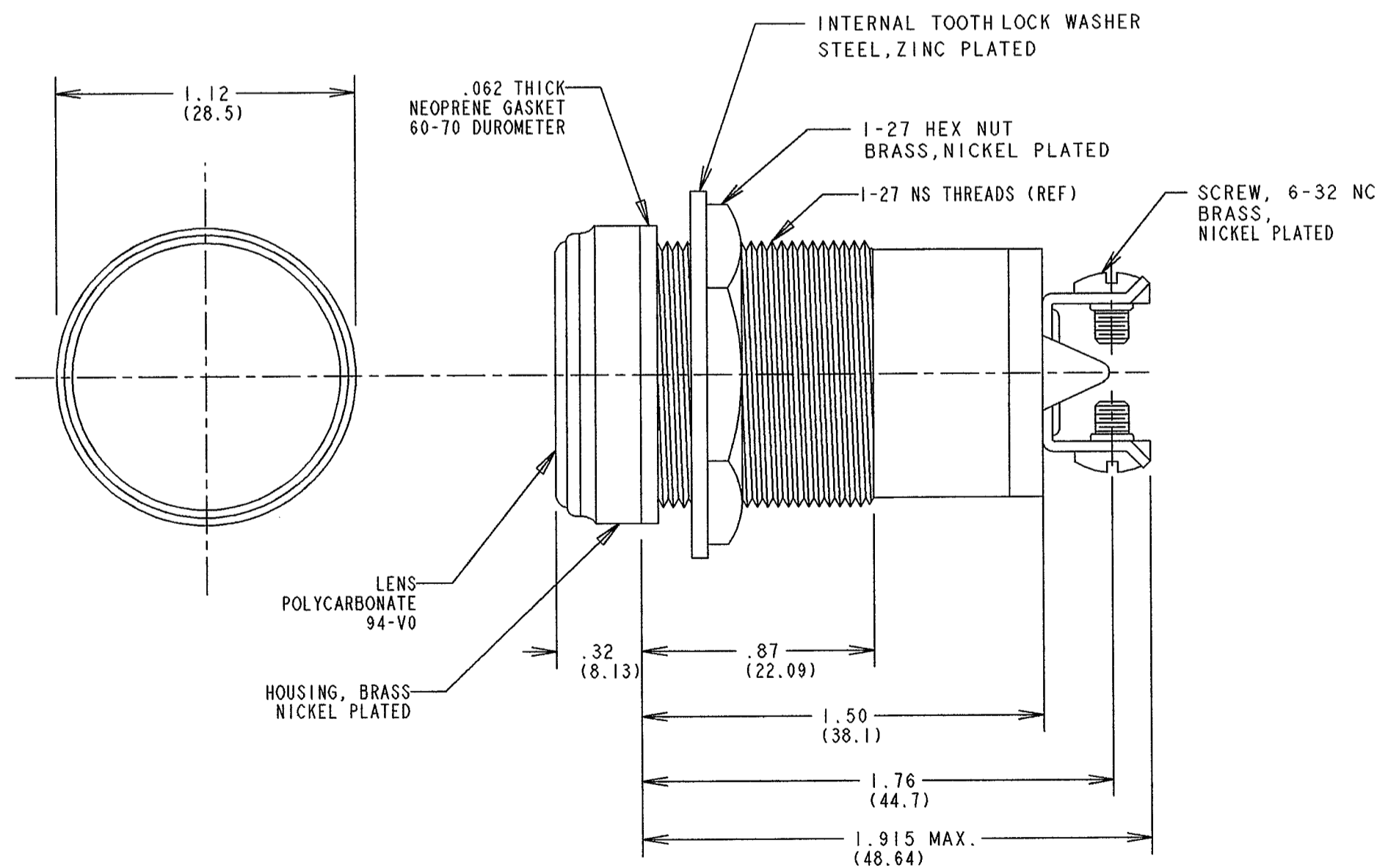
### General Description

Color	 Green
Series	556
Configuration	556 Series (1" Mount)
Description	Green Watertight LED Indicator, 1" Mounting Hole
Housing	Nickel Plated Brass
LED Type	Super Bright
Mounting Method	Nut and Washer
Termination	6-32 Screw
Terminal Other	Watertight
Lens Style	Flat Lens
Lens Material	polycarbonate
Voltage	125 VAC

PART NUMBER	LED COLOR	NOMINAL RATING	INTENSITY (fL) @ TYP VOLTAGE	CURRENT (mA)	SCHEMATIC DIAGRAM
556-1503-304	RED	12VDC	3000	95	1
556-1603-304	GREEN	12VDC	4000	60	1
556-1683-304	BLuish GREEN	12VDC	4000	60	1
556-1703-304	YELLOW	12VDC	3000	95	1
556-1803-304	BLUE	12VDC	1200	60	1
556-1903-304	ORANGE	12VDC	1200	95	1
556-1003-304	WHITE	12VDC	4000	60	1
556-1504-304	RED	24VDC	3000	46	2
556-1604-304	GREEN	24VDC	4000	32	2
556-1684-304	BLuish GREEN	24VDC	4000	32	2
556-1704-304	YELLOW	24VDC	3000	46	2
556-1804-304	BLUE	24VDC	1200	32	2
556-1904-304	ORANGE	24VDC	1200	46	2
556-1004-304	WHITE	24VDC	4000	32	2
556-1505-304	RED	125VAC	1200	10.5	3
556-1605-304	GREEN	125VAC	1800	9.5	3
556-1685-304	BLuish GREEN	125VAC	4000	9.5	3
556-1705-304	YELLOW	125VAC	1200	10.5	3
556-1805-304	BLUE	125VAC	500	9.5	3
556-1905-304	ORANGE	125VAC	500	10.5	3
556-1005-304	WHITE	125VAC	1800	9.5	3
556-1507-304	RED	125VDC	700	10	6
556-1607-304	GREEN	125VDC	1000	10	6
556-1707-304	YELLOW	125VDC	700	10	6
556-1508-304	RED	37.5 VDC	2600	20	5
556-1608-304	GREEN	37.5 VDC	4000	16	5
556-1708-304	YELLOW	37.5 VDC	2600	20	5
556-1506-304	RED	72VDC	1800	18.5	6
556-1606-304	GREEN	72VDC	1800	16	6
556-1706-304	YELLOW	72VDC	1000	20	6
556-1806-304	BLUE	72VDC	700	18.5	6
556-1509-304	RED	230VAC	1200	7	4
556-1609-304	GREEN	230VAC	1800	7	4
556-1709-304	YELLOW	230VAC	1200	7	4
556-1809-304	BLUE	230VAC	500	7	4
556-1909-304	ORANGE	230VAC	500	7	4
556-1009-304	WHITE	230VAC	1800	7	4

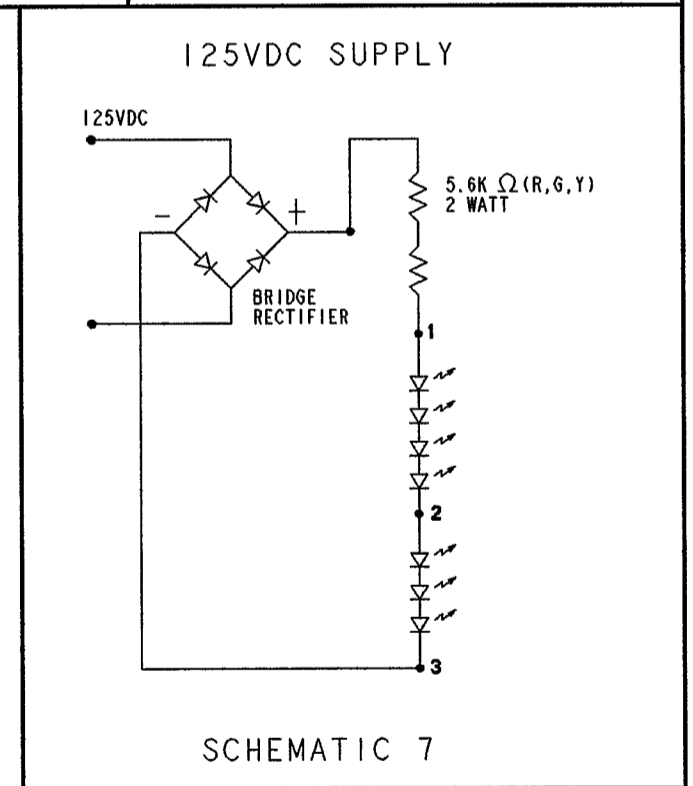


REV.	ECN NO.	REVISIONS	DRN.	CKD.	APP.	DATE
A	---	NEW RELEASE	DC	YC	N.O.	7-29-99
B	---	ADDED P/N 556-1509-304, 556-1609-304, 556-1709-304 AND SCHEMATIC 4.	DC	HK	N.O.	8-11-00
C	---	ADDED P/N 556-1508-304, 556-1608-304, 556-1708-304, 556-1809-304, 556-1909-304, 556-1003-304, 556-1004-304, 556-1005-304, 556-1009-304 AND SCHEMATIC 5.	DC	Y.C.	N.O.	8-7-02
D	---	ADDED P/N 556-1683-304, 556-1684-304, 556-1685-304, AND REVISED SCHEMATIC 3.	JMC	G.Z.	Y.C.	6/27/03
E	---	NOTE 2 WAS MAXIMUM MOUNTING TORQUE: 20 IN-LB	JMC	JAV	Y.C.	9/18/03
F	---	ADDED P/N 556-1506-304, AND 556-1806-304; ADDED SCHEM. 6	JMC	TC	MA	7-15-04
G	---	ADDED P/N 556-1606-304, -1706-304, -1507-304, -1607-304 & -1707-304; ADDED SCHEM. 7; UPDATED SCHEM. 6 TO CORRECT RESISTOR VALUES	TWC	JK	JK	



NOTES:

1. PRODUCT IS WATER SEALED FROM FRONT OF PANEL.
2. MOUNTING TORQUE: 40 IN-LB FOR WATERTIGHT SEAL
3. INTERNAL DIFFUSER IS INCLUDED IN ASSEMBLY.
4. POLARITY MARKING IS INDICATED ON HOUSING NEAR POSITIVE SUPPLY TERMINAL.
5. FRONT MOUNTING IN 1 INCH CLEARANCE HOLE.



THIS DRAWING AND THE CONTENTS HEREIN ARE CONFIDENTIAL AND THE SOLE PROPERTY OF DIALIGHT. REPRODUCTION OF THIS DRAWING OR CONSTRUCTION OF ANY PARTS WITHIN THIS DRAWING ARE FORBIDDEN WITHOUT THE WRITTEN CONSENT OF DIALIGHT.		
SCALE: 2:1	DRAWING NUMBER	REV
ALL DIM'S IN: INCHES (MM)	C-16571	G
TOOLERANCES: UNLESS OTHERWISE SPECIFIED	TITLE	
FRACTIONS: ±1/64	LED PMI FOR 1" MOUNTING HOLE	
DECIMALS (.XX): ±.02	MATERIAL	
DECIMALS (.XXX): ±.015	Dialight	
DECIMALS (.XXXX): ±.0005	1501 ROUTE 34 SOUTH FARMINGDALE, NJ 07727	
ANGLES: ±3°	FSCM 83330	
FINISH:	SHEET 1 OF 1 FAMILY TABLES:	

# Dialight

556 Series 

## High Intensity LED Panel Mount Indicators for 1" Mounting Hole

### Watertight - NEMA4X IP66



## FEATURES / BENEFITS

- ▲ Daylight viewable
- ▲ Safety standards - UL and NEMA
- ▲ Tamperproof / Designed for high durability
- ▲ Long life, lasting up to 100k hours
- ▲ Uniform illumination - multi-LED construction
- ▲ Lens options:
  - Low profile flat
  - Wide angle domed

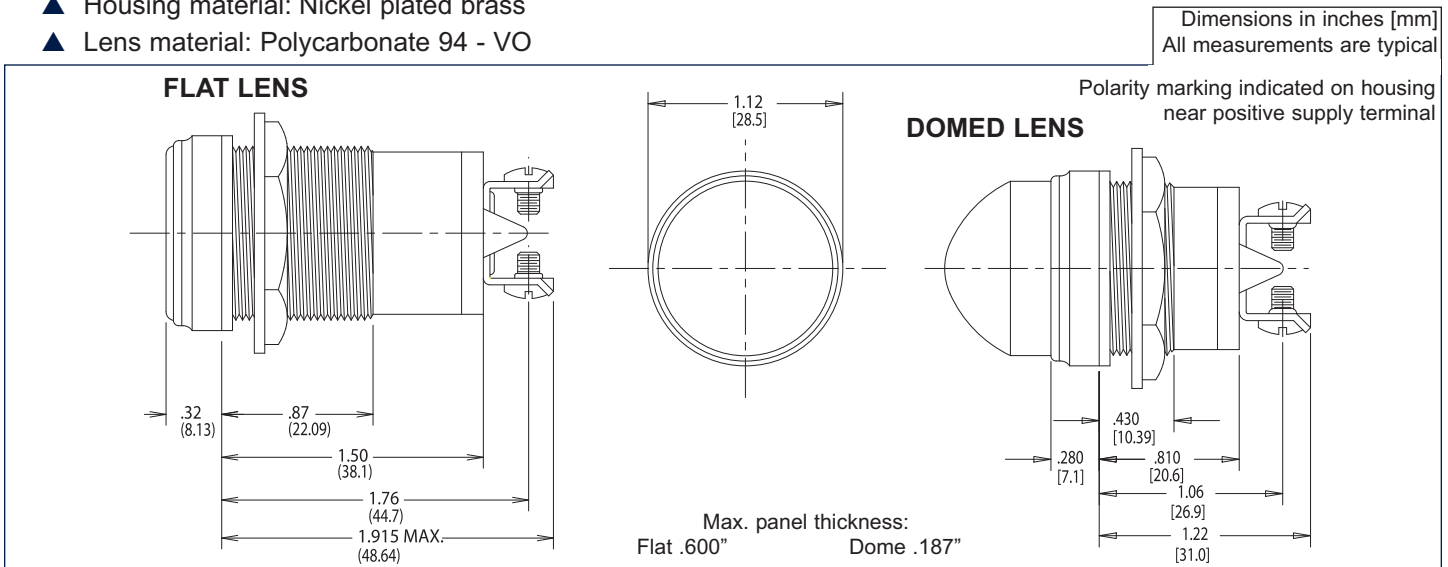
## APPLICATIONS

The 556 Series LED Panel Mount Indicators incorporate both InGaN and AlInGaP technologies to offer higher intensities. This is a highly durable package, designed to withstand outdoor applications susceptible to rain, dust and sunlight.

- Instrument panels
  - Safety applications
  - Vending, gaming
  - Lane control
  - Display lighting
  - Transportation - rail, bus, airline
- ... and many more!

## SPECIFICATIONS

- ▲ Available in red, yellow, green, blue, white, orange and cyan
- ▲ Voltage range of 12 to 125 VDC, 125 and 230 VAC
- ▲ Watertight seal from front of panel meets NEMA 4X IP66
  - Maximum Mounting Torque - 40 in./lb.
- ▲ Housing material: Nickel plated brass
- ▲ Lens material: Polycarbonate 94 - VO
- ▲ UL recognized - File #E156890
- ▲ Front mounting in 1" clearance hole
- ▲ Operating temperature: -30°C to +85°C
- ▲ Storage temperature: -40°C to +100°C



Please see back of page for part numbers and additional specifications.

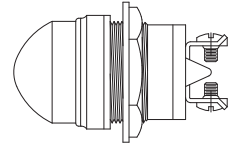
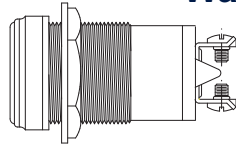
Dialight reserves the right to make changes at any time in order to supply the best product possible.

## 556 Series

### High Intensity LED Panel Mount Indicators

### for 1" Mounting Hole

### Watertight - NEMA4X IP66



#### FLAT LENS - 12 AND 24 VDC

#### DOME LENS - 12 AND 24 VDC

PART NUMBER	COLOR	VOLTAGE (VDC)	CURRENT (mA)	TYPICAL INTENSITY (fL)
556-1003-304F	White	12	60	4000
556-1503-304F	Red	12	95	3000
556-1603-304F	Green	12	60	4000
556-1683-304F	Cyan	12	60	4000
556-1703-304F	Yellow	12	95	3000
556-1803-304F	Blue	12	60	1200
556-1903-304F	Orange	12	95	3000
556-1004-304F	White	24	32	4000
556-1504-304F	Red	24	46	3000
556-1604-304F	Green	24	32	4000
556-1684-304F	Cyan	24	32	4000
556-1704-304F	Yellow	24	46	3000
556-1804-304F	Blue	24	32	1200
556-1904-304F	Orange	24	46	1200

PART NUMBER	COLOR	VOLTAGE (VDC)	CURRENT (mA)	TYPICAL INTENSITY (fL)
556-3003-304F	White	12	60	1200
556-3503-304F	Red	12	95	1300
556-3603-304F	Green	12	60	1800
556-3683-304F	Cyan	12	60	1800
556-3703-304F	Yellow	12	95	1300
556-3803-304F	Blue	12	60	480
556-3903-304F	Orange	12	95	480
556-3004-304F	White	24	32	1200
556-3504-304F	Red	24	46	1300
556-3604-304F	Green	24	32	1800
556-3684-304F	Cyan	24	32	1800
556-3704-304F	Yellow	24	46	1300
556-3804-304F	Blue	24	32	480
556-3904-304F	Orange	24	46	480

#### FLAT LENS - 125 AND 230 VAC

#### DOME LENS - 125 AND 230 VAC

PART NUMBER	COLOR	VOLTAGE (VAC)	CURRENT (mA)	TYPICAL INTENSITY (fL)
556-1005-304F	White	125	9	1800
556-1505-304F	Red	125	10.5	1200
556-1605-304F	Green	125	9.5	1800
556-1685-304F	Cyan	125	9.5	1800
556-1705-304F	Yellow	125	10.5	1200
556-1805-304F	Blue	125	9.5	500
556-1905-304F	Orange	125	10.5	500
556-1009-304F	White	230	7	1800
556-1509-304F	Red	230	7	1200
556-1609-304F	Green	230	7	1800
556-1709-304F	Yellow	230	7	1200
556-1809-304F	Blue	230	7	500
556-1909-304F	Orange	230	7	1800

PART NUMBER	COLOR	VOLTAGE (VAC)	CURRENT (mA)	TYPICAL INTENSITY (fL)
556-3005-304F	White	125	9	700
556-3505-304F	Red	125	10.5	500
556-3605-304F	Green	125	9.5	700
556-3685-304F	Cyan	125	9.5	700
556-3705-304F	Yellow	125	10.5	500
556-3805-304F	Blue	125	9.5	180
556-3905-304F	Orange	125	10.5	180
556-3009-304F	White	230	7	700
556-3509-304F	Red	230	7	500
556-3609-304F	Green	230	7	700
556-3709-304F	Yellow	230	7	500
556-3809-304F	Blue	230	7	180
556-3909-304F	Orange	230	7	180

Other voltages are available.  
Please contact our factory for more information.

Dialight reserves the right to make changes at any time  
in order to supply the best product possible.