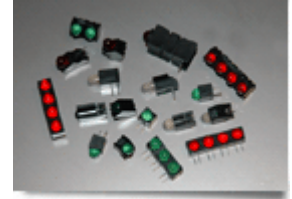


Part Number: **5502404F**

### General Description

Series	550
Configuration	5 mm Lens
Description	5 mm Red Diffused CBI
Package Options	Bulk Packaging
Sizes	5mm
Lamp Type	Single Color
Viewing	Top View
Polarity	Cathode Right
Lens Style	Diffused




### Absolute Maximum Ratings (Ta = 25°)

Reverse Current	10 @ Vr = 3V
Derating	from 40° @ .66 mW/°C
Solder Temperature	260° for 5 sec
Operating Temperature	-25 to +85
Storage Temperature	-30 to +100



This is a  
RoHS Compliant Product  
[To learn more click here](#)

### Operating Characteristics

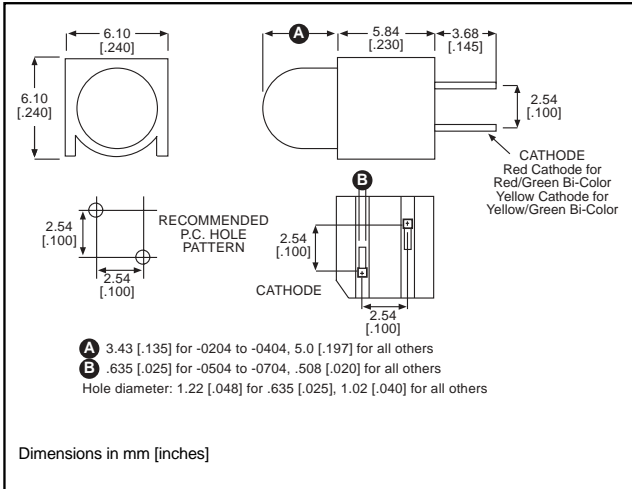
Color	 Red
LED Type	High Efficiency
Luminous Intensity Min	2.2
Luminous Intensity Typical	6.3
Test Current mA	10mA
Emitted Color	Red
Power Dissipation Max	60mW

5mm

LED CBI® Circuit Board Indicator  
Top View, Single

**Dialight**

550-xx04



Standard Polarity shown in drawing: Cathode same side as notch

**Features**

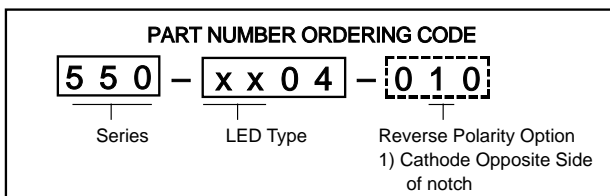
- Multiple CBIs form horizontal LED arrays on 6.35mm (0.250") center-lines.
- High Contrast, UL 94 V-0 rated, black housing
- Oxygen index: 32%
- Polymer content: PBT, 0.160 g
- Housing stand-offs facilitate PCB cleaning
- Solderability per MIL-STD-202F, method 208F
- LEDs are safe for direct viewing per IEC 825-1, EN-60825-1
- Compatible with:  
550-xx04-004 quad block

**Custom**

- For custom LEDs contact factory.

**Tolerance note: As noted, otherwise:**

- LED Protrusion: ±0.04 mm [±0.016]
- CBI Housing: ±0.02mm[±0.008]



-010 Ordering Code Suffix required ONLY for Reverse Polarity Option

**PART NO.**

**COLOR**

**GENERAL PURPOSE**

- |          |        |
|----------|--------|
| 550-0204 | Green  |
| 550-0304 | Yellow |
| 550-0404 | Red    |

**INTEGRAL RESISTOR**

- |          |            |
|----------|------------|
| 550-0504 | Red, 5V    |
| 550-0704 | Green, 5V  |
| 550-0804 | Yellow, 5V |

**LOW CURRENT**

- |          |        |
|----------|--------|
| 550-1104 | Red    |
| 550-1204 | Yellow |
| 550-1304 | Green  |

**HIGH EFFICIENCY**

- |          |        |
|----------|--------|
| 550-2204 | Green  |
| 550-2304 | Yellow |
| 550-2404 | Red    |
| 550-2504 | Orange |

**BI-COLOR**

- |          |              |
|----------|--------------|
| 550-3004 | Red/Green    |
| 550-3104 | Yellow/Green |



**SUPER BRIGHT, DIFFUSED**

- |          |        |
|----------|--------|
| 550-5104 | Red    |
| 550-5204 | Green  |
| 550-5304 | Yellow |

**SUPER BRIGHT, WATER CLEAR (Non-tinted, Non-diffused)**

- |          |        |
|----------|--------|
| 550-5504 | Red    |
| 550-5604 | Green  |
| 550-5704 | Yellow |

To order any of the 550-xx04 part numbers with Reverse Polarity (Cathode opposite side of notch), please add -010 to the part numbers shown above.

6

## Typical Operating Characteristics ( $T_A=25^\circ\text{C}$ )

See LED data sheet for additional information

**GENERAL PURPOSE** See page 6-55 and 6-56 for Reference Only LED Drive Circuit Examples. See page 6-57 for Pin Out

Part Number	Color	Peak Wavelength nm	$I_V$ mcd	$V_F$ Volts	Test Current (mA)	Viewing Angle $2\theta_{\frac{1}{2}}$	LED Data sheet	Page #
550-0204	Green	565	12.3	2.1	20	60°	5ND-9674	6-51
550-0304	Yellow	585	12.3	2.1	20	60°	5ND-9673	6-51
550-0404	Red	635	12.3	2	20	60°	5ND-9672	6-51

### INTEGRAL RESISTOR

Part Number	Color	Peak Wavelength nm	$I_V$ mcd	Test Voltage	Forward Current (mA)	Viewing Angle $2\theta_{\frac{1}{2}}$	LED Data sheet	Page #
550-0504	Red	655	2	5	13	60°	5RD-9422	6-52
550-0704	Green	565	8	5	12	60°	5RD-9423	6-52
550-0804	Yellow	583	8	5	10	60°	521-9284	6-41

### LOW CURRENT

Part Number	Color	Peak Wavelength nm	$I_V$ mcd	$V_F$ Volts	Test Current (mA)	Viewing Angle $2\theta_{\frac{1}{2}}$	LED Data sheet	Page #
550-1104	Red	635	2	1.8	2	50°	521-9320	6-42
550-1204	Yellow	583	1.8	1.9	2	50°	521-9321	6-42
550-1304	Green	565	1.8	1.8	2	50°	521-9327	6-42

### HIGH EFFICIENCY

Part Number	Color	Peak Wavelength nm	$I_V$ mcd	$V_F$ Volts	Test Current (mA)	Viewing Angle $2\theta_{\frac{1}{2}}$	LED Data sheet	Page #
550-2204	Green	563	10	2.1	10	65°	5HD-9270-5	6-49
550-2304	Yellow	585	6.3	2.1	10	50°	5HD-9271-5	6-49
550-2404	Red	650	7	2.2	10	50°	5HD-9269	6-49
550-2504	Orange	600	7	1.9	10	60°	521-9704	6-43

### BI-COLOR

Part Number	Color	Peak Wavelength nm	$I_V$ mcd	$V_F$ Volts	Test Current (mA)	Viewing Angle $2\theta_{\frac{1}{2}}$	LED Data sheet	Page #
550-3004	Red/Green	660/565	90/40	1.8/2.1	20	60°	521-9651	6-46
550-3104	Yellow/Green	585/565	8.7/8.7	2.1/2.1	20	50°	521-9724	6-46

### SUPER BRIGHT, DIFFUSED

Part Number	Color	Peak Wavelength nm	$I_V$ mcd	$V_F$ Volts	Test Current (mA)	Viewing Angle $2\theta_{\frac{1}{2}}$	LED Data sheet	Page #
550-5104	Red	650	34	2.1	20	50°	5SD-9441	6-53
550-5204	Green	563	34	2.2	20	50°	5SD-9456	6-53
550-5304	Yellow	585	34	2.2	20	50°	5SD-9455	6-53

### SUPER BRIGHT, WATER CLEAR (NON-TINTED, NON-DIFFUSED)

Part Number	Color	Peak Wavelength nm	$I_V$ mcd	$V_F$ Volts	Test Current (mA)	Viewing Angle $2\theta_{\frac{1}{2}}$	LED Data sheet	Page #
550-5504	Red	635	125	2.2	20	24°	521-9464	6-47
550-5604	Green	565	120	2.3	20	24°	521-9465	6-47
550-5704	Yellow	583	140	2.2	20	24°	521-9466	6-47