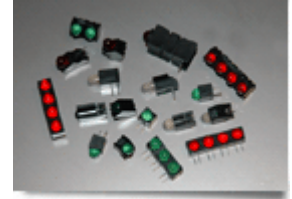


Part Number: **5500304F**

General Description

| | |
|-----------------|--------------------------|
| Series | 550 |
| Configuration | 5 mm Lens |
| Description | 5 mm Yellow Diffused CBI |
| Package Options | Bulk Packaging |
| Sizes | 5mm |
| Lamp Type | Single Color |
| Viewing | Top View |
| Polarity | Cathode Right |
| Lens Style | Diffused |




Absolute Maximum Ratings (Ta = 25°)

| | |
|-----------------------|---------------------|
| Forward Current mA | 20mA |
| Reverse Current | 100 @ Vr = 5V |
| Derating | from 25° @ .25mA/°C |
| Solder Temperature | 260° for 5 sec |
| Operating Temperature | -55 to +100 |
| Storage Temperature | -55 to +100 |



This is a
RoHS Compliant Product
[To learn more click here](#)

Operating Characteristics

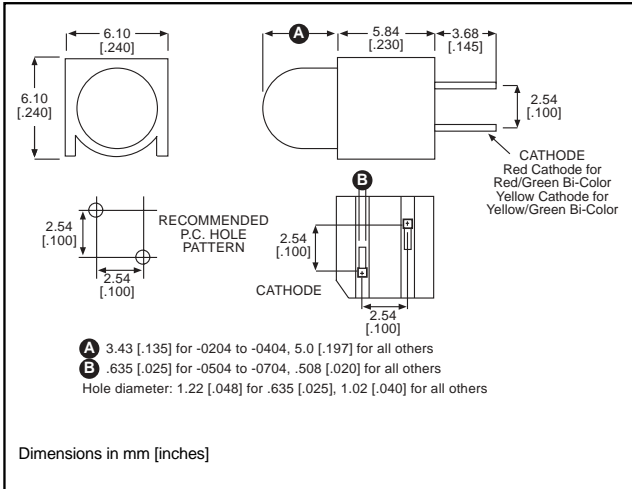
| | |
|----------------------------|--|
| Color |  Yellow |
| LED Type | Standard Efficiency |
| Luminous Intensity Min | 3.5 |
| Luminous Intensity Typical | 12.3 |
| Test Current mA | 20mA |
| Emitted Color | Yellow |
| Power Dissipation Max | 60mW |

5mm

LED CBI® Circuit Board Indicator
Top View, Single

Dialight

550-xx04



Standard Polarity shown in drawing: Cathode same side as notch

Features

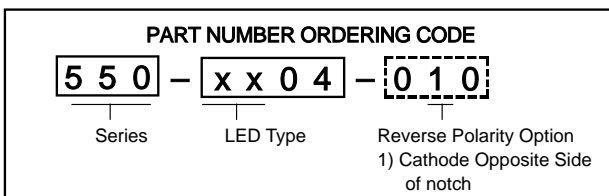
- Multiple CBIs form horizontal LED arrays on 6.35mm (0.250") center-lines.
- High Contrast, UL 94 V-0 rated, black housing
- Oxygen index: 32%
- Polymer content: PBT, 0.160 g
- Housing stand-offs facilitate PCB cleaning
- Solderability per MIL-STD-202F, method 208F
- LEDs are safe for direct viewing per IEC 825-1, EN-60825-1
- Compatible with:
550-xx04-004 quad block

Custom

- For custom LEDs contact factory.

Tolerance note: As noted, otherwise:

- LED Protrusion: ±0.04 mm [±0.016]
- CBI Housing: ±0.02mm[±0.008]



-010 Ordering Code Suffix required ONLY for Reverse Polarity Option

PART NO.

COLOR

GENERAL PURPOSE

| | |
|----------|--------|
| 550-0204 | Green |
| 550-0304 | Yellow |
| 550-0404 | Red |

INTEGRAL RESISTOR

| | |
|----------|------------|
| 550-0504 | Red, 5V |
| 550-0704 | Green, 5V |
| 550-0804 | Yellow, 5V |

LOW CURRENT

| | |
|----------|--------|
| 550-1104 | Red |
| 550-1204 | Yellow |
| 550-1304 | Green |

HIGH EFFICIENCY

| | |
|----------|--------|
| 550-2204 | Green |
| 550-2304 | Yellow |
| 550-2404 | Red |
| 550-2504 | Orange |

BI-COLOR

| | |
|----------|--------------|
| 550-3004 | Red/Green |
| 550-3104 | Yellow/Green |



SUPER BRIGHT, DIFFUSED

| | |
|----------|--------|
| 550-5104 | Red |
| 550-5204 | Green |
| 550-5304 | Yellow |

**SUPER BRIGHT, WATER CLEAR
(Non-tinted, Non-diffused)**

| | |
|----------|--------|
| 550-5504 | Red |
| 550-5604 | Green |
| 550-5704 | Yellow |

To order any of the 550-xx04 part numbers with Reverse Polarity (Cathode opposite side of notch), please add -010 to the part numbers shown above.

6

Typical Operating Characteristics ($T_A=25^\circ\text{C}$)

See LED data sheet for additional information

GENERAL PURPOSE See page 6-55 and 6-56 for Reference Only LED Drive Circuit Examples. See page 6-57 for Pin Out

| Part Number | Color | Peak Wavelength nm | I_V mcd | V_F Volts | Test Current (mA) | Viewing Angle $2\theta_{\frac{1}{2}}$ | LED Data sheet | Page # |
|-------------|--------|--------------------|-----------|-------------|-------------------|---------------------------------------|----------------|--------|
| 550-0204 | Green | 565 | 12.3 | 2.1 | 20 | 60° | 5ND-9674 | 6-51 |
| 550-0304 | Yellow | 585 | 12.3 | 2.1 | 20 | 60° | 5ND-9673 | 6-51 |
| 550-0404 | Red | 635 | 12.3 | 2 | 20 | 60° | 5ND-9672 | 6-51 |

INTEGRAL RESISTOR

| Part Number | Color | Peak Wavelength nm | I_V mcd | Test Voltage | Forward Current (mA) | Viewing Angle $2\theta_{\frac{1}{2}}$ | LED Data sheet | Page # |
|-------------|--------|--------------------|-----------|--------------|----------------------|---------------------------------------|----------------|--------|
| 550-0504 | Red | 655 | 2 | 5 | 13 | 60° | 5RD-9422 | 6-52 |
| 550-0704 | Green | 565 | 8 | 5 | 12 | 60° | 5RD-9423 | 6-52 |
| 550-0804 | Yellow | 583 | 8 | 5 | 10 | 60° | 521-9284 | 6-41 |

LOW CURRENT

| Part Number | Color | Peak Wavelength nm | I_V mcd | V_F Volts | Test Current (mA) | Viewing Angle $2\theta_{\frac{1}{2}}$ | LED Data sheet | Page # |
|-------------|--------|--------------------|-----------|-------------|-------------------|---------------------------------------|----------------|--------|
| 550-1104 | Red | 635 | 2 | 1.8 | 2 | 50° | 521-9320 | 6-42 |
| 550-1204 | Yellow | 583 | 1.8 | 1.9 | 2 | 50° | 521-9321 | 6-42 |
| 550-1304 | Green | 565 | 1.8 | 1.8 | 2 | 50° | 521-9327 | 6-42 |

HIGH EFFICIENCY

| Part Number | Color | Peak Wavelength nm | I_V mcd | V_F Volts | Test Current (mA) | Viewing Angle $2\theta_{\frac{1}{2}}$ | LED Data sheet | Page # |
|-------------|--------|--------------------|-----------|-------------|-------------------|---------------------------------------|----------------|--------|
| 550-2204 | Green | 563 | 10 | 2.1 | 10 | 65° | 5HD-9270-5 | 6-49 |
| 550-2304 | Yellow | 585 | 6.3 | 2.1 | 10 | 50° | 5HD-9271-5 | 6-49 |
| 550-2404 | Red | 650 | 7 | 2.2 | 10 | 50° | 5HD-9269 | 6-49 |
| 550-2504 | Orange | 600 | 7 | 1.9 | 10 | 60° | 521-9704 | 6-43 |

BI-COLOR

| Part Number | Color | Peak Wavelength nm | I_V mcd | V_F Volts | Test Current (mA) | Viewing Angle $2\theta_{\frac{1}{2}}$ | LED Data sheet | Page # |
|-------------|--------------|--------------------|-----------|-------------|-------------------|---------------------------------------|----------------|--------|
| 550-3004 | Red/Green | 660/565 | 90/40 | 1.8/2.1 | 20 | 60° | 521-9651 | 6-46 |
| 550-3104 | Yellow/Green | 585/565 | 8.7/8.7 | 2.1/2.1 | 20 | 50° | 521-9724 | 6-46 |

SUPER BRIGHT, DIFFUSED

| Part Number | Color | Peak Wavelength nm | I_V mcd | V_F Volts | Test Current (mA) | Viewing Angle $2\theta_{\frac{1}{2}}$ | LED Data sheet | Page # |
|-------------|--------|--------------------|-----------|-------------|-------------------|---------------------------------------|----------------|--------|
| 550-5104 | Red | 650 | 34 | 2.1 | 20 | 50° | 5SD-9441 | 6-53 |
| 550-5204 | Green | 563 | 34 | 2.2 | 20 | 50° | 5SD-9456 | 6-53 |
| 550-5304 | Yellow | 585 | 34 | 2.2 | 20 | 50° | 5SD-9455 | 6-53 |

SUPER BRIGHT, WATER CLEAR (NON-TINTED, NON-DIFFUSED)

| Part Number | Color | Peak Wavelength nm | I_V mcd | V_F Volts | Test Current (mA) | Viewing Angle $2\theta_{\frac{1}{2}}$ | LED Data sheet | Page # |
|-------------|--------|--------------------|-----------|-------------|-------------------|---------------------------------------|----------------|--------|
| 550-5504 | Red | 635 | 125 | 2.2 | 20 | 24° | 521-9464 | 6-47 |
| 550-5604 | Green | 565 | 120 | 2.3 | 20 | 24° | 521-9465 | 6-47 |
| 550-5704 | Yellow | 583 | 140 | 2.2 | 20 | 24° | 521-9466 | 6-47 |