

Home > 24979683332504F

Part Number: **24979683332504F**

General Description

| | |
|----------------------------|--|
| Color | Green |
| Series | 249 |
| Description | Green LED 3/8" Mounting Hole Indicator |
| Housing | Black Anodized |
| Mounting Method | Nut and Washer |
| Compliance | Front or Rear of Panel, UL-E15584 |
| Termination | 3/8-32 Solder |
| Terminal Type | TURRET |
| Terminal Other | 249 SERIES (GREEN LED) |
| Mounting Hole Size | 3/8" |
| Cap Material And Shape | Short Stovepipe, fresnel, plastic |
| Cap Finish Description | Unfrosted or Transparent |
| Metal Finish Desc | Black Anodized |
| Built In Resistor Desc | None |
| Hardware Desc | Aluminum |
| Panel Thickness | .312" |
| Lens Style | Cylindrical |
| Luminous Intensity Typical | 40 mcd |
| Forward Current mA | 20 mA |
| Voltage | 5 VDC |
| Operating Temperature | -20 +71 |
| Storage Temperature | -40 +71 |

Dialight

249 Series

LED Panel Mount Indicators for 3/8" Mounting Hole



FEATURES / BENEFITS

- ▲ RoHS Compliant
- ▲ Long life – typically 100K hours
- ▲ Low power consumption – uses up to 90% less energy than an incandescent indicator
- ▲ Front or rear panel mounting
- ▲ Available in either cylindrical or stovepipe lens, unique internal fresnel design provides uniform illumination
- ▲ Aluminum black anodized housing enhances contrast
- ▲ No heat generate
- ▲ Resistant to shock and vibration
- ▲ Colors include – red, green, yellow and blue
- ▲ Polarity indication by terminal (+) denotes anode

APPLICATIONS

Dialight's 249 series LED panel mount indicator is available with a variety of LEDs as well as neon for 120 VAC operation. Typical applications for the 249 series include:

- Main and remote power indication
- Maintenance and warning indication
- Process Control
- Status indication
- Instrumentation
-and many more!

SPECIFICATIONS

- ▲ Voltage requirements: 3.6, 5, 10, 14 and 28 VDC* (No current limiting resistor required)
 - ▲ Electrical connection: Turret terminals for wire wrapping
 - ▲ Mounting hole size: 0.375" (9.53 mm)
 - ▲ Operating temperature: -20° to +71°C
 - ▲ Storage temperature: -40° to +71°C
 - ▲ Max Panel thickness: 0.312" (7.92 mm)
 - ▲ Mounts with knurled flange nut, lock washer and nut.
- * Dialight recommends tolerance of 5% of specified voltage range

STOVEPIPE LENS

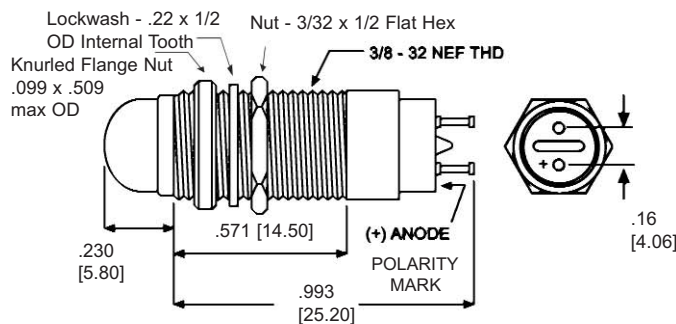


Figure 1

NOTES:

1. Dimensions in inches [mm]
2. All measurements are typical
3. Hardware includes knurled ring, lock washer & hex nut

CYLINDRICAL LENS 1

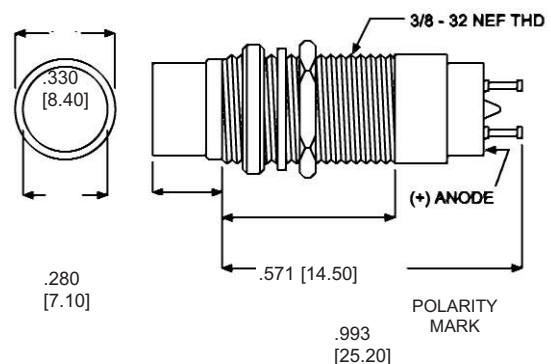


Figure 2

1. Cylindrical lens will provide wider viewing angle.

MATERIALS / FINISH

| Description | Material | Finish |
|--------------------|-----------------|---------------------|
| Mounting Body | Aluminum | Black Anodize |
| Terminals | Phosphor Bronze | Fused Tin |
| Knurled Flange Nut | Aluminum | Black Anodize |
| Lock Washer | Phosphor Bronze | White Nickel Plated |
| Nut | Brass | White Nickel Plated |

STOVEPIPE CAP

CYLINDRICAL CAP

| PART NUMBER | COLOR | VOLTAGE (VDC)* | CURRENT (mA) | INTENSITY TYP (mcd) | FIGURE |
|--------------------|--------|----------------|--------------|---------------------|--------|
| 249-4162-3734-504F | Blue | 3.5** | 10 | 1500 | 1 |
| 249-7867-3731-504F | Red | 3.6 | 20 | 170 | 1 |
| 249-7967-3732-504F | Green | 3.6 | 20 | 100 | 1 |
| 249-8067-3733-504F | Yellow | 3.6 | 20 | 150 | 1 |
| 249-4164-3734-504F | Blue | 5 | 10 | 1500 | 1 |
| 249-7868-3731-504F | Red | 5 | 20 | 170 | 1 |
| 249-7968-3732-504F | Green | 5 | 20 | 100 | 1 |
| 249-8068-3733-504F | Yellow | 5 | 20 | 150 | 1 |
| 249-4166-3734-504F | Blue | 10 | 10 | 1500 | 1 |
| 249-7870-3731-504F | Red | 10 | 20 | 170 | 1 |
| 249-7970-3732-504F | Green | 10 | 20 | 100 | 1 |
| 249-8070-3733-504F | Yellow | 10 | 20 | 150 | 1 |
| 249-4167-3734-504F | Blue | 14 | 10 | 1500 | 1 |
| 249-7871-3731-504F | Red | 14 | 20 | 170 | 1 |
| 249-7971-3732-504F | Green | 14 | 20 | 100 | 1 |
| 249-8071-3733-504F | Yellow | 14 | 20 | 150 | 1 |
| 249-4168-3734-504F | Blue | 28 | 10 | 1500 | 1 |
| 249-7872-3731-504F | Red | 28 | 20 | 170 | 1 |
| 249-7972-3732-504F | Green | 28 | 20 | 100 | 1 |
| 249-8072-3733-504F | Yellow | 28 | 20 | 150 | 1 |

| PART NUMBER | COLOR | VOLTAGE (VDC)* | CURRENT (mA) | INTENSITY TYP (mcd) | FIGURE |
|--------------------|--------|----------------|--------------|---------------------|--------|
| 249-4162-3334-504F | Blue | 3.5** | 10 | 700 | 2 |
| 249-7867-3331-504F | Red | 3.6 | 20 | 55 | 2 |
| 249-7967-3332-504F | Green | 3.6 | 20 | 40 | 2 |
| 249-8067-3333-504F | Yellow | 3.6 | 20 | 75 | 2 |
| 249-4164-3334-504F | Blue | 5 | 10 | 700 | 2 |
| 249-7868-3331-504F | Red | 5 | 20 | 55 | 2 |
| 249-7968-3332-504F | Green | 5 | 20 | 40 | 2 |
| 249-8068-3333-504F | Yellow | 5 | 20 | 75 | 2 |
| 249-4166-3334-504F | Blue | 10 | 10 | 700 | 2 |
| 249-7870-3331-504F | Red | 10 | 20 | 55 | 2 |
| 249-7970-3332-504F | Green | 10 | 20 | 40 | 2 |
| 249-8070-3333-504F | Yellow | 10 | 20 | 75 | 2 |
| 249-4167-3334-504F | Blue | 14 | 10 | 700 | 2 |
| 249-7871-3331-504F | Red | 14 | 20 | 55 | 2 |
| 249-7971-3332-504F | Green | 14 | 20 | 40 | 2 |
| 249-8071-3333-504F | Yellow | 14 | 20 | 75 | 2 |
| 249-4168-3334-504F | Blue | 28 | 10 | 700 | 2 |
| 249-7872-3331-504F | Red | 28 | 20 | 55 | 2 |
| 249-7972-3332-504F | Green | 28 | 20 | 40 | 2 |
| 249-8072-3333-504F | Yellow | 28 | 20 | 75 | 2 |

* Dialight recommends tolerance of 5% of specified voltage range

** VF typical - Requires current limiting resistor

Dialight reserves the right to make changes at any time in order to supply the best product possible.

