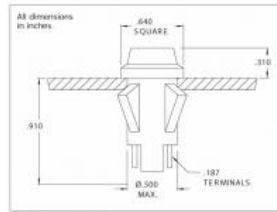




Products

Neon & Incandescent Indicators

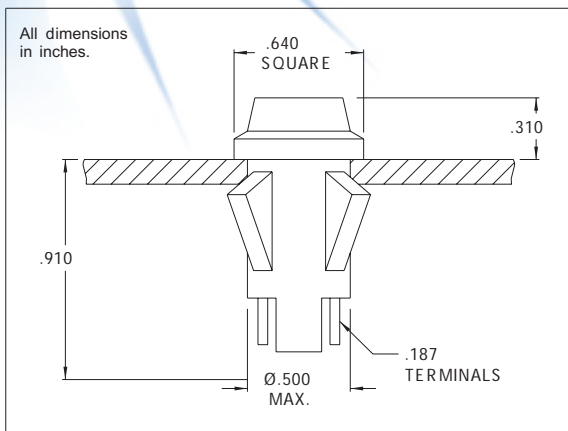
CML IT offers panel mount indicators manufactured with LED, Neon or Incandescent light sources. These indicators are available in a number of different lens and termination styles, with voltages of 2V ~ 250V available off-the-shelf.



Part Number: 1052QN5
Serial Number: 1052
Light Source: Neon
Color: Green
Voltage (V): 125VAC
Mounting Hole (inch): 0.50
Mounting Hole (metric): 12.7
Termination: .187" QC
Bezel color: Stainless Steel
Housing color: White
UL file: E20325
CSA file: LR13346
RoHS Status: Yes

1050QN, 1052QN Series Non-Relampable Neon Indicator Light

DESCRIPTION AND FEATURES



Mounting: Will snap-fit into Ø.500/.505 hole in panels .020/.100 thick. Push-on speednut SN0461 also available.
 Mounting hole pattern on page SP2.

Terminals: Quick-connect, Tinned brass

Lens: Polycarbonate

Bezel: Polished stainless steel.
 For black finish add "X" after the series letter(s).

Housing: White Nylon

	Neon
Lens Color	Model No. (105-125VAC)
Red	1050QN1
Amber	1050QN3
White	1050QN4
Green	1052QN5*
Lamp used	A2A+R resistor

* Incorporates G2B lamp and resistor.
 Underwriters Laboratories (UL) File No. E20325
 Canadian Standards Association (CSA) File No. LR13346