

◆ Home > 1251191403

Part Number: **1251191403**

General Description

Series	125
Configuration	OIL TIGHT
Description	MINIATURE OIL TIGHT PANEL INDICATOR
Cap Material And Shape	Stovepipe, polycarbonate with bezel
Cap Finish Description	Internal Fluting
Cap Color Desc	Red
Metal Finish Desc	Satin Chrome
Built In Resistor Desc	None
Hardware Desc	Watertight



1251191403

INCANDESCENT PANEL MOUNT INDICATORS

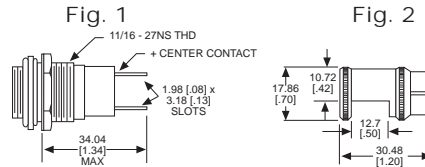


021 SERIES FOR 11/16" MOUNTING HOLE • LIGHT SHIELD

BASE PART NO.	VOLTAGE	FIG
021-0410-29-301	2-120	1

CAP PART NO.	COLOR	FIG
021-2900-300	NO LENS	2

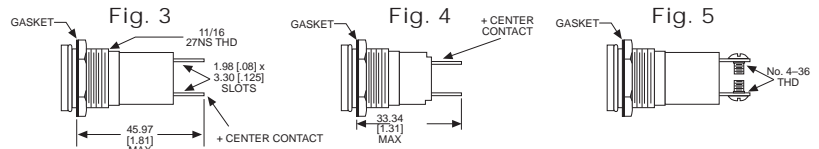
Material & Finish: Chrome Plated Brass



Uses:
T-3 1/4 MINIATURE
BAYONET BASE
INCANDESCENT LAMP

052, 081, 095, 135 SERIES FOR 11/16" MOUNTING HOLE • WATERTIGHT

BASE PART NO.	VOLTAGE	FIG
081-0410-01-303	2-120	3
081-1059-01-303†	2-120	4
081-1310-01-303	2-120	5



† Part No. 081-1059-01-303 uses T2 Telephone Slide Base Lamp (PSB Type); CSA certified

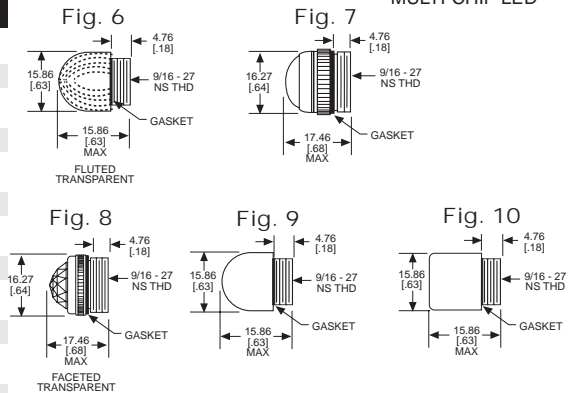
** Dialight recommends: transparent lens caps for Based LED;
Clear lens caps for green Based LEDs

Uses:
T-3 1/4 MINIATURE BAYONET BASE
INCANDESCENT LAMP,
CLUSTER BASED LED** OR
MULTI-CHIP LED**

CAP PART NO. *	COLOR	FIG	CAP PART NO. *	COLOR	FIG
052-3191-003	RED	6	081-0433-303	AMBER	8
052-3192-003	GREEN	6	081-0435-303	WHITE	8
052-3193-003	AMBER	6	081-0437-303	CLEAR	8
052-3195-003	WHITE	6	095-3137-003	CLEAR	9
052-3197-003	CLEAR	6	095-3171-003	RED	9
081-0111-303	RED	7	095-3172-003	GREEN	9
081-0112-303	GREEN	7	095-3173-003	AMBER	9
081-0113-303	AMBER	7	095-3175-003	WHITE	9
081-0117-303	CLEAR	7	135-3237-003	CLEAR	10
081-0135-303	WHITE	7	135-3271-003	RED	10
081-0137-303	CLEAR	7	135-3272-003	GREEN	10
081-0431-303	RED	8	135-3273-003	AMBER	10
081-0432-303	GREEN	8	135-3275-003	WHITE	10

Material & Finish: Base - Chrome Plated Brass,
Cap - Polycarbonate with Chrome Plated Bezel on
the 081 Series Fig. 7 and Fig. 8.

** Dialight recommends: transparent lens caps for
Based LED; Clear lens caps for green Based LEDs

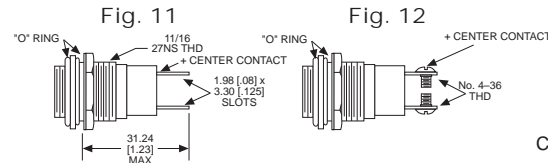


***PART NUMBER ORDERING CODE**
081-0xxx-303
Series Lens Finish:
1 = Back Frosted
(Not available in white)
3 = Transparent**

***PART NUMBER ORDERING CODE**
095 - 31xx - 003
135 - 32xx - 003
Series Lens Finish:
3 = Transparent**
7 = Translucent
(Not available in clear)

125 SERIES FOR 11/16" MOUNTING HOLE • OILTIGHT*

BASE PART NO.	VOLTAGE	FIG
125-0410-11-103	2-120	11
125-1310-11-103	2-120	12

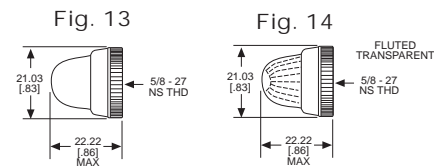


Uses:
T-3 1/4 MINIATURE
BAYONET BASE
INCANDESCENT LAMP,
CLUSTER BASED LED**,
OR MULTI-CHIP LED**

CAP PART NO.	COLOR	FIG	CAP PART NO.	COLOR	FIG
125-1131-403	RED	13	125-1191-403	RED	14
125-1132-403	GREEN	13	125-1192-403	GREEN	14
125-1133-403	AMBER	13	125-1193-403	AMBER	14
125-1135-403	WHITE	13	125-1195-403	WHITE	14
125-1137-403	CLEAR	13	125-1197-403	CLEAR	14

Material & Finish: Base - Nickel Plated Brass
Cap - Polycarbonate with Chrome Plated Brass Bezel

* See Page 14 for Oiltight information
Neon and incandescent lamp information on Pages 35 and 36.
Based LED lamp information on Pages 37 through 40.



***PART NUMBER ORDERING CODE**
125 - 11xx - 403
Series Lens Finish:
1 = Back Frosted
(Not available in white)
3 = Transparent**

** Dialight recommends: transparent lens caps for Based LED; Clear lens caps for green Based LEDs

