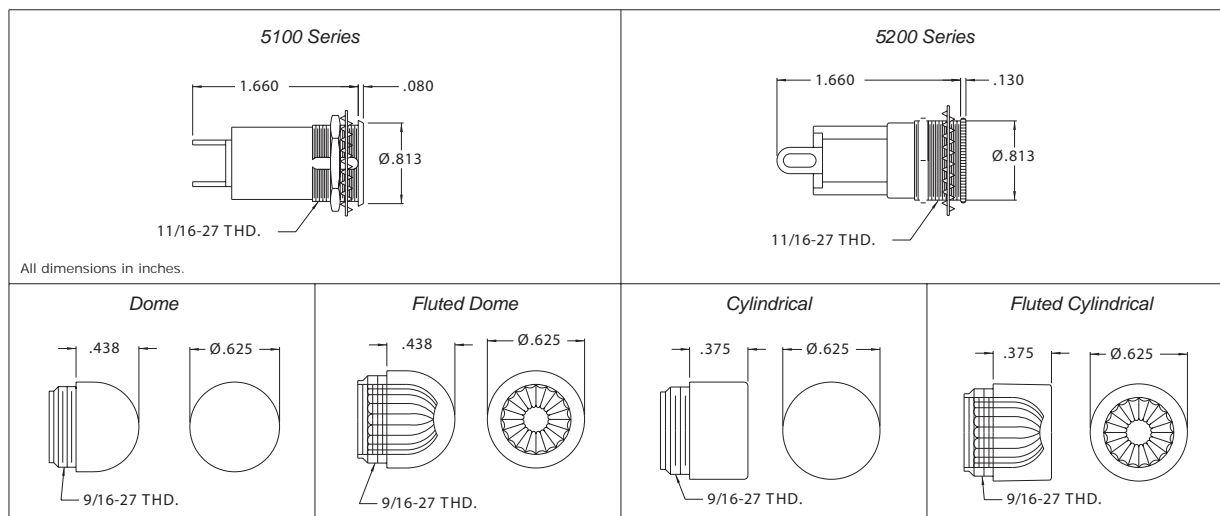




Miniature Relampable Indicator Light

DESCRIPTION AND FEATURES



The Chicago Miniature Lamp Miniature Indicator Lights are versatile, industry standard, front panel indicators capable of accepting a variety of T-2 and T-3 1/4 miniature bayonet based incandescent and neon lamps. Available in the deluxe 5200 Series and the very cost efficient 5100 Series. These indicator lights accept a variety of different lens styles and colors, and are excellent for providing a large, bright, easily noticed status indicator. The lamp is not included with this indicator light; please order the required lamp separately.

SPECIFICATIONS

| Part Number: | Description | Lens Part No: | Description |
|--------------------------|--|---------------|--------------------------------|
| 5100-822 | solder lug terminals, no resistor | 25P-306* | Transparent dome |
| 5100-823 | screw type terminals, no resistor | 25P-307** | Translucent dome |
| 5100-824 | .250 Q.C. terminals, no resistor | 25P-326* | Transparent fluted dome |
| 5200-222 | solder lug terminals, no resistor | 25P-606* | Transparent cylindrical |
| 5200-232 | solder lug terminals, built-in 22K ohm resistor | 25P-607** | Translucent cylindrical |
| 5200-242 | solder lug terminals, built-in 100K ohm resistor | 25P-626* | Transparent fluted cylindrical |
| Mounting Hole: | .688 | | |
| Mounting Centers: | .969 | | |
| Maximum Panel Thickness: | .406 | | |
| Housing/Lens Material: | 5100 Series-Glass filled polyester, 5200 Series-Phenolic | | |
| Bezel: | (5100 Series only): stainless steel | | |
| Mounting Bushing/Bezel: | (5200 Series only): chrome plated brass | | |
| Hex Nut: | Zinc plated steel | | |
| Lockwasher: | Chromate treated steel | | |
| Lenses: | High temperature lexan | | |
| Approvals: | UL listed, CSA certified (except Q.C. terminal versions) | | |
| Electrical Rating: | up to 250 Volts, up to 3 Watts (contact factory for specific product rating) | | |

Chicago Miniature Lamp reserves the right to make specification revisions that enhance the design and/or performance of the product