

[Full Catalog](#) > [Personnel Grounding](#) > [Field Service Kits](#) >



**16475 - MAT, PORTABLE,  
WITH WRIST STRAP, 18IN x  
22IN**

**Additional Images: 1**

Quantity in stock:

211

- **0.018 in. (0.46 mm) red laminated dissipate vinyl**  
Antistatic, low tribocharging, portable, protective worksurface with two ground snaps
- **15' long common point ground cord**  
Provided with 1 megohm resistance between mat and ground and banana jacks for two wrist straps
- **Large threaded grounding clip**
- **Construction is a supported laminate for added tear strength**  
Holds up longer in demanding and rough "Field Service" environment
- **Adjustable wrist strap included**  
Everything needed is provided
- **Ground cord threaded end designed to fit ground jack AC outlet**
- **Canvas carrying pouch**  
Easy to store and transport service kit
- **To see Desco's Field Service Kit being used, [click here](#)**
- **Made in America**

Surface Resistivity: 10E6 - 10E8 Ohms per ANSI/ESD S4.1

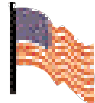
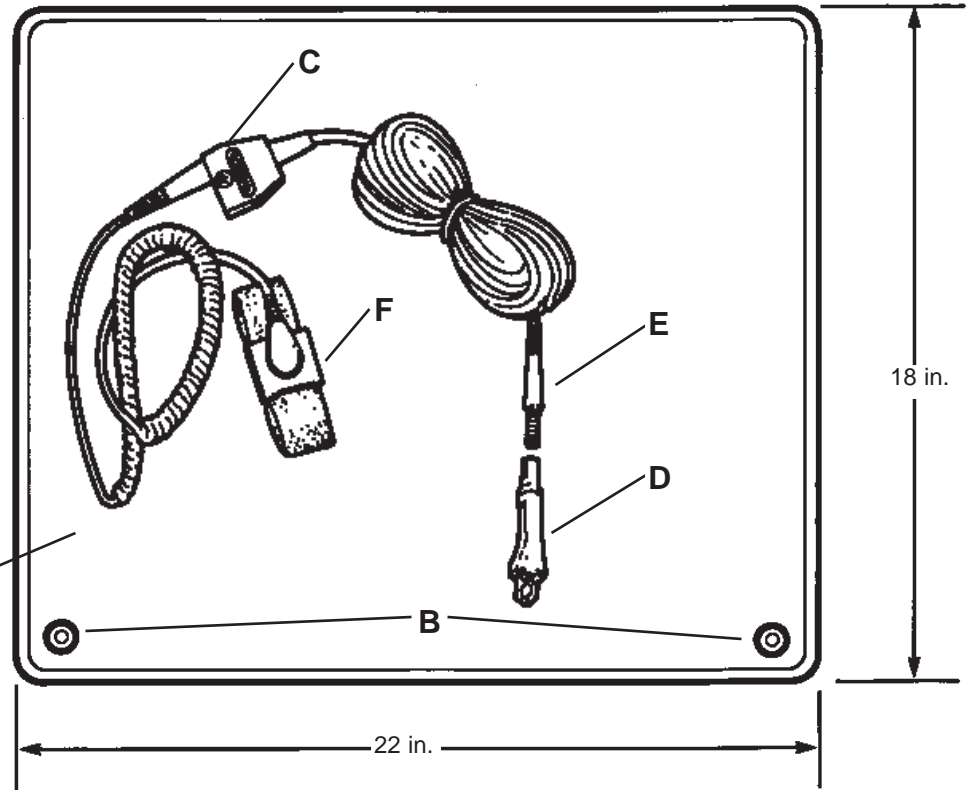
### **Drawings**

[16475](#) - Red Vinyl Field Service Kit 18" x 22"

### **Technical Documents**

[TB-2011](#) - Field Service Kits

- A. Material is .018" (0.46mm) thick, red static dissipative vinyl. Surface resistance on both sides is 10E6 - 10E8 ohms, per ANSI/ESD S4.1
- B. Two ground points, 10mm (.395") female sockets, riveted to material.
- C. Common point ground cord, with 1 megohm resistor, 15' long high flex 20 AWG wire with black PVC .107" O.D. insulation. Ground terminations are 10mm (.395") male snap with two un-resisted banana jacks for grounding wrist straps.
- D. A large detachable screw-on grounding clip (item 09750) is included to connect to a ground point. The large, insulated clip provides plenty of holding power.
- E. Molded, 10-32 threaded metal end can fit into ground socket on 3-wire AC electrical outlet.
- F. Item 16475 includes one adjustable elastic wrist band and one six foot coil cord with a 1 megohm resistor. (See Drawings 14810 and 14010, respectively.)
- G. Canvas field service carrying case included.



Made in America

**Specifications:**

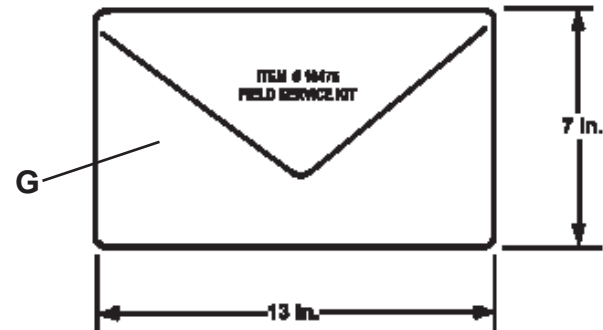
Color	Red
Thickness	0.018" (0.46mm)
Bursting Strength	400 PSI

**Electrical Properties:**

RTT(Point to Point)	10E6 - 10E8 Ohms	per ANSI/ESD-S4.1
Charge Decay	0.01 Sec. 5000V to 0V 12% RH	per FTMS 101C-4046.1

Dissipative worksurface slows charge removal; meets ANSI/ESD S20.20 worksurface required limit and recommendation of ANSI/ESD S4.1

For complete information on field service kits, ask for Technical Bulletin TB-2011.



KIT, FIELD SERVICE, VINYL, 18" x 22", RED

# DESCO

DRAWING NUMBER  
16475

DATE: