

NR / NRU Liquid-Level Controllers

You are in: [Crouzet Products](#) / [Automation Controls](#) / [Control Relays](#) / [Liquid Level Controllers](#) / [NR\(U\)](#)

PRODUCT FEATURES

NRU Series Liquid-Level Control

- Pump-up controller
- 8-pin, 11-pin, or DIN mount options
- Sensitivity adjustable from 4.7K to 47K Ohms
- 10 amp SPDT output relay

NR Series Liquid-Level Control

- Pump-down controller
- 8-pin, 11-pin, or DIN mount options
- Sensitivity adjustable from 4.7K to 47K Ohms
- 10 amp SPDT output relay



NRU Series Liquid-Level Controllers (Pump-Up)

Mounting Style	Input Power	Output	Series	Part number
Din Mount	24 V AC	SPDT	NRU	DNRU24A
Din Mount	48 V AC	SPDT	NRU	DNRU48A
Din Mount	110 V AC	SPDT	NRU	DNRU110A
Din Mount	220 V AC	SPDT	NRU	DNRU220A
11 Pin-in	24 V AC	SPDT	NRU	LNRU24A
11 Pin-in	48 V AC	SPDT	NRU	LNRU48A
11 Pin-in	110 V AC	SPDT	NRU	LNRU110A
11 Pin-in	220 V AC	SPDT	NRU	LNRU220A
8 Pin-in	24 V AC	SPDT	NRU	PNRU24A
8 Pin-in	48 V AC	SPDT	NRU	PNRU48A
8 Pin-in	110 V AC	SPDT	NRU	PNRU110A
8 Pin-in	220 V AC	SPDT	NRU	PNRU220A

NR Series Liquid-Level Controllers (Pump-Down)

Mounting Style	Input Power	Output	Series	Part number
Din Mount	24 V AC	SPDT	NR	DNR24A
Din Mount	48 V AC	SPDT	NR	DNR48A
Din Mount	110 V AC	SPDT	NR	DNR110A
Din Mount	220 V AC	SPDT	NR	DNR220A
11 Pin-in	24 V AC	SPDT	NR	LNR24A
11 Pin-in	48 V AC	SPDT	NR	LNR48A
11 Pin-in	110 V AC	SPDT	NR	LNR110A
11 Pin-in	220 V AC	SPDT	NR	LNR220A

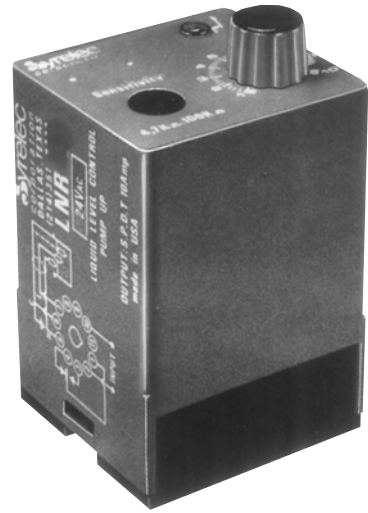
8 Pin-in	24 V AC	SPDT	NR	<u>PNR24A</u>
8 Pin-in	48 V AC	SPDT	NR	<u>PNR48A</u>
8 Pin-in	110 V AC	SPDT	NR	<u>PNR110A</u>
8 Pin-in	220 V AC	SPDT	NR	<u>PNR220A</u>

NR SERIES

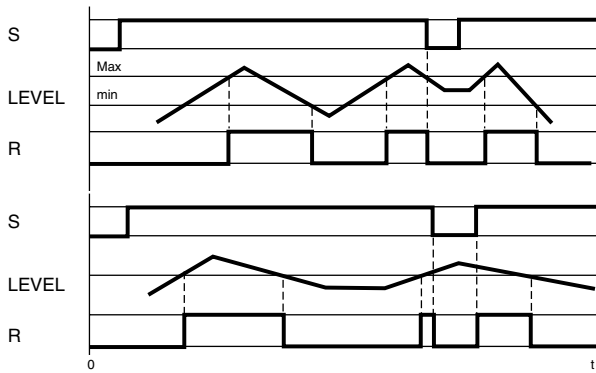
LIQUID LEVEL CONTROL

PUMP DOWN

UL listed CSA recognized



- **24 VAC to 220 VAC Operating Voltages**
- **4.7 kΩ to 100 kΩ Sensitivity**
- **LED Relay Indicator**
- **10 Amp SPDT Relay**

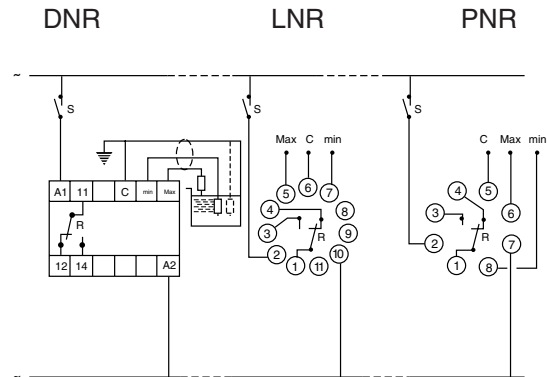


The output relay energizes when the liquid level reaches the high probe. The relay de-energizes when the liquid falls below the low probe. This control can also be used with only two probes by connecting the maximum and common terminals together. The output is energized when the level reaches the low probe. In both functions, if the container is conductive, it may be used as the common probe in some applications.

SPECIFICATIONS:

Input	24, 48, 110, 220 VAC ±15% (50/60 Hz)
Maximum power consumption	24 VAC: 1.5 VA
	48 VAC: 1.7 VA
	110 VAC: 2 VA
	220 VAC: 2 VA
Output	SPDT relay
Contact material	AgCdO
Maximum loading	10A AC resistive 8A DC inductive
Maximum switching voltage	250 VAC 250 VDC
Relay maximum power rating	2500 VA 80 W
Mechanical life of relay	3 x 10 ⁷ operations
Electrical life of relay	2 x 10 ⁵ at 2200 VA resistive load
Probe isolation	Electrodes: 2000 VAC
Probe sensitivity	4.7 K to 100 K ohms
Probe voltage	24 VAC, 60 Hz
Probe current	2 mA max.
Operating temperature	+14°F to 140°F -10°C to +60°C
Weight	4.6 oz. (130g)

WIRING DIAGRAM:

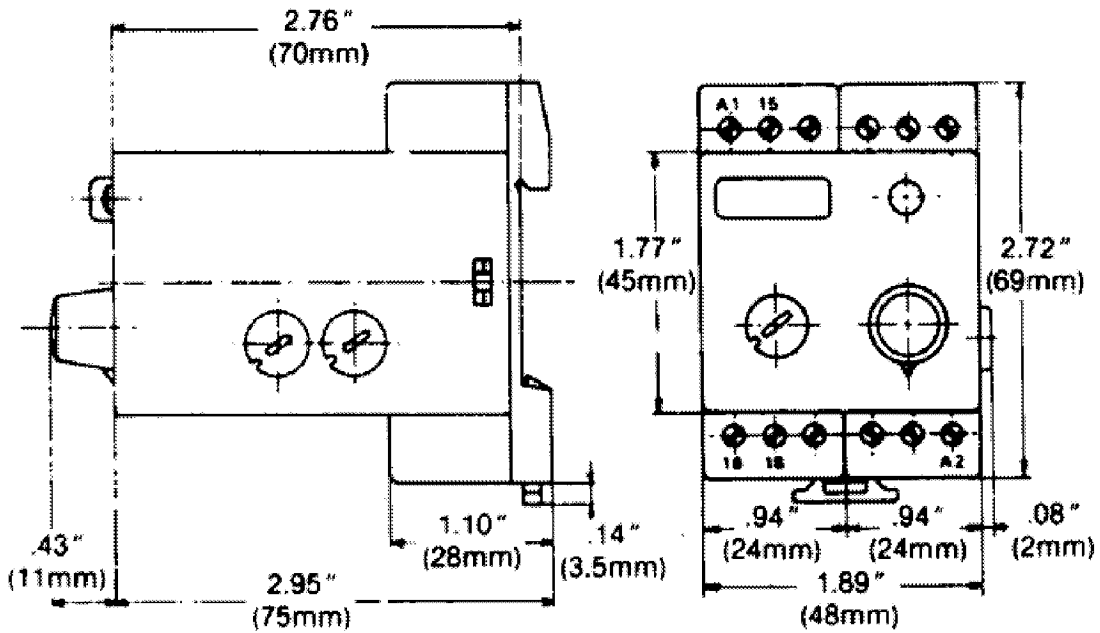


ORDERING INFORMATION:



DIMENSIONS:

D - DIN-Rail



L & P - Sockets

