

C4 SERIES OUTPUT MODULES



- Plug into mounting boards for C4 Series modules
- AC Outputs (Black Case)
- DC Outputs (Red Case)
- 4kV Optical isolation
- Replaceable 2 AG Type Fuse
- Industry standard packaging
- Built-in LED Status Indicator

SPECIFICATIONS (1)

Input

Part Number	C4OAC	C4OACA	C4OACR	C4OACAR	C4ODC	C4ODCA
Nominal Voltage VDC	4-32	4-32	4-32	4-32	4-32	4-32
Minimum Voltage VDC	4.0	4.0	4.0	4.0	4.0	4.0
Maximum Voltage VDC	32	32	32	32	32	32
Drop-out Voltage	1.0	1.0	1.0	1.0	1.0	1.0
Maximum Current (2) (3)	22	22	22	22	16	16
Resistance	Regulated Input	Regulated Input	Regulated Input	Regulated Input	Regulated Input	Regulated Input

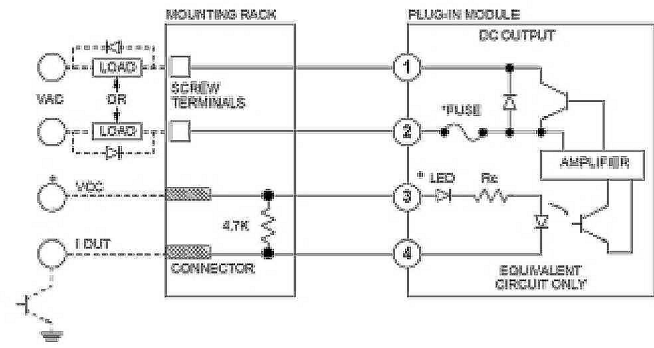
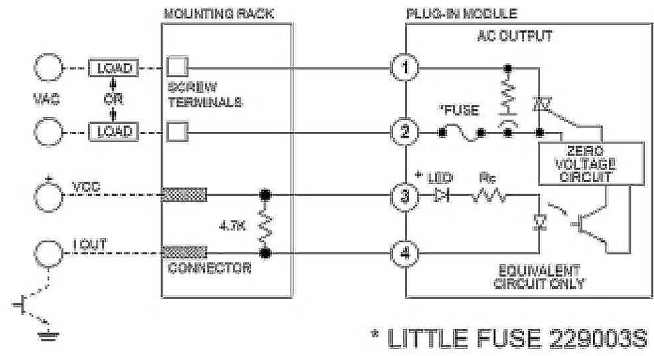
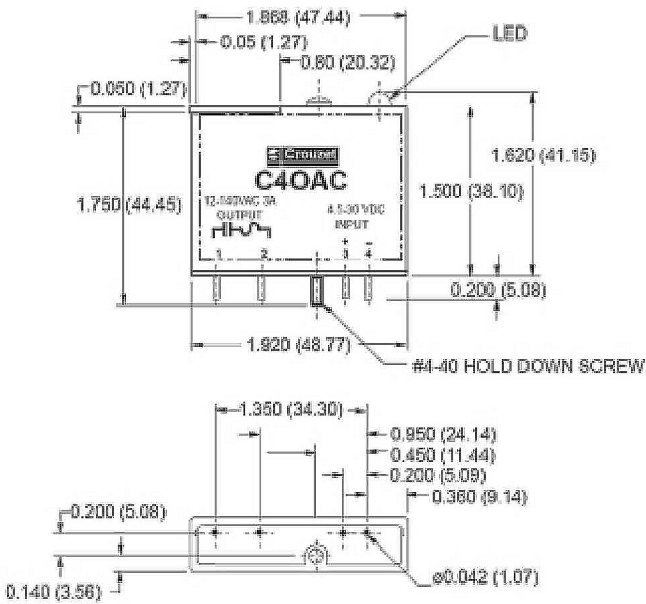
Output

Nominal Line Voltage	120 VAC	240 VAC	120 VAC	240 VAC	5-48 VDC	5-150 VDC
Minimum Line Voltage	12 VAC	12 VAC	12 VAC	12 VAC	5.0 VDC	3 VDC
Maximum Line Voltage	140 VAC	280 VAC	140 VAC	280 VAC	60 VDC	250 VDC
Max Off-State Voltage (4)	600 Vpeak	600 Vpeak	600 Vpeak	600 Vpeak	60 VDC	250 VDC
Max Off-State Leakage (5)	0.1mArms	0.1mArms	0.1mArms	0.1mArms	10 uA	10 uA
Static Off-State dv/dt (6)	200 V/usec	200 V/usec	200 V/usec	200 V/usec	n/a	n/a
Maximum Rated On-State Current (7)	3.0 Arms	3.0 Arms	3.0 Arms	3.0 Arms	3.0 A	1.0 A
Minimum On-State Current	50 mArms	50 mArms	50 mArms	50 mArms	10 mA	10 mA
Max Surge Current (8)	100 Apeak	100 Apeak	100 Apeak	100 Apeak	5.0 Apeak	5.0 Apeak
On-State Voltage Drop or Resistance (9)	1.6 V	1.6 V	1.6 V	1.6 V	1.6 V	1.6 V
HP Rating	1/4	1/4	1/4	1/4	n/a	n/a
Maximum Turn-On Time [msec] (10)	8.33	8.33	0.1	0.1	0.05	0.05
Maximum Turn-Off Time [msec]	8.33	8.33	8.33	8.33	0.05	0.05
Input/Output Isolation Voltage (11)	4000	4000	4000	4000	4000	4000
Input/Output Capacitance	4	4	4	4	4	4
Operating Temperature Range	-30 to 80°C	-30 to 80°C	-30 to 80°C	-30 to 80°C	-30 to 80°C	-30 to 80°C
Storage Temperature Range	-40 to 100°C	-40 to 100°C	-40 to 100°C	-40 to 100°C	-40 to 100°C	-40 to 100°C
Line Frequency Range	47 to 63 Hz	47 to 63 Hz	47 to 63 Hz	47 to 63 Hz	DC	DC
Weight	1.1 oz. (31.2g)	1.1 oz. (31.2g)	1.1 oz. (31.2g)	1.1 oz. (31.2g)	1.1 oz. (31.2g)	1.1 oz. (31.2g)

General Notes:

- (1) Specifications apply to an ambient temperature of -30 to 80 °C unless otherwise noted.
- (2) At 32 VDC typical.
- (3) 13 m at 5 VDC for AC output modules only.
- (4) Maximum 1 minute duration.
- (5) At maximum rated line voltage, TA=80°C.
- (6) Minimum DV/DT per EIA/NARM RS433, method RS397, DV/DT ratings do not apply to DC output modules.
- (7) Without any external heat sink in still air, TA=45°C, at 40°C derate 40 mA/°C to 80°C.
- (8) At 25°C for 1 second maximum duration: 1 AC cycle for AC modules, 1 second for DC modules.
- (9) At peak rated current.
- (10) Before zero voltage, Vin=4V AC modules only based on 60Hz. Vin=15V for DC modules.
- (11) For 1 second maximum duration TA= 25°C.

MECHANICAL SPECIFICATIONS



AGENCY APPROVALS

UL E46203
CSA 38595

