

89750153 : Millenium 3 accessories - Temperature sensors - AS

- ✓ Integrated converter: 0-10 V DC output for direct connection to the Millenium 3 analogue inputs

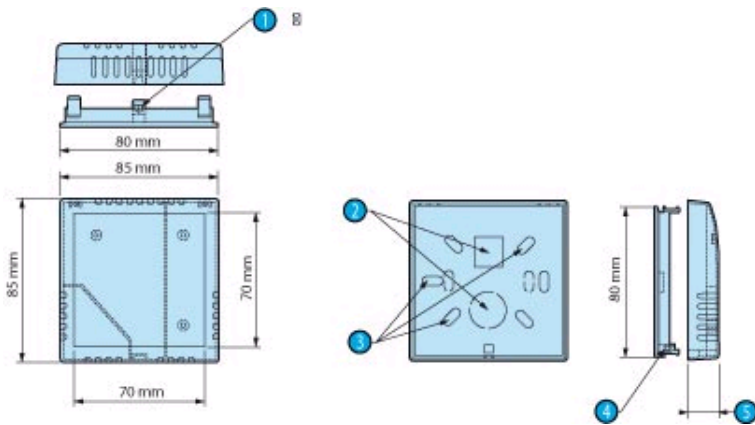


Part number characteristics	89750153
Description	Remote/submersible probe
Range	-10 →+150°C
Accuracy	-0.2 °C +1.2°C
Supply	24 V DC
Protection casing	IP65
Protection probe	IP67

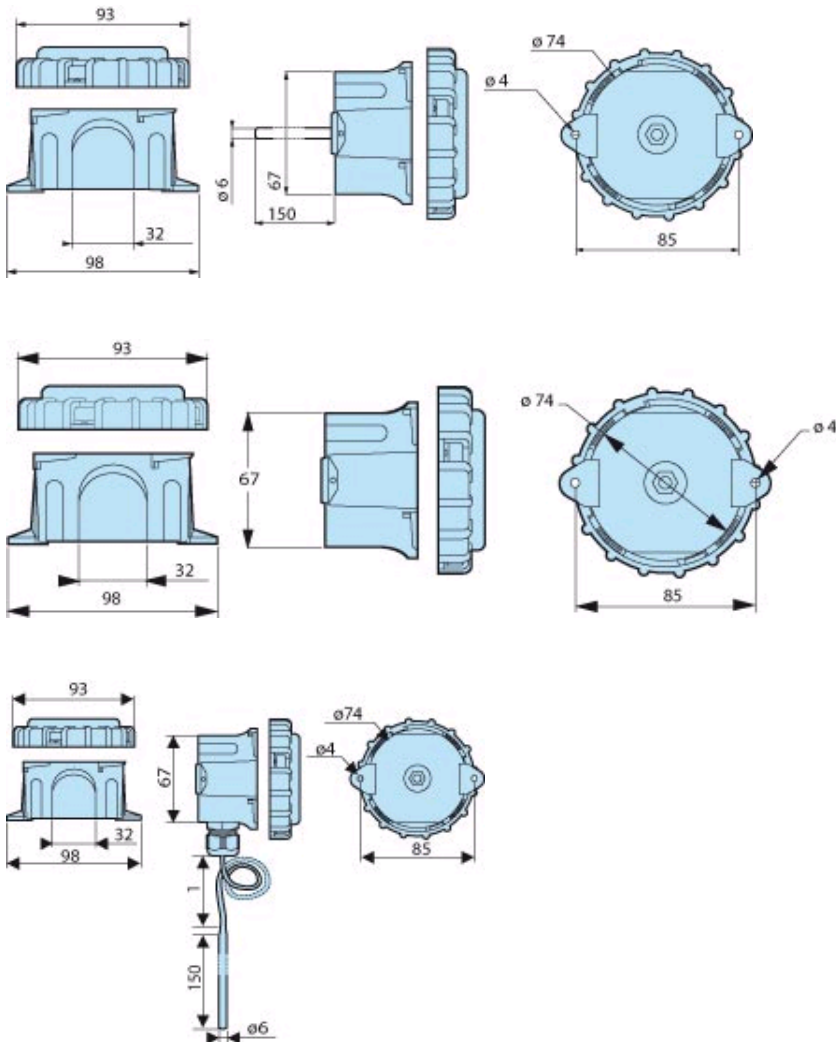
General characteristics

89750153 : Millenium 3 accessories - Temperature sensors - AS	
Environmental characteristics	
Ambient temperature	-10 →+60°C
Ambient humidity	5 →95% RH
Housing material	Self-extinguishing
Electrical characteristics	
Supply voltage	24 V DC (± 10%)
Output	0 →10 V DC
Temperature coefficients Derating	0.01%/°C of full scale
Temperature coefficients Offset	1.5 mV / °C

Dimensions

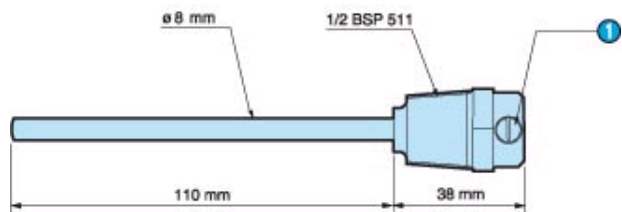


N°	Legend
1	Ø3 mm for M3 x 8 screw
2	Cut-outs made prior to delivery
3	Fixing holes
4	Indentation for M3 square nut
5	Total depth 26 mm



89750153

Microcontrol



N°	Legend
1	M4 screw