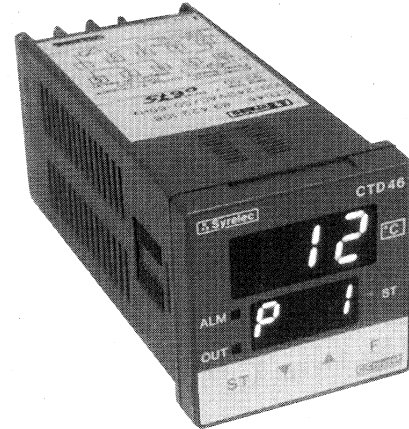


CTD 46 AND 43 SERIES TEMPERATURE CONTROLLER

UL & CSA

- 1/16 DIN-Sized Enclosure
- 5 Temperature Control Modes
- Multiple Temperature Range (°F and °C)
- Auto-tuning
- Built-in Alarm
- Soft Start Function
- NEMA 4X Front Panel



DESCRIPTION:

The CTD Series is a temperature controller available in two basic models: The CTD 43 is a single display unit and the CTD 46 is a dual display unit. Both models have a temperature range of -199 to 999°F or -199 to 999°C and will accept J, K, L, or N type thermocouples and RTD's as temperature sensors. Control modes include ON-OFF or proportioning action (PID, P, PI, PD). The main output can be programmed for direct (cooling) or inverse (heating) and the relay alarm output programmed to 16 different alarm configurations. The auto-tuning "Smart" function will calculate and set automatically the optimum values for the PID mode to insure the closest control of any heating or cooling load.

SPECIFICATIONS:

Input Power 100 to 240 VAC, 50/60 Hz +15% - 10%
 24 VAC, 50/60 Hz, +15% - 10%
 24 VDC, +15% - 10%

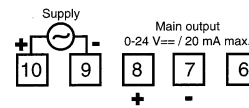
Display
 CTD 43
Measure/Presel Display 3 Digit (10mm) Red Leds
 CTD 46
Measure Display 3 Digit (10mm) Red Leds
Presel Display 3 Digit (7.5mm) Green Leds

Output
Main Output Relay: SPDT, 3 Amp 250 VAC
 Logic: Level 1: 24 VDC/1mA
 14 VDC/20 mA
 Level O: 0.5 VDC Max/0 mA

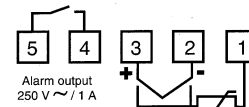
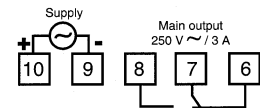
Alarm Output Relay: SPST N.O. 1 Amp 250 VAC
Display Accuracy +/- 0.3% of full scale range
Reference Function Derating 0.1 deg C/deg C
Max. Power Consumption 5 VA
Insulation Resistance > 100 M ohm
Dielectric Strength 1500 Vrms
Sampling Period 0.5 sec
NEMA Rating NEMA 4x
Wiring Connection Screw Terminals
Weight 11 oz. (300g)
Operating Temperature 32°F to 122°F

WIRING DIAGRAM:

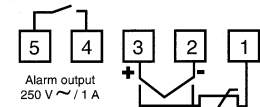
Voltage output



Relay output

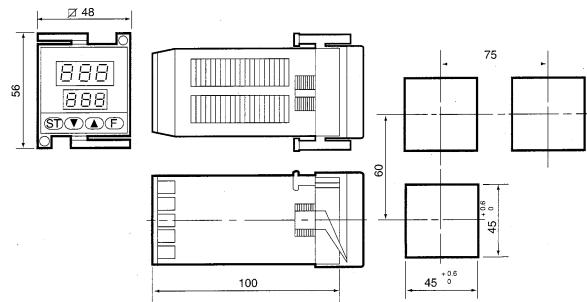


Connection of thermocouple or resistance thermometer



Connection of thermocouple or resistance thermometer

DIMENSIONS: (mm)



ORDERING INFORMATION:

VOLTAGE

VOLTAGE
110/220 VAC
110/220 VAC
24 VAC/DC
24 VAC/DC

OUTPUT

OUTPUT
Relay
Transistor
Relay
Transistor

PART NUMBER

PART NUMBER	
CTD43	CTD46
89421108	89422108
89421118	89422118
89421102	89422102
89421112	89422112

Products and specifications subject to change without notice.
 Consult factory for application assistance.