

814 / 816 Series Panel-Mount Electronic Timers

You are in: [Crouzet Products /Automation Controls /Panel-Mount Timers /Multifunction LCD Timers](#)

PRODUCT FEATURES

814 Series

- + DIN-Sized (48 x 48mm) Housing
- + 6 Modes of Operation
- + Large LCD Display
- + Up or Down Timing
- + [814 Instructions](#)

816 Series

- + DIN-Sized (48 x 48mm) Housing
- + Red LCD Backlit Actual Timing Display
- + High Contrast LCD Setpoint Display
- + 6 Modes of Operation
- + [816 Instructions](#)



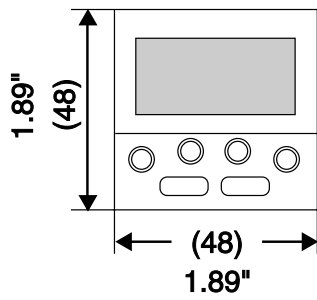
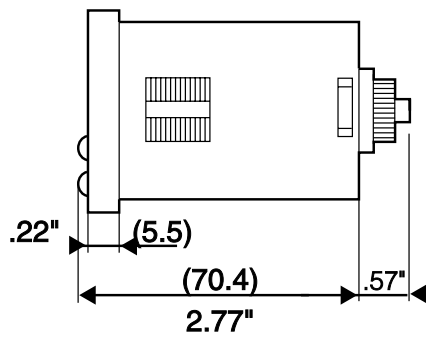
814 Series

Function	Connection	Supply Voltage	Nominal Rating	Part number	
A, B, C, D, DI, H	8-Pin	24VACDC, 110/220VAC	10A SPDT	88857005	Check Stock
A, B, C, D, DI, H	8-Pin	12VDC, 24/48VACDC	10A SPDT	88857003	Check Stock
A, B, C, D, DI, H	11-Pin	24VACDC, 110/220VAC	8A SPDT	88857105	Check Stock
A, B, C, D, DI, H	11-Pin	12VDC, 24/48VACDC	8A SPDT	88857103	Check Stock

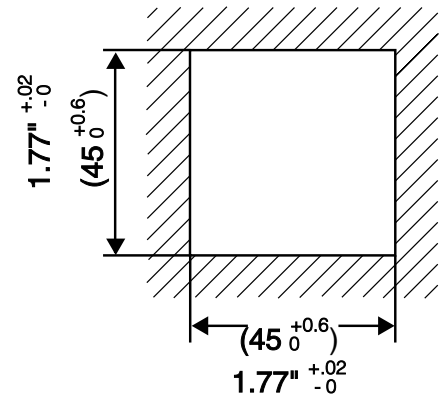
816 Series

Function	Connection	Supply Voltage	Nominal Rating	Part number	
A, B, C, D, DI, H	8-Pin	24VACDC, 110VAC	8A SPDT	88857607	Check Stock
A, B, C, D, DI, H	8-Pin	24VACDC, 220VAC	8A SPDT	88857601	Check Stock
A, B, C, D, DI, H	11-Pin	24VACDC, 110VAC	8A SPDT	88857707	Check Stock
A, B, C, D, DI, H	11-Pin	24VACDC, 220VAC	8A SPDT	88857701	Check Stock

812, 814, 815, 816 Series

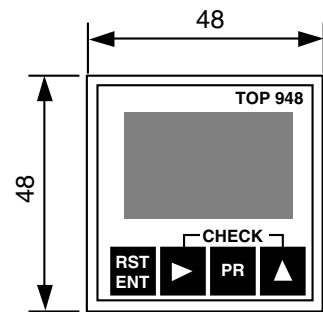
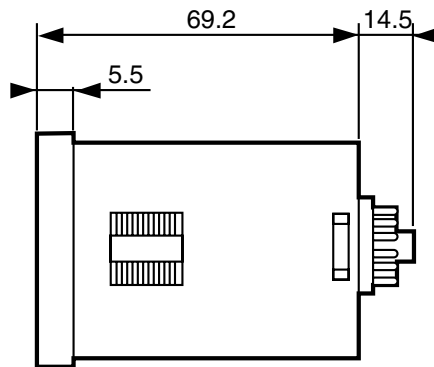
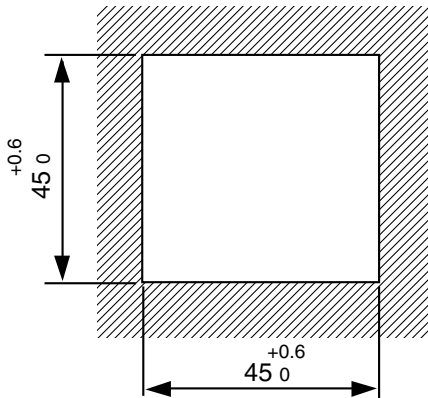


Panel cut-out



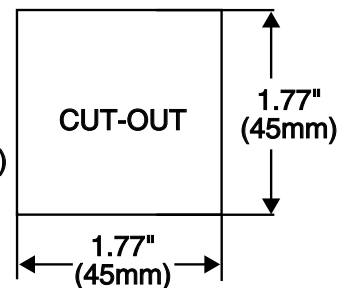
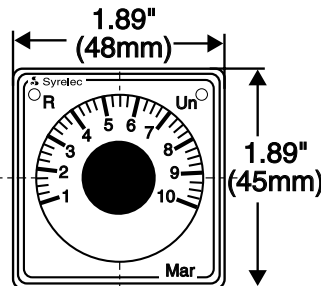
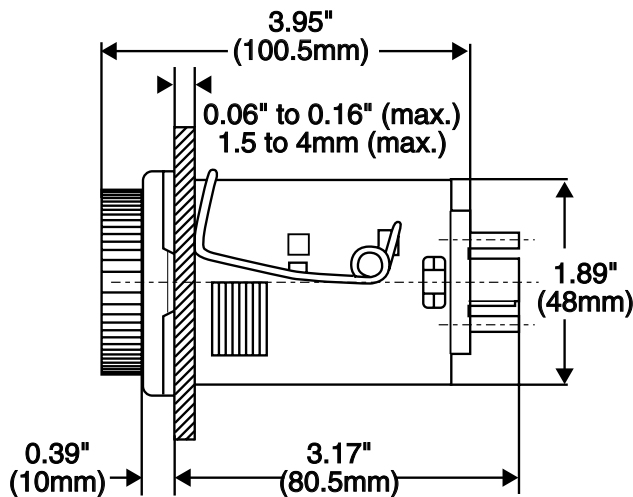
88857 Series

Cut-out



M/F/G Models

M and G Socket



814 SERIES MULTIFUNCTION TIMER

UL listed CSA recognized

- **DIN-Sized (48 x 48mm) Housing**
- **6 Modes of Operation**
- **Large LCD Display**
- **Up or Down Timing**
- **SPDT 10 Amp Relay Output**
- **NEMA 12 Front Panel**

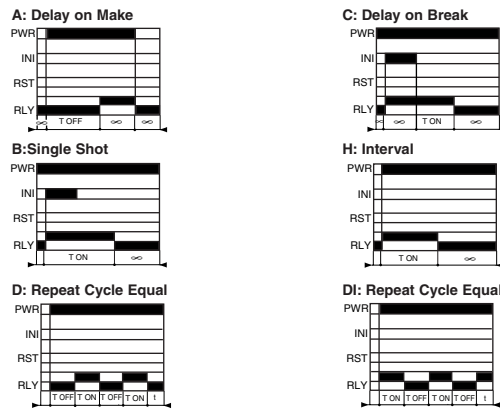


The 814 Series Timer is a multifunction timer with multi-time ranges (0.01 sec to 9999 hours) housed in a 1/16 DIN (48 x 48mm) style enclosure. Easy programming from the front panel push buttons allows selection of up or down timing, 6 different timing functions (Delay on Make, Delay on Break, Interval, Single Shot, Repeat Cycle ON Time First and Repeat OFF Time First) and 11 different timing ranges. A large 4-digit LCD display indicates current and preset values as well as relay output, power input, and initiate switch status. Load such, as light bulb or contactor can be connected to the start switch. Slide switch on side of unit provides lockout of front panel access to operating mode programming.

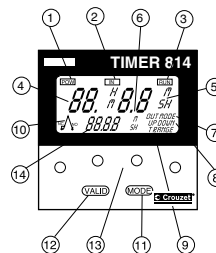
SPECIFICATIONS:

Input Power	220 VAC, 115 VAC, 48 VAC/DC, 24 VAC/DC 12 VDC, 50/60 Hz, ±15%
Input Power Consumption	11 VA at 220 VAC 0.5 W at 24 VDC 4 VA at 110 VAC 0.5 W at 12 VDC 1 VA at 24 VAC
Display	Timing Display .3" (7.5mm) High 4 Digit LCD Preset Display .18" (4.5mm) High 4 Digit LCD
Initiate Switch Input	Dry Contact (50 ms min.)
Output	SPDT Relay
Max. Switching Current/Voltage	8 pin Version: 10 Amp 250 VAC 11 pin Version: 8 Amp 250 VAC
Max. Power Rating	2000 VA/50 W
Min. Switch Current	100 mA
Electrical Life of Relay	2 x 10 ⁶ Operations
Time Ranges	99.99 s, 999.9 s 9999 s, 99 min, 59 s 99.99 min 999.9 min 9999 min 99h 59 min 99.99 hrs 999.9 hrs 9999 h
	Note: The 99.99 s time range is not available in the Repeat Cycle Mode
Front Panel Rating	NEMA 12
Repeat Accuracy	±0.03%
Reset Time	50 ms during timing 50 ms after timing
Insulation Resistance	100 MΩ min @ 500 VAC to IEC 255.5
Dielectric Strength	2000 VAC @ 50 Hz for 1 min to VDE 0435
Operating Temperature	+14°F to +140°F (-10°C to +60°C)
Weight	3.5 oz. (100g)
Panel Cutout	45 x 45mm (+0.6)

MODE OF OPERATIONS:

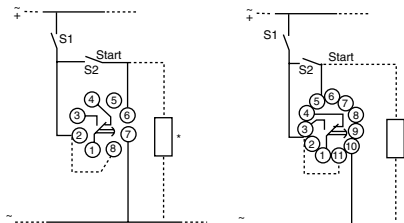


PROGRAMMING:



- 1: Power On Indicator
- 2: Initiate Switch Indicator
- 3: Timing Indicator
- 4: Timing Display
- 5: Timing Range Unit
- 6: Decimal Point
- 7: Mode of Operation
- 8: Up or Down Timing
- 9: Timing Range
- 10: Relay Output Status
- 11: Program Mode
- 12: Validation
- 13: Preset Keyboard
- 14: Preset Value Display

WIRING:



For 24 VAC/VDC service voltage for 8 pin versions jumper terminals 2 and 8. For 24 VAC/VDC service voltage for 11 pin versions jumper terminals 2 and 11.

*Load, such as light bulb or contractor, can be connected in parallel with the start switch

ORDERING INFORMATION:

VOLTAGE
VOLTAGE

PART NUMBER
8 PIN

PART NUMBER
11 PIN

DIMENSIONS See page 4-2

VOLTAGE
220/110 VAC/24 VAC/DC
48/24 VAC/DC/12 VDC

8 PIN VERSION
88 857 005
88 857 003

11 PIN VERSION
88 857 105
88 857 103