

1.5	2 m PVC Cable	NC		<b><u>84717005</u></b>
1.5	2 m PVC Cable		NO	<b><u>84717104</u></b>
1.5	2 m PVC Cable		NC	<b><u>84717105</u></b>

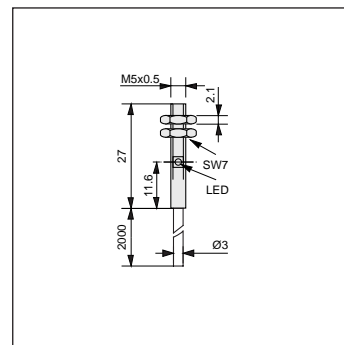
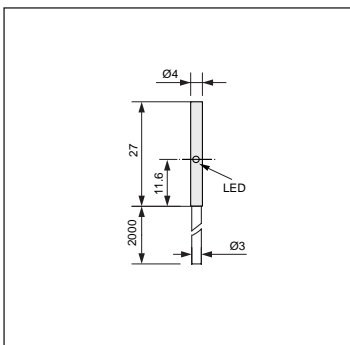
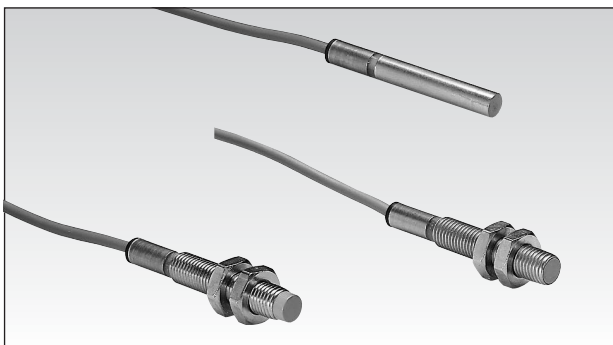
**M8 Screened**

<u>Nominal Sensing Distance Sn (mm)</u>	<u>Connection</u>	<u>3-Wire DC Polarity PNP</u>	<u>3-Wire DC Polarity NPN</u>	<u>Part Number</u>
1	2 m PVC Cable	NO		<b><u>84717006</u></b>
1	2 m PVC Cable	NC		<b><u>84717007</u></b>
1	2 m PVC Cable		NO	<b><u>84717106</u></b>
1	2 m PVC Cable		NC	<b><u>84717107</u></b>

**M8 Non-Screened**

<u>Nominal Sensing Distance Sn (mm)</u>	<u>Connection</u>	<u>3-Wire DC Polarity PNP</u>	<u>3-Wire DC Polarity NPN</u>	<u>Part Number</u>
2	2 m PVC Cable	NO		<b><u>84717008</u></b>
2	2 m PVC Cable	NC		<b><u>84717009</u></b>
2	2 m PVC Cable		NO	<b><u>84717108</u></b>
2	2 m PVC Cable		NC	<b><u>84717109</u></b>

# Inductive Proximity Detectors - Ø 4, M5, Ø 6.5, M8 - Cable



<b>Form</b>	Ø 4 screened	M5 screened
<b>Nominal sensing distance Sn (mm)</b>	0.8	0.8
<b>Housing</b>	Stainless steel	Stainless steel
<b>Tightening torque (Nm)</b>	—	2.5
<b>Termination</b>	2 m PVC cable *M8s/steel connector	2 m PVC cable *M8s/steel connector

## Part numbers

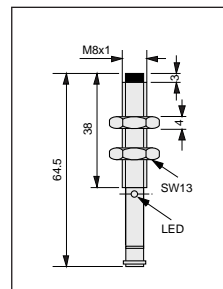
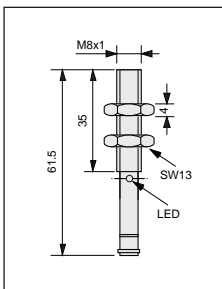
### 3-wire DC types

<b>PNP</b>	<b>NO</b>	
	<b>NC</b>	
<b>NPN</b>	<b>NO</b>	
	<b>NC</b>	

Min/max. supply voltage	10 to 30 V $\bar{=}$	10 to 30 V $\bar{=}$
Max. load current (Ia)	150 mA	150 mA
Residual open-state current (Ir) / Own consumption (Io)	0.05 mA / 17.5 mA	0.05 mA / 17.5 mA
Voltage drop in closed state (Ud) / Max. ripple factor (Vr)	2.5 V / < 10 %	2.5 V / < 10 %
Switching frequency / Delay on pick-up (td)	1 kHz / 10 ms	1 kHz / 10 ms
LED indicator	yes	yes
Protection against permanent short-circuits and overloads	yes	yes
Protection against mis-connections of any type	yes	yes
Conductor cross-section / External cable diameter	3 x 0.14 mm <sup>2</sup> / 3 mm	3 x 0.14 mm <sup>2</sup> / 3 mm

<b>84 717 000</b>	<b>*84 717 022</b>	<b>84 717 002</b>	<b>*84 717 024</b>
<b>84 717 001</b>	<b>*84 717 023</b>	<b>84 717 003</b>	<b>*84 717 025</b>
<b>84 717 100</b>	<b>*84 717 122</b>	<b>84 717 102</b>	<b>*84 717 124</b>
<b>84 717 101</b>	<b>*84 717 123</b>	<b>84 717 103</b>	<b>*84 717 125</b>

# Inductive Proximity Detectors - M8 - Connectors



<b>Form</b>	M8 screened	M8 non-screened
<b>Nominal sensing distance Sn (mm)</b>	1	2
<b>Housing</b>	Stainless steel	Stainless steel
<b>Tightening torque (Nm)</b>	10	10
<b>Termination</b>	M8 s/steel connector	M8 s/steel connector

## Part numbers

### 3-wire DC types

<b>PNP</b>	<b>NO</b>	
	<b>NC</b>	
<b>NPN</b>	<b>NO</b>	
	<b>NC</b>	

Min/max. supply voltage	10 to 40 V $\bar{=}$	10 to 40 V $\bar{=}$
Max. load current (Ia)	200 mA	200 mA
Residual open-state current (Ir) / Own consumption (Io)	0.05 mA / 7 mA	0.05 mA / 7 mA
Voltage drop in closed state (Ud) / Max. ripple factor (Vr)	3 V / < 10 %	3 V / < 10 %
Switching frequency / Delay on pick-up (td)	2 kHz / 50 ms	1.5 kHz / 50 ms
LED indicator	yes	yes
Protection against permanent short-circuits and overloads	yes	yes
Protection against mis-connections of any type	yes	yes

<b>84 717 010</b>	<b>84 717 012</b>
<b>84 717 011</b>	<b>84 717 013</b>
<b>84 717 110</b>	<b>84 717 112</b>
<b>84 717 111</b>	<b>84 717 113</b>

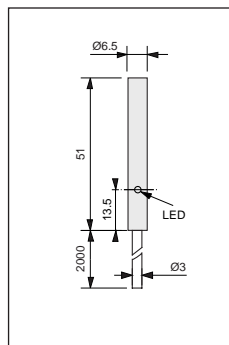
## Accessories

Mounting flanges, see page 3/102

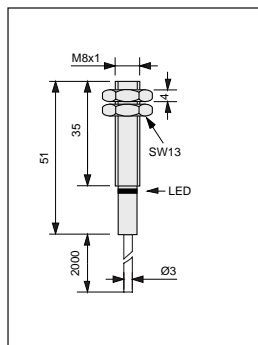
Connectors, see pages 3/100 to 3/101

## Other information

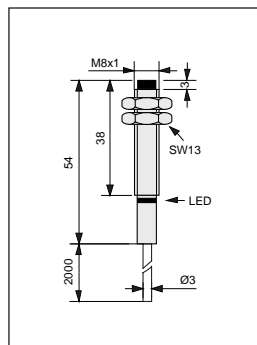
Special adaptations are available depending on the type of request and quantity required. Eg. cable length, tube length, connector type, etc.



Ø 6.5 screened  
1.5  
Stainless steel  
—  
2 m PVC cable



M8 screened  
1  
Stainless steel  
10  
2 m PVC cable



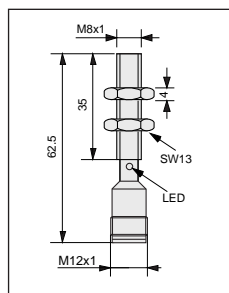
M8 non-screened  
2  
Stainless steel  
10  
2 m PVC cable

1

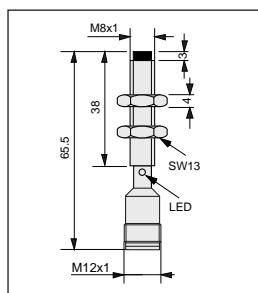
**84 717 004**  
**84 717 005**  
**84 717 104**  
**84 717 105**  
10 to 40 V  $\equiv$   
200 mA  
0.05 mA / 7 mA  
3 V / < 10 %  
2 kHz / 50 ms  
yes  
yes  
yes  
3 x 0.14 mm<sup>2</sup> / 3 mm

**84 717 006**  
**84 717 007**  
**84 717 106**  
**84 717 107**  
10 to 40 V  $\equiv$   
200 mA  
0.05 mA / 7 mA  
3 V / < 10 %  
2 kHz / 50 ms  
yes  
yes  
yes  
3 x 0.14 mm<sup>2</sup> / 3 mm

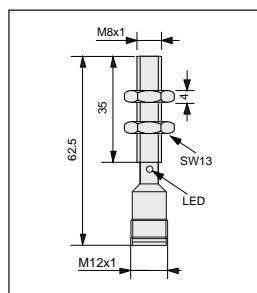
**84 717 008**  
**84 717 009**  
**84 717 108**  
**84 717 109**  
10 to 40 V  $\equiv$   
200 mA  
0.05 mA / 7 mA  
3 V / < 10 %  
1.5 kHz / 50 ms  
yes  
yes  
yes  
3 x 0.14 mm<sup>2</sup> / 3 mm



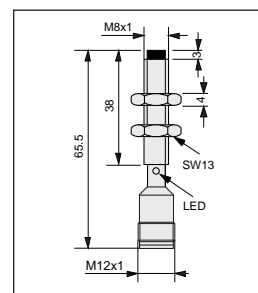
M8 screened  
1  
Stainless steel  
10  
M12 s/steel connector



M8 non-screened  
2  
Stainless steel  
10  
M12 stainless steel connector



M8 screened  
1  
Stainless steel  
10  
M12 plastic connector



M8 non-screened  
2  
Stainless steel  
10  
M12 plastic connector

1

**84 717 014**  
**84 717 015**  
**84 717 114**  
**84 717 115**  
10 to 40 V  $\equiv$   
200 mA  
0.05 mA / 7 mA  
3 V / < 10 %  
2 kHz / 50 ms  
yes  
yes  
yes

**84 717 016**  
**84 717 017**  
**84 717 116**  
**84 717 117**  
10 to 40 V  $\equiv$   
200 mA  
0.05 mA / 7 mA  
3 V / < 10 %  
1.5 kHz / 50 ms  
yes  
yes  
yes

**84 717 018**  
**84 717 019**  
**84 717 118**  
**84 717 119**  
10 to 40 V  $\equiv$   
200 mA  
0.05 mA / 7 mA  
3 V / < 10 %  
2 kHz / 50 ms  
yes  
yes  
yes

**84 717 020**  
**84 717 021**  
**84 717 120**  
**84 717 121**  
10 to 40 V  $\equiv$   
200 mA  
0.05 mA / 7 mA  
3 V / < 10 %  
1.5 kHz / 50 ms  
yes  
yes  
yes

**To order, specify:**

Standard products

Standard products,  
non stocked

**1** Part number  
Example : Inductive proximity detector Ø4 84 717 000