

838930/838931 Series



You are in: **Crouzet Products / Switches and Sensors / Safety Limit Switches / 838930-838931 Series Miniature Plastic Key Interlock Limit Switch**

Key-operated safety interlock switches for monitoring the moving cover
Plastic bodies and heads with 4 possible head position
Positive opening contacts

83893 0/1 IP67

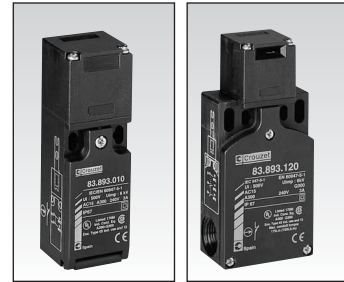
| Type of Contacts | Cable Entry (NFC 68 300) | Weight (grams) | Part Number |
|-----------------------------------------------------------------------------|--------------------------|----------------|---------------------------------|
| NC + NO 2-pole contact NC + NO break before make (bbm) slow action | Qty 1 - PG 11 | 110 | 83893001 |
| NC + NC 2-pole contact NC + NC slow action | Qty 1 - PG 11 | 110 | 83893010 |
| NC + NO + NO 3-pole contact 1 NC + 2 NO (bbm) slow action | Qty 2 - PG 11 | 160 | 83893120 |
| NC + NC + NO 3-pole contact 2 NC + 1 NO (bbm) slow action | Qty 3 - PG 11 | 160 | 83893130 |

Accessories

| Type of Key | Part Number |
|--------------|---------------------------------|
| Straight key | 79214581 |

Miniature Plastic Key Lock Limit Switches Series 83 893 0 / 83 893 1 IP 67

- Key-operated safety interlock switches for monitoring the moving cover
- Plastic bodies and heads
- Heads have 4 possible positions
- Positive opening contacts



General characteristics

Environment

| | | |
|-------------------------|--------------------|-------------------------------------------------------------------------------------|
| Conforming to standards | Products | IEC 947-5-1, EN 60 947-5-1, UL 508, CSA C22-2 no.14, JIS C4520 (See P. 2/2 and 2/3) |
| | Machine assemblies | IEC 204-1, EN 60 204-1, EN 1088, EN 292 |
| Certifications | | UL, CSA |
| Protective treatment | | In normal operation: "TC" |
| Temperature | Use | -25°C, +70°C |
| | Stored | -40°C, +70°C |
| Vibration resistance | | 5 gn (10...500 Hz) according to IEC 68-2-6 |
| Shock resistance | | 10 gn (duration 11 ms) according to IEC 28-2-27 |
| Degree of protection | | IP 67 according to IEC 529 and IEC 947-5-1 |
| Cable entry | | Cable gland 11 |

Electrical characteristics

| | |
|----------------------------------|----------------------------------------------------------------------------------------------------------------------------|
| Assigned working characteristics | AC 15 A 300 Ue = 240 V, Ie = 3A or Ue = 120 V, Ie = 6 A DC 13 Q 300 Ue = 250 V, Ie = 0.27 A or Ue = 125 V, Ie = 0.55 A |
| Assigned insulation voltage | Ui = 500 V according to IEC 947-5-1 Ui = 300 V according to UL 508, CSA C22-2 no. 14 |
| Assigned impulse voltage | Uimp = 6 KV acc. to IEC 947-5-1 |
| Thermal rating | Ithe = 10 A according to IEC 947-5-1 |
| Electric shock protection | Class 2 according to IEC 536 |
| Resistance between terminals | 30 m according to IEC 954-5-4 |
| Short-circuit protection | Cartridge fuse 10 A gG (gl) |
| Connection | Screw clamp terminals Clamping capacity min. 1 x 0.5 mm ² , max. 1.5 mm ² with or without ferrule |
| Electrical life | According to IEC 947-5-1 appendix C |

Part numbers




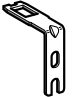

Type of contact

| | | |
|----------|-----------------------------------------------------|-------------------|
| NC+NO | 2-pole contact NC+NO break before make, slow action | 83 893 001 |
| NC+NC | 2-pole contact NC+NC, slow action | 83 893 010 |
| NC+NO+NO | 3-pole contact NC+NO+NO (2 NO bbm) + slow action | 83 893 120 |
| NC+NC+NO | 3-pole contact NC+NC+NO (NO bbm) + slow action | 83 893 130 |

Additional characteristics

| | | |
|-------------------------------------------|-------------------------------|-------------------------------|
| Maximum actuation speed | 0.5 m/s | 0.5 m/s |
| Minimum actuation speed | 0.01 m/s | 0.01 m/s |
| Resistance to removal of key | 10 N | 10 N |
| Mechanical life | 1 million operating cycles | 1 million operating cycles |
| Maximum operating frequency | 600 operating cycles per hour | 600 operating cycles per hour |
| Minimum positive opening force | 15 N | 15 N |
| Pg 11 cable entry according to NFC 68 300 | 1 | 2 |
| Thermal rating (Ith) | 10 A | 10 A |
| Assigned insulation voltage (Ui) | 500 V | 500 V |
| Weight | 0.110 kg | 0.160 kg |

Accessories

| | | |
|--------------------------------|---------------------------------------------------------------------------------------|-------------------|
| Straight key |  | 79 214 581 |
| Key with wide fixing bar |  | 79 214 582 |
| Short key with wide fixing bar |  | 79 214 585 |
| Angled key |  | 79 214 584 |
| Flexible key |  | 79 214 583 |

To order, specify:

Standard products

1

Part number

2

Accessory

Example: Safety limit switch 83 893 001 - Straight key 79 214 581

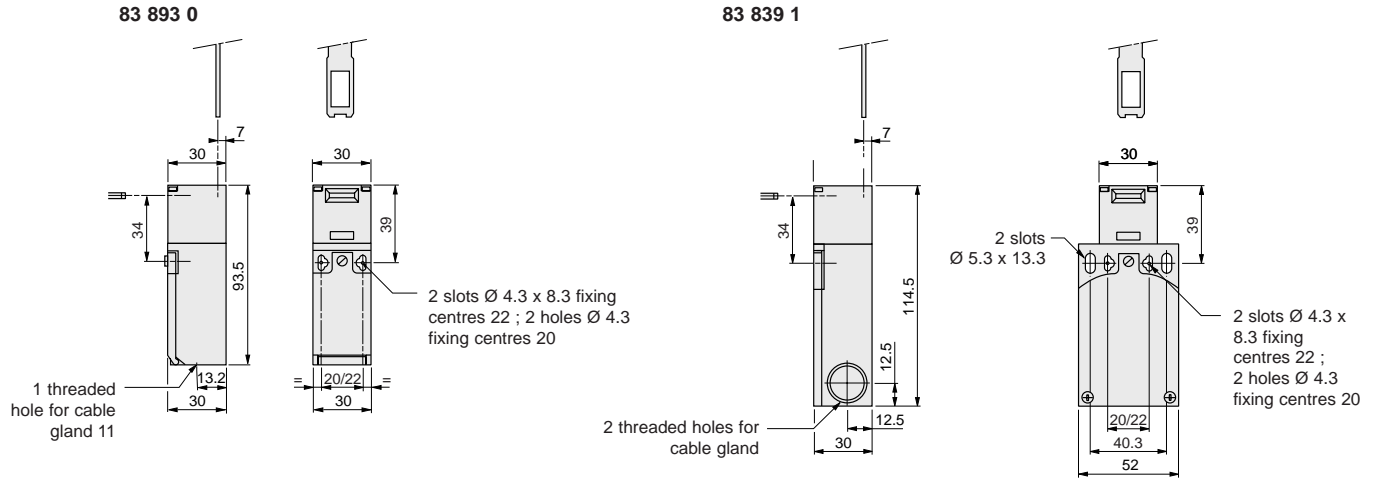
Standard products, non stocked

2

Accessory

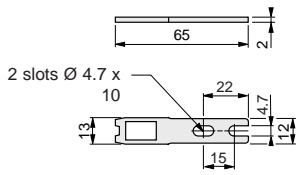
Example: Straight key 79 214 581

Dimensions

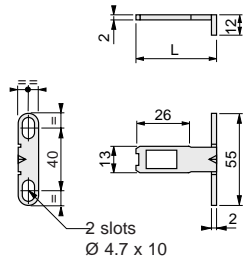


Accessories

79 214 581

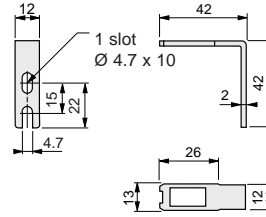


79 214 582 / 585

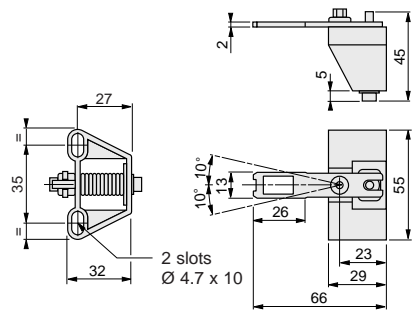


| Types | Dimension L (mm) |
|------------|------------------|
| 79 214 582 | 40 |
| 79 214 585 | 29 |

79 214 584



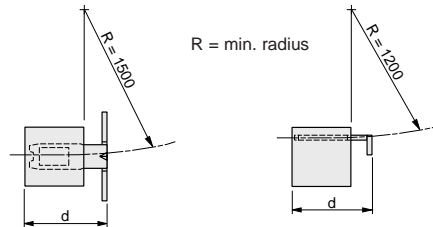
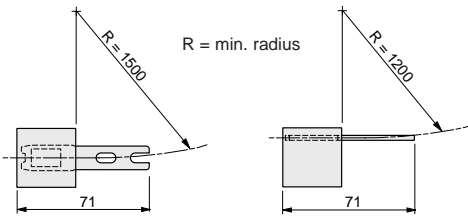
79 214 583



Operating radius

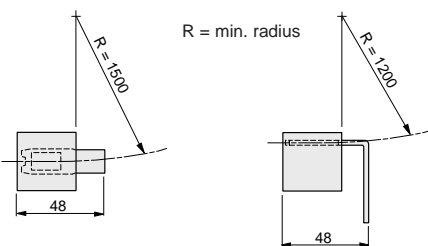
79 214 581

79 214 582 / 585

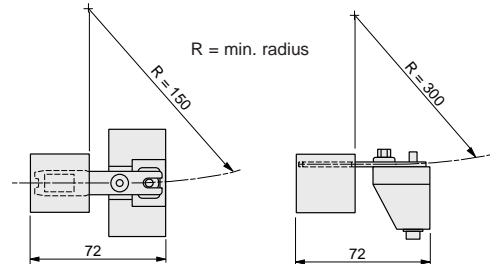


| Types | Dimension d (mm) |
|------------|------------------|
| 79 214 582 | 46 |
| 79 214 585 | 35 |

79 214 584



79 214 583



Other information