

Positive Break	Metal bodies and actuator head	Independent Snap NC+NO	<a href="#"><b>83862201</b></a>
Positive Break	Metal bodies and actuator head	Dependent Action NC+NO	<a href="#"><b>83862211</b></a>

**Rotary Head, Momentary Action with Lever and Plastic Roller 022**  
4 Positions - 90 degrees IP66

<u>Features</u>	<u>Housing</u>	<u>Action</u>	<u>Part Number</u>
022 Offset 43.5 Positive Break	Metal bodies and actuator head	Independent Snap NC+NO	<a href="#"><b>83862301</b></a>
022 Offset 43.5 Positive Break	Metal bodies and actuator head	Dependent Action NC+NO	<a href="#"><b>83862311</b></a>

**Rotary Head, Momentary Action with Lever and Plastic Roller 019**  
4 Positions - 90 degrees IP66

<u>Features</u>	<u>Housing</u>	<u>Action</u>	<u>Part Number</u>
019 Offset 56 Positive Break	Metal bodies and actuator head	Independent Snap NC+NO	<a href="#"><b>83862302</b></a>
019 Offset 56 Positive Break	Metal bodies and actuator head	Dependent Action NC+NO	<a href="#"><b>83862312</b></a>

**Rotary Head, Momentary Action with Lever and Plastic Roller 050**  
4 Positions - 90 degrees IP66

<u>Features</u>	<u>Housing</u>	<u>Action</u>	<u>Part Number</u>
050 Offset 50.5 Positive Break	Metal bodies and actuator head	Independent Snap NC+NO	<a href="#"><b>83862305</b></a>
022 Offset 50.5 Positive Break	Metal bodies and actuator head	Dependent Action NC+NO	<a href="#"><b>83862315</b></a>

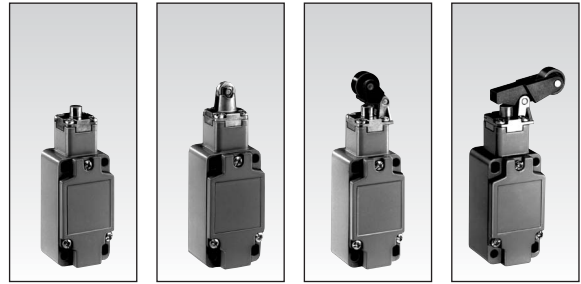
**Rotary Head, Momentary Action with Lever and Plastic Roller 050**  
4 Positions - 90 degrees IP66

<u>Features</u>	<u>Housing</u>	<u>Action</u>	<u>Part Number</u>
050 Offset 53.5 Positive Break	Metal bodies and actuator head	Independent Snap NC+NO	<a href="#"><b>83862306</b></a>
050 Offset 53.5 Positive Break	Metal bodies and actuator head	Dependent Action NC+NO	<a href="#"><b>83862316</b></a>

**Rotary Head, Momentary Action with Lever and Plastic Roller 022**  
4 Positions - 90 degrees IP66

<u>Features</u>	<u>Housing</u>	<u>Action</u>	<u>Part Number</u>
022 Offset 36 or 48 Positive Break	Metal bodies and actuator head	Independent Snap NC+NO	<a href="#"><b>83862303</b></a>
022 Offset 36 or 48 Positive Break	Metal bodies and actuator head	Dependent Action NC+NO	<a href="#"><b>83862313</b></a>

# Industrial Limit Switches Series 83 862 EN 50041

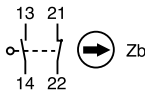


**Conform to the following standards :**  
 EN 50041, IEC 947-5-1, VDE 0660/200  
 UL 508, CSA C22.2 No.14  
 IEC 536-1, EN 60204-1, NFC 20030  
 class I

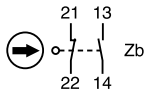
**Degree of protection :** IP 66

**Function :** Four-terminal double break contact element (form Zb) with positive opening NC contacts.  
 The two moving contacts are electrically isolated from one another.

**Principle :**  
 Independent snap action contact  
 1 NO + 1 NC



**Dependent action**  
 1 NO + 1 NC



Break before make

**Electrical characteristics :**

Assigned insulation voltage (Ui) : 500 V  
 Thermal rating (Ith) : 10 A  
 Use category : A300 - Q300  
 AC15 = 6A/250 V - 1.9 A / 380 V  
 DC 13 = 3A/24 V

**Short circuit test** (under IEC 947.5.1 § 8.3.4)  
 - Current peak 1000 A  
 at 250 V - 0.5 < cos φ < 0.7  
 - Short circuit protection (SCPD) : fuse 10 A gF  
 - Electrical protection by internal earth terminal

**Connections :**  
 Saddle washer and M 3.5 screw  
 Max. wire cross-section : 2 x 1.5 mm<sup>2</sup> or 2.5 mm<sup>2</sup>

**Connection :**  
 1/2" NPT

**Approvals :**  
 UL listed A300 - Q300 - CSA A300 - Q300

**Types**

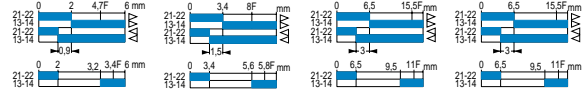
	83 862 011	83 862 511	83 862 111	83 862 211
Dependent action NC + NO	83 862 011	83 862 511	83 862 111	83 862 211
Independent snap action NC + NO	83 862 001	83 862 501	83 862 101	83 862 201
Control mechanisms - adjustable actuator heads 4 positions 90°	•	•	•	•
Steel plunger	•			
Plunger with steel roller		•		
Lever with vertical plastic roller			•	
Lever with lateral plastic roller				•

**Rotary head, momentary action to clockwise and/or anti-clockwise (1)**

	83 862 011	83 862 511	83 862 111	83 862 211
Ø 22 offset 43.5				
With lever and plastic roller				
Ø 19 offset 56				
offset 50.5				
offset 57				
With adjustable lever and plastic roller				
Ø 22 offset 36 or 48				
offset 49				
adjustable offset 57 to 73				
With adjustable polyamide rod actuator				
Flexible metal lever				
Independent snap action				

**Sequence**

Dependent action



Positive break operation



**Mechanical characteristics**

Minimum operating force	N (oz.)	10 (35.5)	10 (35.5)	9 (31.7)	9 (31.7)
Minimum total travel force	N (oz.)	12 (42.3)	12 (42.3)	10 (35.3)	10 (35.3)
Minimum positive opening travel	N (oz.)	25 (88.2)	25 (88.2)	20 (70.5)	20 (70.5)
Minimum operating travel	mm (in.)	5 (.2)	5 (.2)	5 (.2)	5 (.2)
Minimum positive opening travel	mm (in.)	6 (.24)	6 (.24)	6.5 (.26)	6.5 (.26)
Differential travel	mm (in.)	1.5 (.06)	1.5 (.06)	1.5 (.06)	1.5 (.06)
Max. total travel	mm (in.)	6 (.24)	6 (.24)	6 (.24)	6 (.24)
Mechanical life (millions of operations) mini.		15	15	15	15
Temperature Use	°C (°F)	-25+80(-13+176)	-25+80(-13+176)	-25+80(-13+176)	-25+80(-13+176)
limits Stored	°C (°F)	-40+80(-40+176)	-40+80(-40+176)	-40+80(-40+176)	-40+80(-40+176)
Degree of protection		IP 66	IP 66	IP 66	IP 66
Weight	g (oz.)	305 (10.76)	315 (11.11)	320 (11.28)	325 (11.46)

(1) Action either right or left according to position of head

**Accessories**

Cover with status indicator (supplied loose)	24.30 V ~	79 250 290
	220 V ~	79 250 291

**Replacement contact block**

Part number	Configuration	Function
83157401	SPDT	<STD>
83157402	SPDT	Break before make
83157403	SPDT	Make before break
83157404	2 NO	DPST - Normally open
83157405	2 NC	DPST - Normally closed

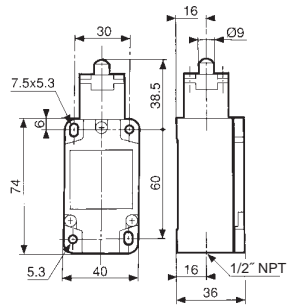
**Other information**

For other contact types and accessories or special modes of operation : please consult us.  
 For dimensions see page 3/39.

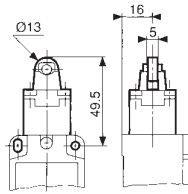


# Dimensions of 83 862 EN 50041

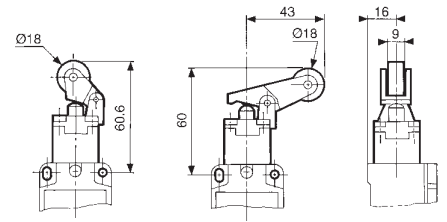
83 862 001/011



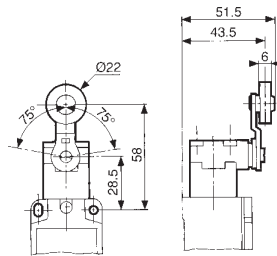
83 862 501/511



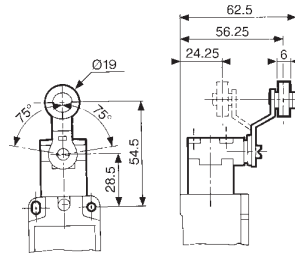
83 862 101/111 – 201/211



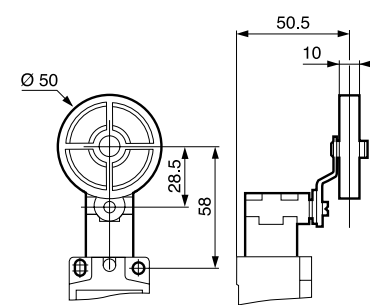
83 862 301/311



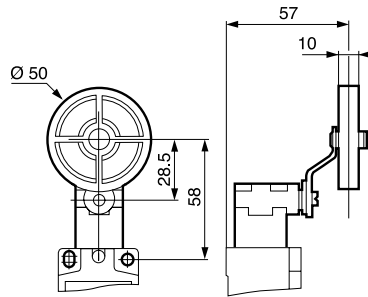
83 862 302/312



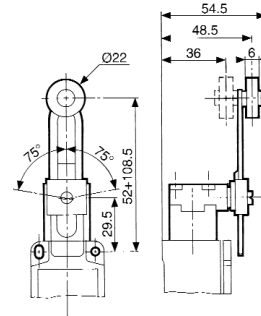
83 862 305/315



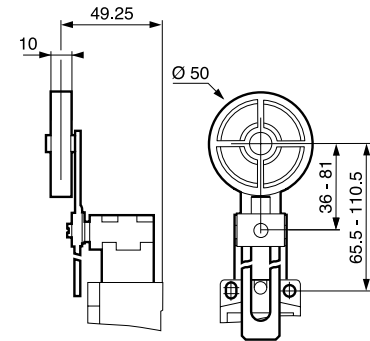
83 862 306/316



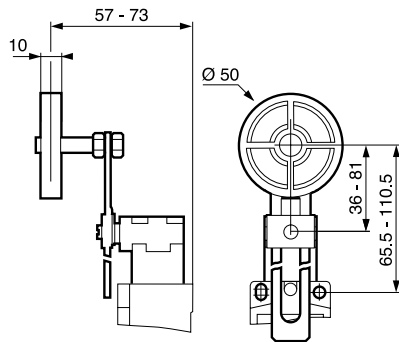
83 862 303/313



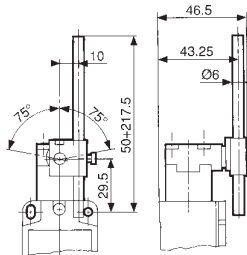
83 862 307/317



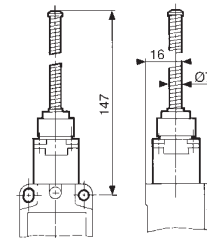
83 862 308/318



83 862 304/314



83 862 601/611



mm