

[Part Number Search](#)[Home](#)[Company Overview](#)[Products](#)[Technical Help](#)[Contact Us](#)[Legal](#)[Order - On-Line,
Application Notes,
On-Line Services](#)**MOTORS**

[Brushless DC](#)
[Synchronous](#)
[Stepping](#)
[Hybrid Stepper](#)
[Induction](#)
[Brushed DC](#)
[Linear](#)

CONTROLLERS**CAPACITORS**

SYNCHRONOUS MOTOR FAMILY

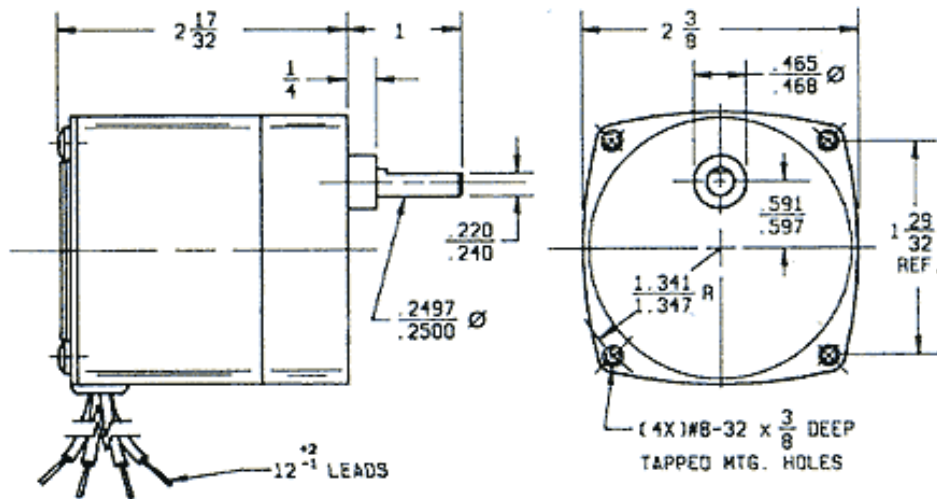
Series T Geared Synchronous Motor



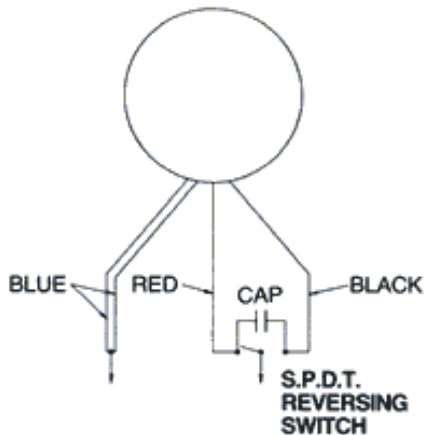
Reversible, permanent magnet synchronous series T geared motors are available in a wide range of speeds. The gear trains are the most rugged with a maximum recommended loading of 250 ounce inches at 1 RPM. All gears are hobbled to AGMA 7 quality. Pinions are extruded from a special steel with a modified long addendum tooth form to provide higher strength. Pinions are held to the same AGMA 7 quality level as the gears. Both pinion and gear teeth are case hardened for wear resistance and rotate upon hardened and ground steel studs.

Standard motors are 115V, 60Hz but other voltages may be specified. Sleeve bearings are standard. Capacitors are required for operation and must be used in the circuit even if the motor is used in a unidirectional mode.

T, TA Geared



Wiring Diagram



Current applied to the blue and red leads produces CW rotation. Switching the current to the blue and black leads produces CCW rotation.

[Change to Metric](#)

[View Printable Format \(Data Sheet\)](#)

[View Printable Format \(Parts Table\)](#)

To purchase one of the motors listed below, you must be logged into your MyHurst account, then simply click the part number to add the item to your Shopping Cart!

Model	Part Number	Reduction	Rated Torque @ 175 p/s (oz-in)	Holding Torque (oz-in)	Detent Torque (oz-in)	Output Speed (RPM)	Maximum gear train loading	Input Power (watts)	Voltage (VAC) 50HZ	Voltage (VAC) 60HZ	Capacitor Value (mfd)	Capacitor not supplied	Shaft bearing	Weight (oz)	Hi-Torque Rotor
T	2602-039	1200	250			0.25		7		115	0.68		sleeve	27	
T	2602-034	600	250			0.5		7		115	0.68		sleeve	27	
T	2602-001	300	250			1	X	7		115	0.68		sleeve	27	
T	2602-055	250	250			1		6	220		0.18 440VAC +/-10%	X	sleeve	27	
T	2602-002	200	240			1.5		7		115	0.68		sleeve	27	
T	2602-004	150	233			2	X	7		115	0.68		sleeve	27	
T	2602-020	125	233			2		6	115		0.68		sleeve	27	
T	2602-053	125	233			2		6	230		0.18 440VAC +/-5%	X	sleeve	27	
T	2602-074	150	233			2		7		230	0.18 440VAC +/-5%	X	sleeve	27	
T	2602-090	125	233			2		6	220		0.18 440VAC +/-10%	X	sleeve	27	
T	2602-084	100	228			2.5		6	220		0.18 440VAC +/-10%	X	sleeve	27	
T	2602-005	100	224			3	X	7		115	0.68		sleeve	27	
T	2602-012	75	218			4	X	7		115	0.68		sleeve	27	
T	2602-046	75	218			4		7		220	0.18 440VAC +/-10%	X	sleeve	27	
T	2602-056	240	218			4		6	220		0.18 440VAC +/-10%	X	sleeve	27	
T	2602-076	75	218			4		7		230	0.18 440VAC +/-5%	X	sleeve	27	
T	2602-079	62.5	218			4		6	230		0.18 440VAC +/-5%	X	sleeve	27	
T	2602-093	75	218			4		7		24	15 100VDC +/-10%	X	sleeve	27	
T	2602-017	60	215			5		7		115	0.68		sleeve	27	
T	2602-013	50	210			6	X	7		115	0.68		sleeve	27	

T	2602-043	50	210			6		7		220	0.18 440VAC +/-10%	X	sleeve	27	
T	2602-048	41.67	210			6		6	220		0.18 440VAC +/-10%	X	sleeve	27	
T	2602-073	50	210			6		7		240	0.15 440VAC +/-5%	X	sleeve	27	
T	2602-091	50	210			6		7		24	15 100VDC +/-10%	X	sleeve	27	
T	2602-006	30	180			10	X	7		115	0.68		sleeve	27	
T	2602-047	25	149			10		6	220		0.18 440VAC +/-10%	X	sleeve	27	
T	2602-057	30	180			10		7		220	0.18 440VAC +/-10%	X	sleeve	27	
T	2602-037	25	149			12		7		115	0.68		sleeve	27	
T	2602-007	20	120			15		7		115	0.68		sleeve	27	
T	2602-026	16.67	99			15		6	115		0.68		sleeve	27	
T	2602-072	16.67	99			15		6	220		0.18 440VAC +/-10%	X	sleeve	27	
T	2602-092	20	120			15		7		240	0.15 440VAC +/-5%	X	sleeve	27	
T	2602-082	16.67	99			18		7		115	0.68		sleeve	27	
T	2602-040	15	96			20		7		115	0.68		sleeve	27	
T	2602-008	12	77			25		7		115	0.68		sleeve	27	
T	2602-071	12	77			25		7		24	15 100VDC +/-10%	X	sleeve	27	
T	2602-080	10	64			25		6	230		0.18 440VAC +/-5%	X	sleeve	27	
T	2602-086	10	64			25		6	220		0.18 440VAC +/-10%	X	sleeve	27	
T	2602-014	10	64			30		7		115	0.68		sleeve	27	
T	2602-029	8.33	53			30		6	115		0.68		sleeve	27	
T	2602-045	8.33	53			30		6	220		0.18 440VAC +/-10%	X	sleeve	27	

T	2602-049	8.5	53			30		6	230		0.18 440VAC +/-5%	X	sleeve	27	
T	2602-083	10	64			30		7		24	15 100VDC +/-10%	X	sleeve	27	
T	2611-005	10	79			30		9.5		115	0.85		sleeve	27	X
T	2602-009	5	32			60		7		115	0.68		sleeve	27	
T	2602-030	0.06	26			60		6	115		0.68		sleeve	27	
T	2602-044	4.17	26			60		6	220		0.18 440VAC +/-10%	X	sleeve	27	
T	2602-070	5	32			60		7		220	0.18 440VAC +/-10%	X	sleeve	27	
T	2611-007	5	39.5			60		9.5		115	0.85		sleeve	27	X
T	2602-081	4.17	26.5			72		7		115	0.68		sleeve	27	
T	2602-010	3	19			100		7		115	0.68		sleeve	27	
T	2602-089	2.5	15.5			100		6	220		0.18 440VAC +/-10%	X	sleeve	27	
T	2602-015	2.5	16			120		7		115	0.68		sleeve	27	
T	2602-032	4.06	13			120		6	115		0.68		sleeve	27	
T	2602-042	2.5	13			120		6	230		0.18 440VAC +/-5%	X	sleeve	27	
T	2602-059	2.08	13			120		6	220		0.18 440VAC +/-10%	X	sleeve	27	
T	2611-010	2.5	19.75			120		9.5		115	0.85		sleeve	27	X
T	2611-019	2.5	18			120		10	220		0.22 440VAC +/-10%	X	sleeve	27	X
T	2602-011	2	13			150		7		115	0.68		sleeve	27	