

## DC geared motors with brushes - 0.5 Nm 3.9 Watts - 3.9 Watts

### Selling points of the range

A range of D.C. geared motors with ovoid gearbox.

- + Mechanical rating of gearbox with output shaft stalled : 0.5 Nm.
- + 3.9 Watt motor versions.
- + Available in either 12 or 24 V D.C.
- + Gearbox ratios options for 0.36 to 430 rpm.

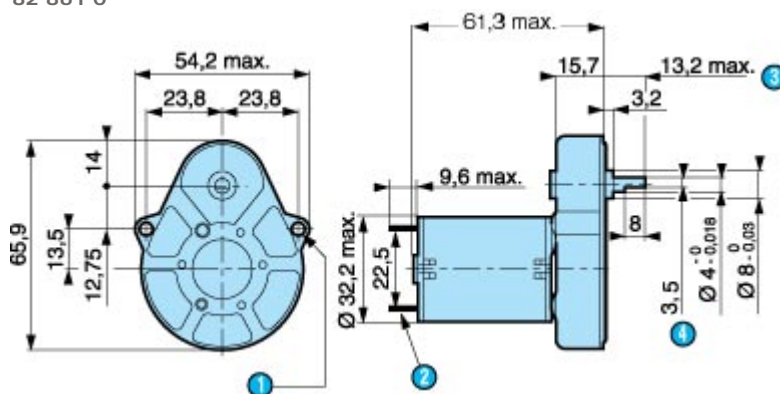


Part number characteristics	82 861 019
Type	82 861 0
Voltage	24 V
Standard speed (rpm)	4300
Output speed (rpm)	54
Ratios (i)	80
<b>General characteristics</b>	
Motor	82 860 0
Gearbox	81 021 0
Maximum permitted torque from gearmotor under continuous conditions (for 1 millions turns) Nm	0.5
Axial load static (daN)	1
Radial load static (daN)	8
Max. output (W)	3.9
Nominal output (W)	3
Gearbox case temperature rise (°C)	50
Weight (g)	160
<b>Product available</b>	<b>stocked item</b>

## General characteristics

### Dimensions

82 861 0

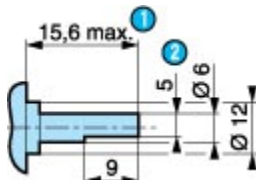


N° Legend

1	2 fixing holes Ø 3.2
2	2 tags NFC 20-120 series 2.8 x 0.5
3	(shaft pushed-in ←)
4	3.5 mm across flats

 Zoom

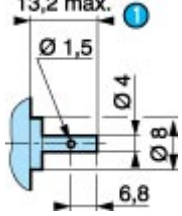
Shaft 70 999 421  
SP1295.10



N° Legend

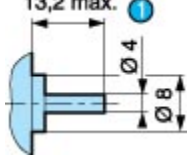
1	(shaft pushed-in ←)
2	5 across flat

Zoom  
Shaft 79 200 779  
13,2 max.



N°	Legend
1	(shaft pushed-in ←)

Zoom  
Shaft 79 200 967  
13,2 max.

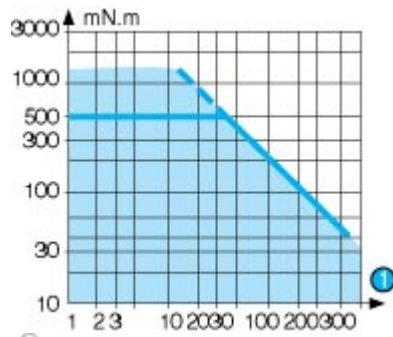


N°	Legend
1	(shaft pushed-in ←)

Zoom

## Curves

Nominal speed and torque curves



Zoom

N°	Legend
1	RPM